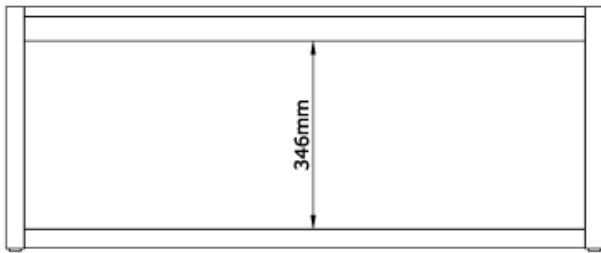
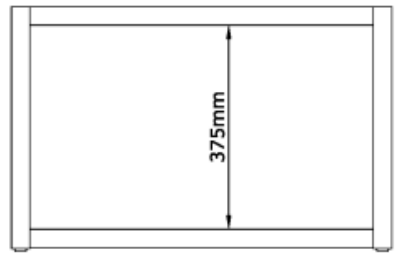
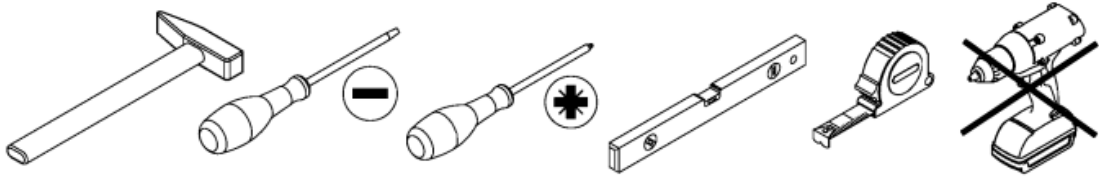



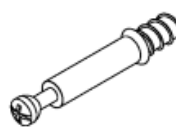
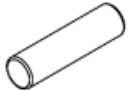



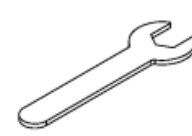
1100mm

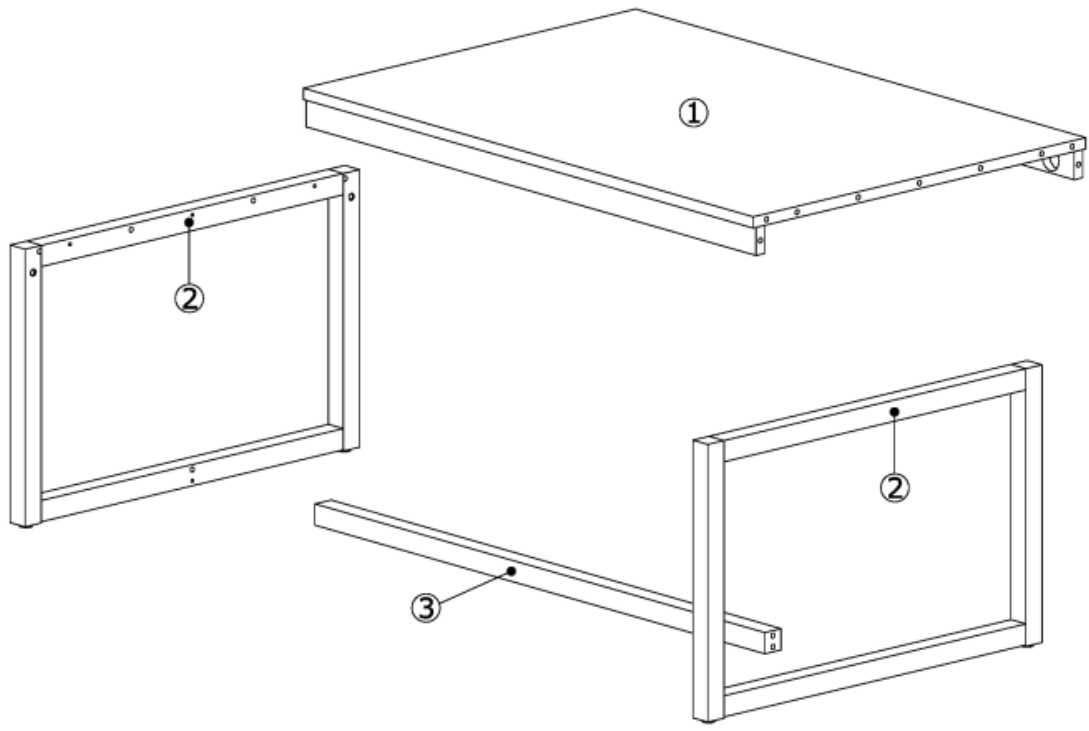


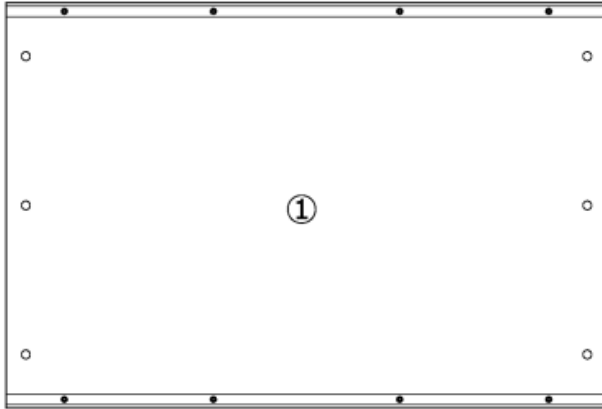
700mm





<p>Ax8</p>  <p>Ø15x11mm</p>	<p>Bx8</p>  <p>Ø7x44mm</p>	<p>Cx10</p>  <p>Ø8x30mm</p>	<p>Dx4</p>  <p>M6x70mm</p>
<p>Ex4</p>  <p>25x12x6mm</p>	<p>Fx4</p>  <p>M6/10mm</p>	<p>Hx1</p>  <p>10mm</p>	

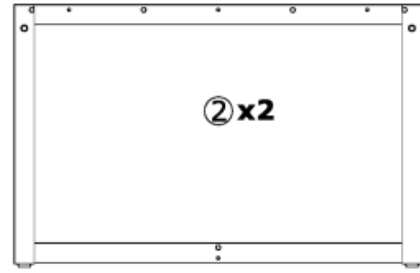




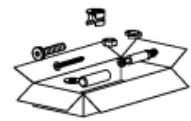
1032x698x63mm



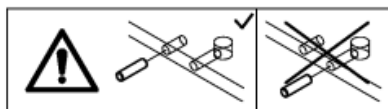
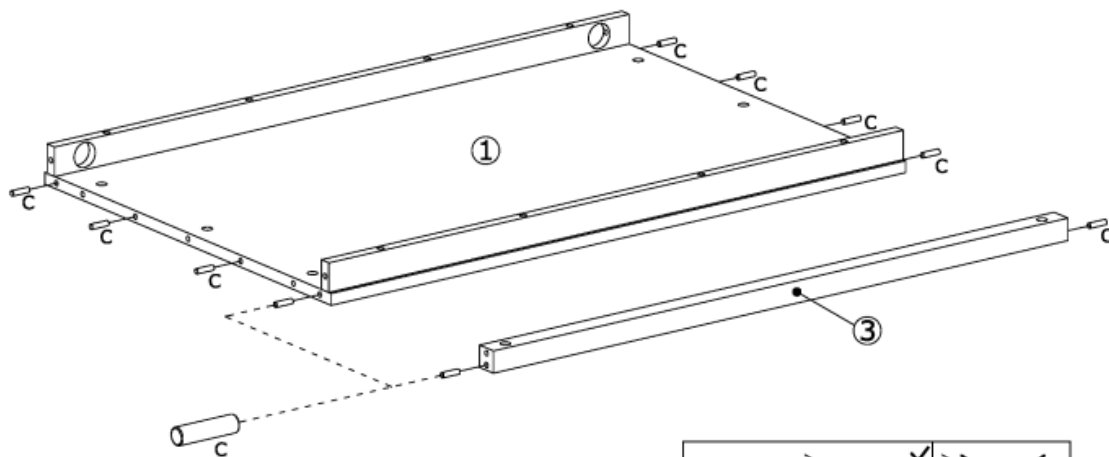
1032x34x34mm



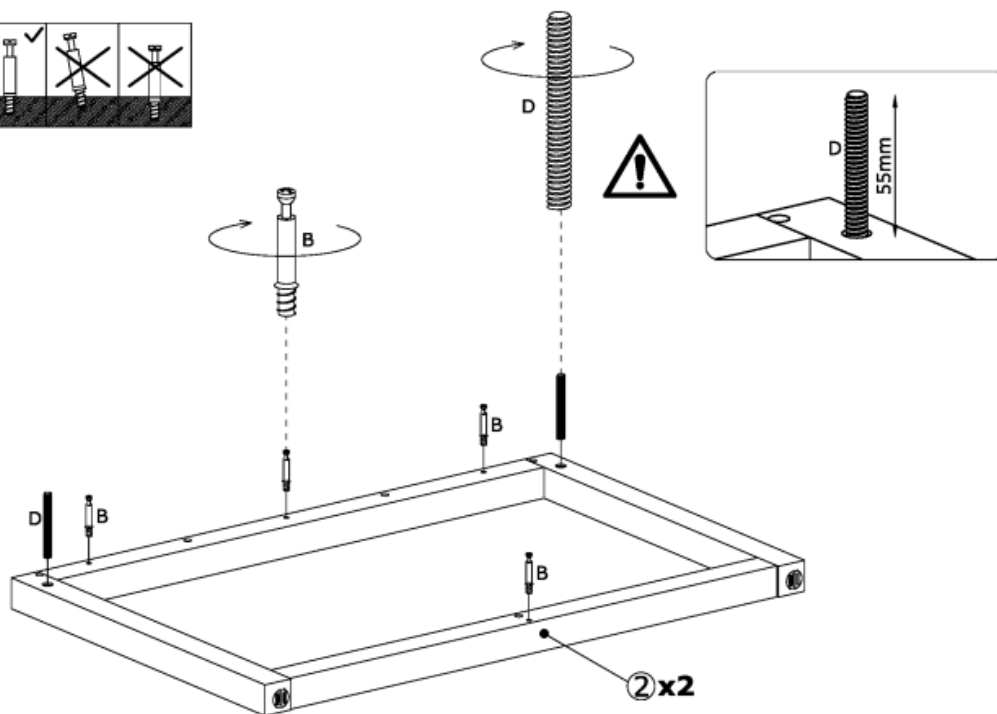
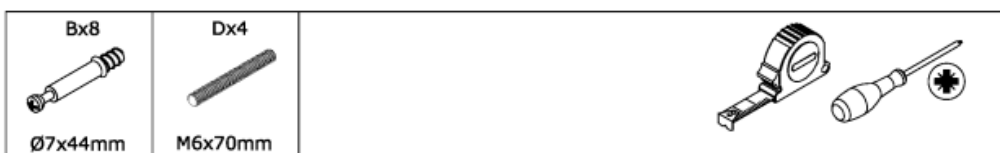
700x445x34mm



1

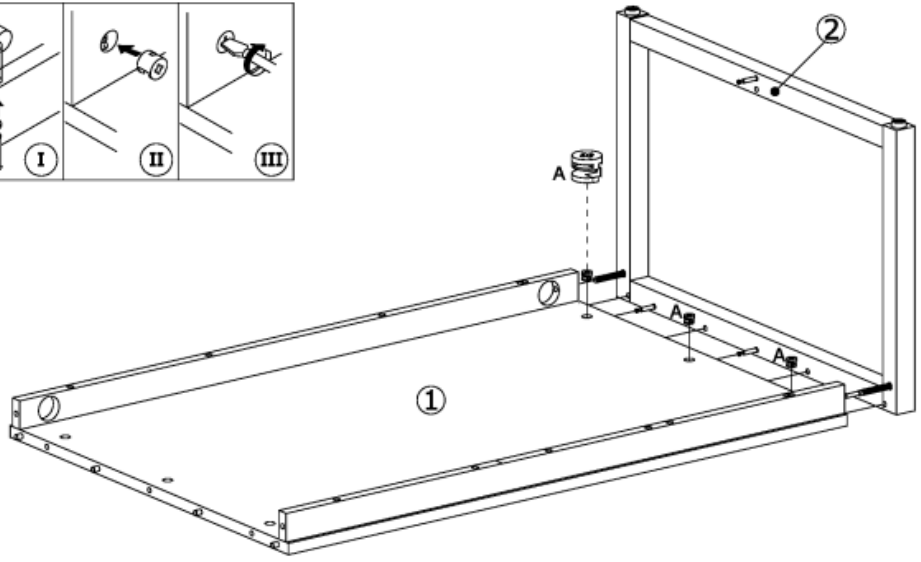
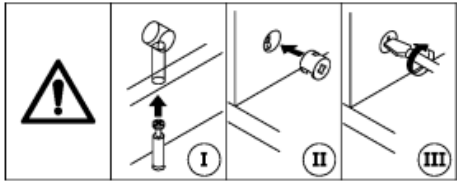


2



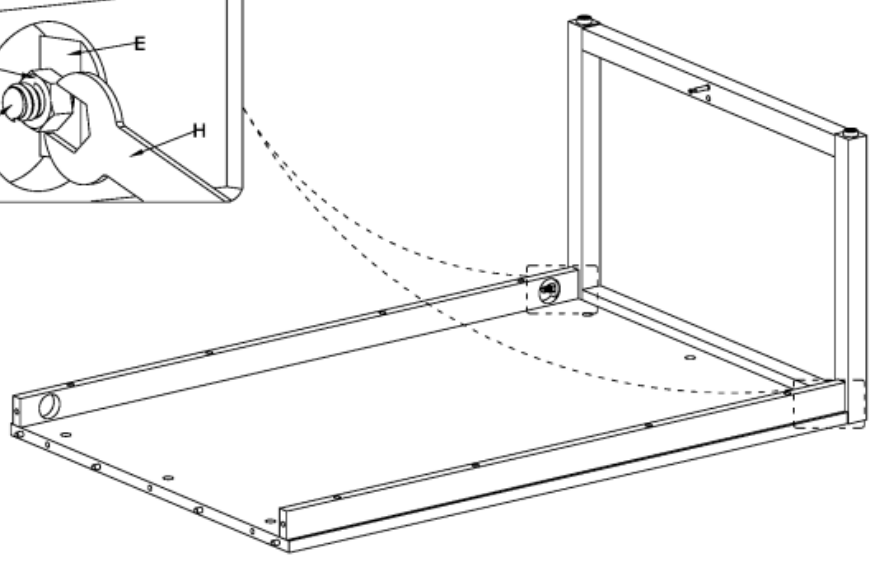
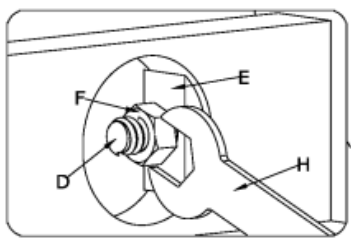
3

Ax3  Ø15x11mm	
------------------------------------------------------------------------------------------------------	-------------------------------------------------------------------------------------



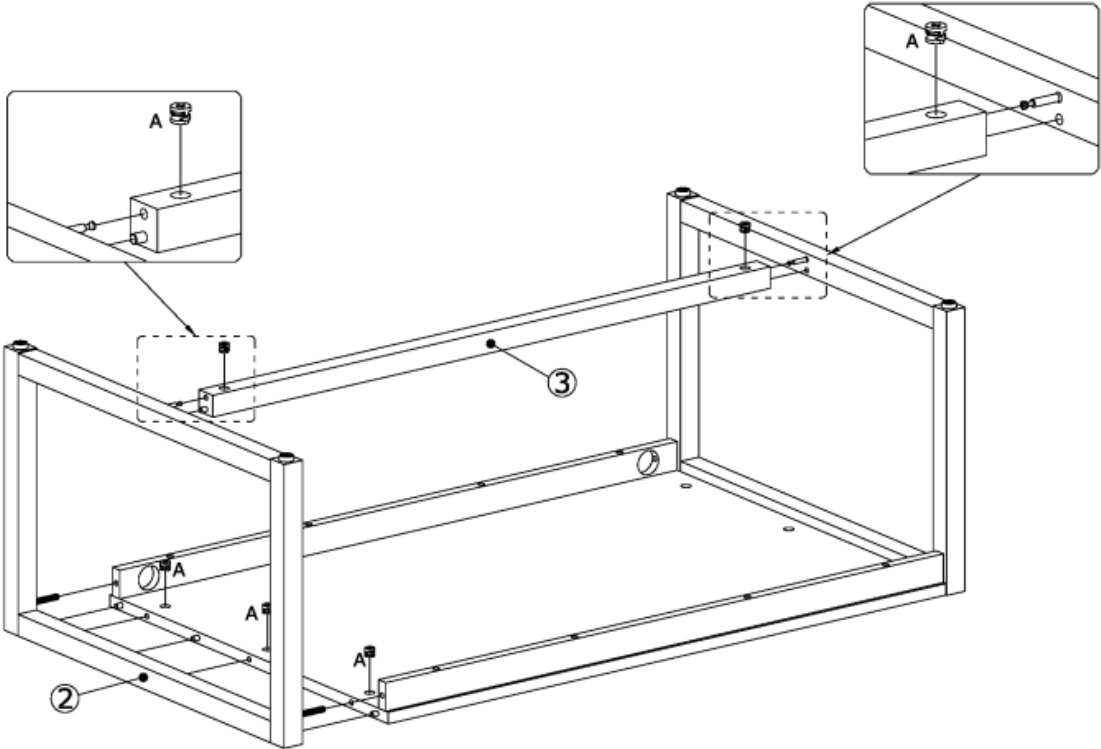
4

Ex2  25x12x6mm	Fx2  M6/10mm	Hx1  10mm
---------------------------------------------------------------------------------------------------------	-------------------------------------------------------------------------------------------------------	----------------------------------------------------------------------------------------------------



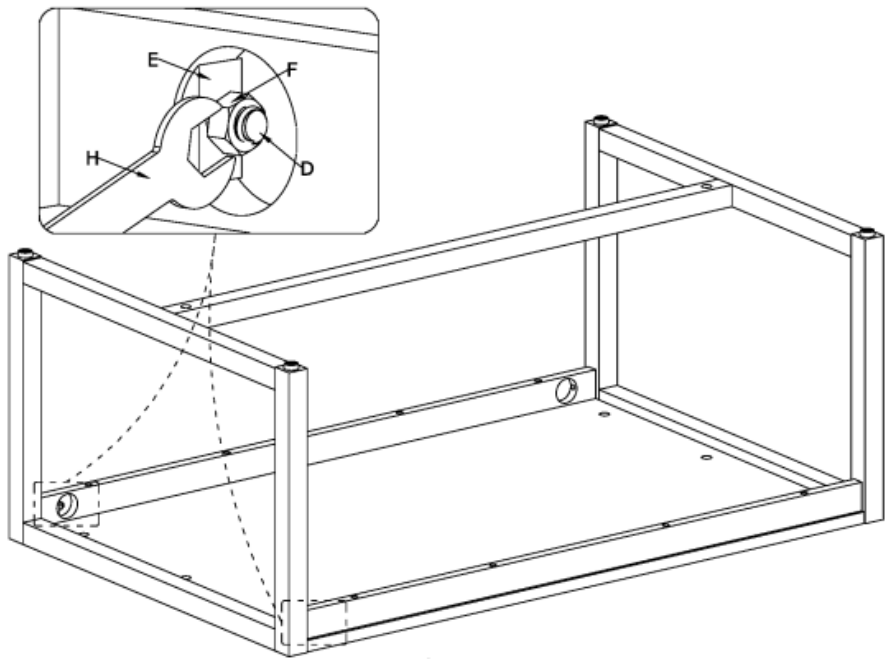
5

Ax5  Ø15x11mm		
------------------------------------------------------------------------------------------------------	--	-------------------------------------------------------------------------------------

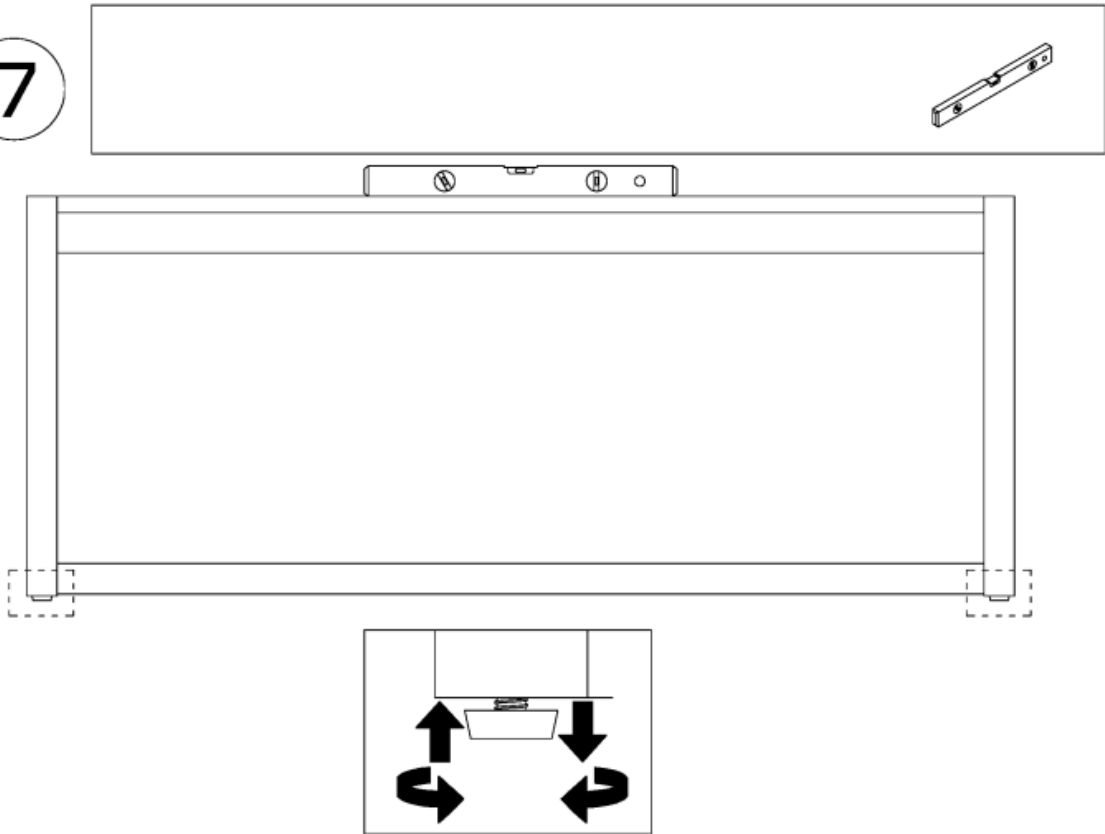


6

Ex2  25x12x6mm	Fx2  M6/10mm	Hx1  10mm	
---------------------------------------------------------------------------------------------------------	-------------------------------------------------------------------------------------------------------	----------------------------------------------------------------------------------------------------	--



7



8

