



# WIRELESS POWERBANK **VIEWSECURE PRO**

## USER MANUAL

USER MANUAL | MODE D'EMPLOI | MANUAL DE INSTRUCCIONES | MANUALE D'ISTRUZIONI



**DIRECTLY TO THE SHOP**  
VIA QR CODE

**VEGA SOLUTIONS GMBH**  
BELGISCHE ALLEE 51A  
53842 TROISDORF - GERMANY  
INFO@VSG24.COM | WWW.VSG24.COM

Dear Customer,

Thank you for choosing the Wireless Powerbank from VSG24.com!

For optimal performance and safety, please read this user manual carefully before using the device, and keep it in a safe place for future reference.

Be sure to follow all safety instructions and warnings associated with this device!

The illustrations shown in this manual are intended solely to help explain the various settings of your device. This manual is designed to give you a quick and easy introduction to using the product.

If you have any further questions, please feel free to contact us either by phone at **+49 2241/2008040** or by email at **info@vsg24.com**.

Or by post at:

**Vega Solutions GmbH - Belgische Allee 51A - 53842 Troisdorf - Germany**

We hope you enjoy using your new device!

Your VSG24.com Team



**DIRECTLY TO THE SHOP**  
VIA QR CODE

**VEGA SOLUTIONS GMBH**  
BELGISCHE ALLEE 51A  
53842 TROISDORF - GERMANY  
INFO@VSG24.COM | WWW.VSG24.COM

## **Viewsecure Pro – External Powerbank**

With the Viewsecure Pro model, you receive a premium power supply solution for your reversing camera systems – specifically designed for professional use in commercial vehicles, trailers, and motorhomes. The magnetic back enables quick mounting and flexible positioning.

In addition, the Viewsecure Pro features a rugged IP67-rated housing and intelligent control via remote. This provides maximum flexibility with outstanding reliability, making it ideal for outdoor use as well.

Please read this manual carefully and completely before operating the product.



**DIRECTLY TO THE SHOP**  
VIA QR CODE

**VEGA SOLUTIONS GMBH**  
BELGISCHE ALLEE 51A  
53842 TROISDORF - GERMANY  
INFO@VSG24.COM | WWW.VSG24.COM



DIRECTLY TO THE SHOP  
VIA QR CODE



**VEGA SOLUTIONS GMBH**  
BELGISCHE ALLEE 51A  
53842 TROISDORF - GERMANY  
INFO@VSG24.COM | WWW.VSG24.COM



**DIRECTLY TO THE SHOP**  
VIA QR CODE

**VEGA SOLUTIONS GMBH**  
BELGISCHE ALLEE 51A  
53842 TROISDORF - GERMANY  
INFO@VSG24.COM | WWW.VSG24.COM

## **Cleaning, Maintenance, and Repair: Important Information for the Safe Operation of Your Device**

### **Cleaning the Device**

Before starting any cleaning procedure, always disconnect the device from the power source by unplugging it or switching off the power supply.

Since the housing is primarily made of plastic, do not use liquid cleaners, sprays, or chemical cleaning agents such as benzene, as these may damage the material.

### **Recommended Cleaning Methods:**

**Light soiling:** Simply wipe the device with a soft, dry cloth.

**More stubborn dirt:** Use a slightly damp cloth with a mild, neutral cleaning solution. Then wipe the device with a dry cloth.

Important: Only clean the external surface of the device. Opening the housing is strictly prohibited, as dangerous high voltages may be present inside the device!



**DIRECTLY TO THE SHOP**  
VIA QR CODE

**VEGA SOLUTIONS GMBH**  
BELGISCHE ALLEE 51A  
53842 TROISDORF - GERMANY  
INFO@VSG24.COM | WWW.VSG24.COM



#### Switching the Powerbank On and Off

Press and hold the button on the front of the device for 3 seconds. Alternatively, you can use the on/off switch on the supplied remote control.

The status LED indicates the current battery level and turns off automatically after 5 seconds.

Pressing the power button again for 3 seconds or using the remote control will turn the powerbank off.

#### Displaying Battery Status

By briefly pressing the button during operation, you can check the current battery level.

The status indicator will light up according to the remaining charge and turn off again after 5 seconds.

If the battery level is low, the red LED will blink.

#### Charging the Powerbank

Use the included car cigarette lighter adapter to charge the device.

While the powerbank is connected to a power source, the status LED will blink in accordance with the current charge level.

Important: Simultaneous charging and discharging is not possible.

#### Mounting

The magnetic back allows for direct attachment to metallic surfaces – ideal for quick placement on vehicles, trailers, or for mobile use.

Alternatively, the device can be mounted using the included metal plates and screws – suitable for permanent installation.

The included 3M adhesive pads assist with quick attachment of the mounting plates, e.g. on plastic surfaces.

- HIGH-PERFORMANCE POWERBANK
- PORTABLE USE
- POWERFUL LI-ION BATTERY
- MAGNETIC MOUNTING

- IP67 WEATHER-RESISTANT
- SMART CONTROL
- EFFICIENT POWER CONSUMPTION
- COMPATIBLE WITH WIRELESS MONITOR & CAMERA



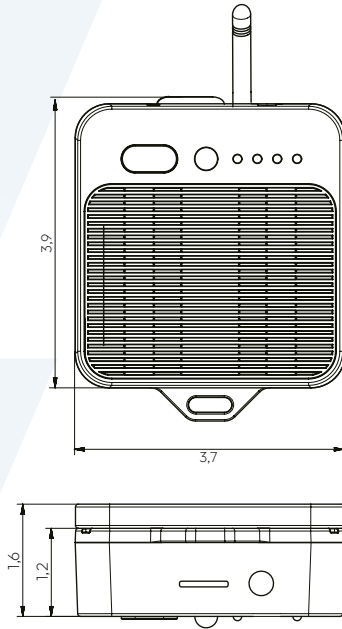
- 1 ANTENNA
- 2 STATUS INDICATOR
- 3 ON/OFF SWITCH
- 4 12V OUTPUT
- 5 5V OUTPUT
- 6 5V INPUT



DIRECTLY TO THE SHOP  
VIA QR CODE



**VEGA SOLUTIONS GMBH**  
BELGISCHE ALLEE 51A  
53842 TROISDORF - GERMANY  
INFO@VSG24.COM | WWW.VSG24.COM



Technical Specifications	Details
Output Voltage	12V / 0,8A
Operating Current	40 mA
Battery capacity	14400 mAh
Charging Current	5V / 2,6A (maximum)
Charging Time	~ 7,5 hours
Operating Time (Continuous Use)	12-18 hours
Operating Time (Standby)	36 Stunden
Charging cutoff voltage	4,19 V
Discharge Cut-off Voltage	3,0 V
Overcurrent Protection	yes
Short-Circuit Protection	yes
Charge and release simultaneously	not supported
operation temperature	-10°C bis +60°C
storage temperature	-20°C bis +60°C
Waterproof grade	IP67



**DIRECTLY TO THE SHOP**  
VIA QR CODE

**VEGA SOLUTIONS GMBH**  
BELGISCHE ALLEE 51A  
53842 TROISDORF - GERMANY  
INFO@VSG24.COM | WWW.VSG24.COM



# VSG24II<sup>®</sup>

DIRECTLY TO THE SHOP  
VIA QR CODE



**SERVICE**

**PROMISE**

**GUARANTEED**