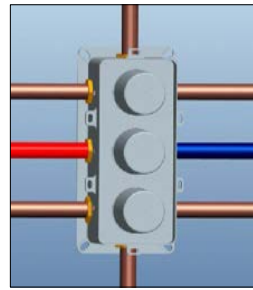
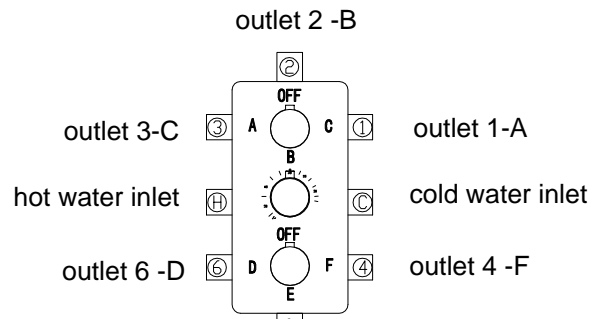


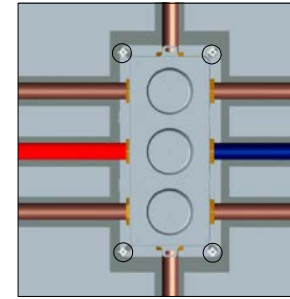
① the depth of hole is from 80 to 95mm



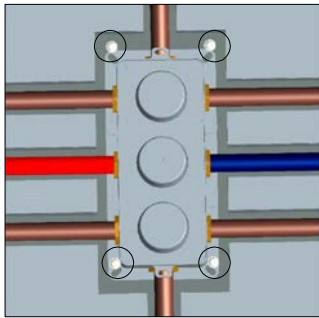
② connect water pipe with installation box



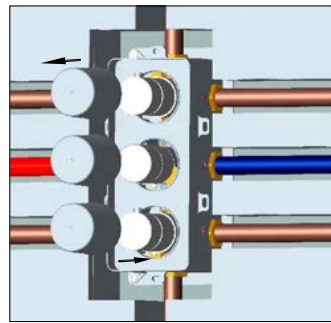
③ connect the pipe according to functions



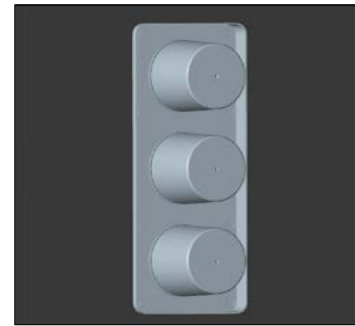
④ put the installation box, and drill holes on the wall, insert the plastic expansile screw



⑤ fix self-tapping screws



⑥ take out the three caps, install handles, do water testing make sure there is no leakage problem



⑦ uninstall the handles, and replace the caps, then cement up the wall



⑧ tile the wall



⑨ cut the bulged edge

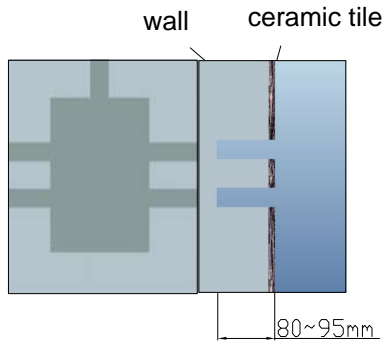


⑩ take out the caps, install the plate

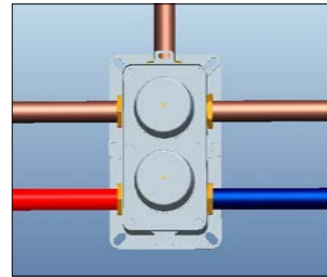


⑪ install the handles, lock screw, insure when it is OFF there is no leakage

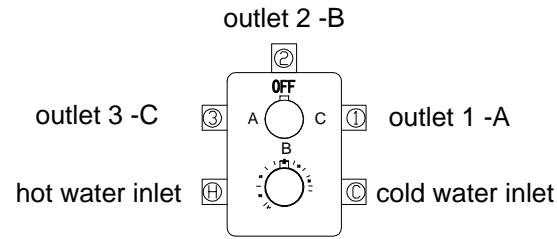
INSTALLATION MANUAL
LTA1001



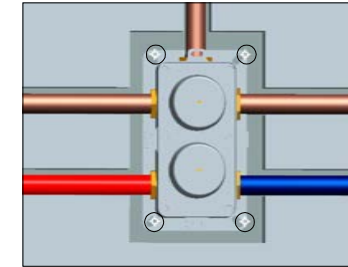
① slotting in the wall the depth of hole is from 80 to 95mm



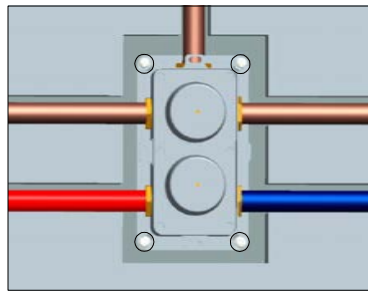
② put the installation box in the slot and connect water pipe



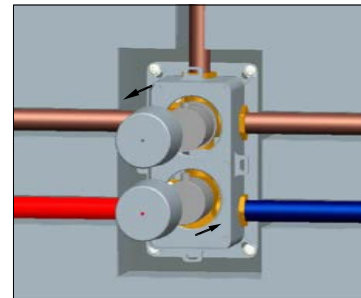
③ connect the pipes according to functions



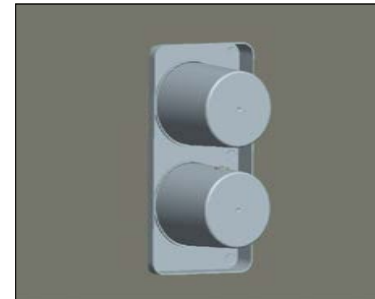
④ put the installation box, and drill holes on the wall, insert the plastic expansion screws



⑤ tight self-tapping screws



⑥ take out the two caps, install handles, do water testing make sure there is no leakage problem



⑦ uninstall the handles, and replace the caps, then cement up the wall



⑧ tile the wall



⑨ cut the bulged edge

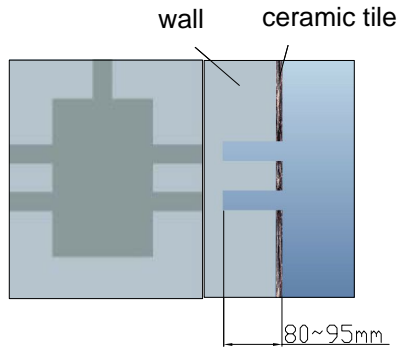


⑩ take out the caps, install the plate

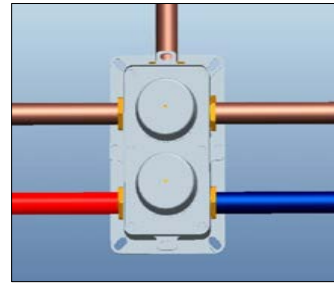


⑪ install the handles, lock screw of handles with inner hex key screw

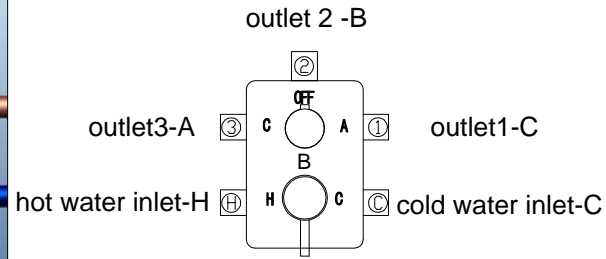
INSTALLATION MANUAL
LTA1002



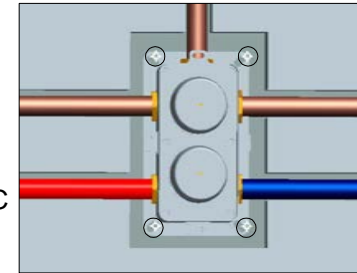
① the depth of hole is from 80 to 95mm



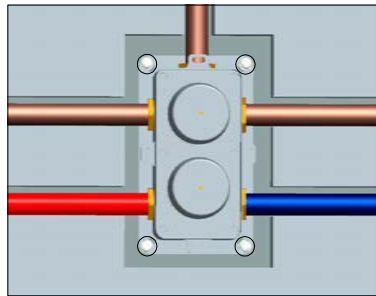
② connect water pipe with installation box



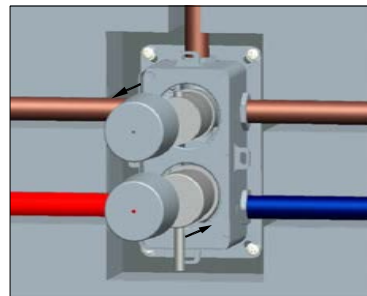
③ connect the pipe according to functions



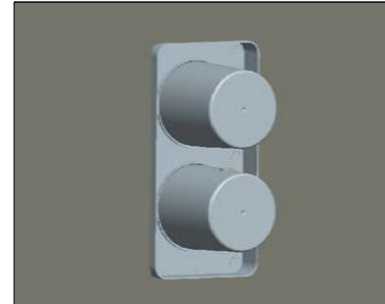
④ put the installation box, and drill holes on the wall, insert the plastic expansile screw



⑤ fix self-tapping screws



⑥ take out the two caps install handles, do water testing make sure there is no leakage problem



⑦ uninstall the handles, and replace the caps, then cement up the wall



⑧ tile the wall



⑨ cut the bulged edge



⑩ take out the caps, install the plate



⑪ install the handles, lock screw, insure when it is OFF there is no leakage

INSTALLATION MANUAL

LTA1003