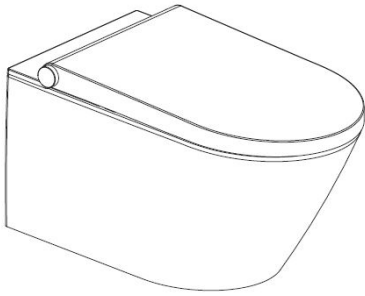




PRODUCT LIST



Remote Control



Threaded Stays M 12



Installation Manuel
Instruction Manuel



Remote Holder



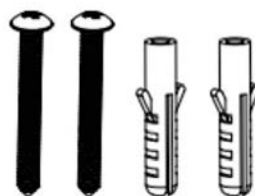
Nuts M 12



Screw Caps for Remote Holder



Plugs



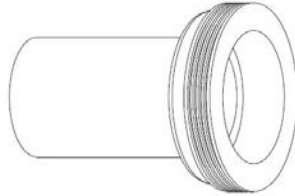
Screws / Wall Anchors - Remote
Holder



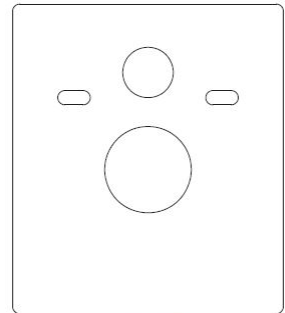
Washers



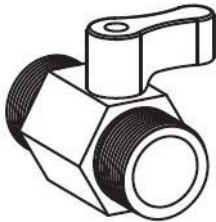
In-Flow Pipe and Seal Ring



Waste Pipe and Seal Ring



Insulation Pad



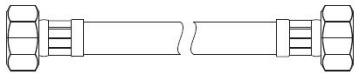
Ballvalve



Filter



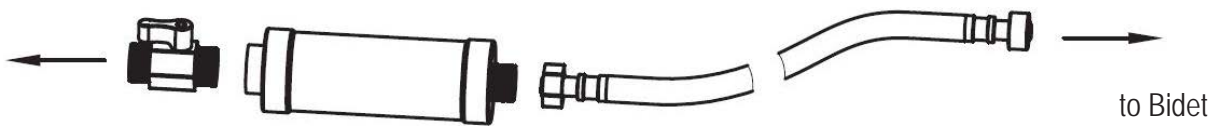
Steel Water Hose



A second steel hose G 1/2 inch ist is not included.

FILTER INSTALLATION

Water Supply



to Bidet

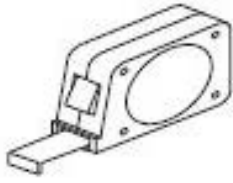
LIABILITY DECLARATION

The supplier is not liable for damages caused by negligence in the following areas:

1. This is an electronic device and must be grounded!
2. Persons with disabilities or small children should not be allowed to use this product without supervision.
3. Please use caution and follow all installation steps to avoid accidents.

Make sure there is proper ventilation.

TOOLS (NOT INCLUDED)



Measuring Tape



Pencil



Phillips Screwdriver



Flathead Screwdriver



Box Cutter



File



Adjustable Wrench

Insulation
Cutter

Drill



Drill Bit 6mm



Saw



Caulking Gun



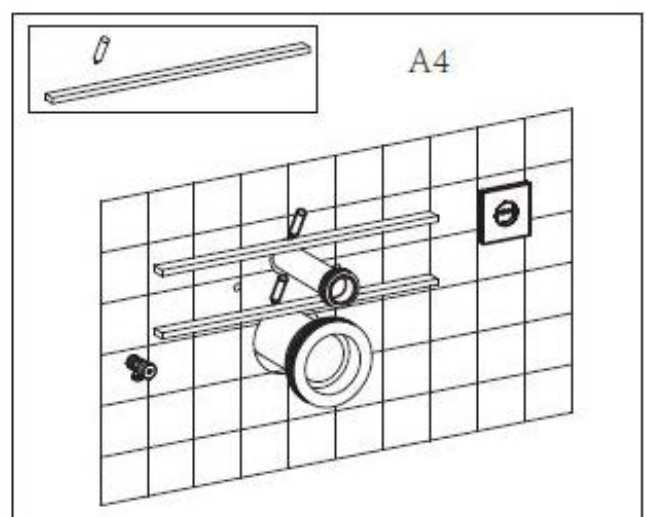
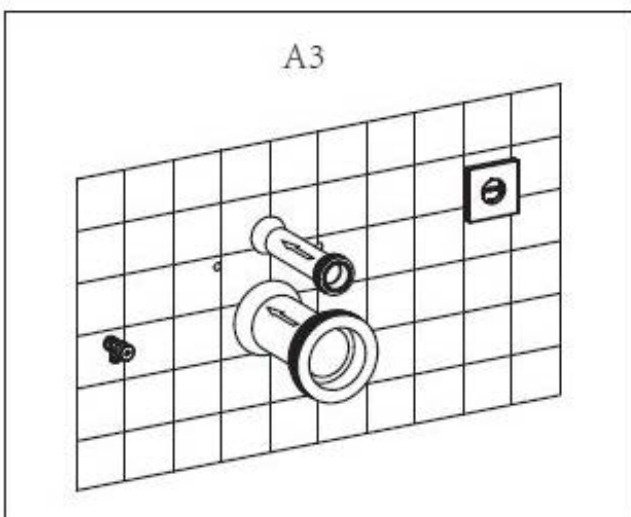
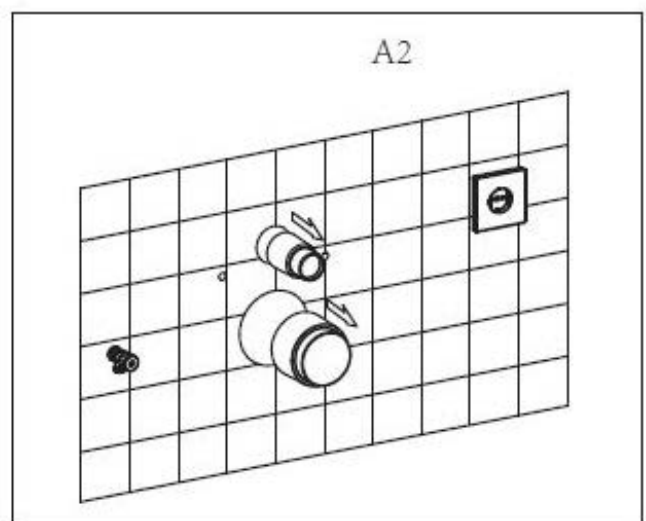
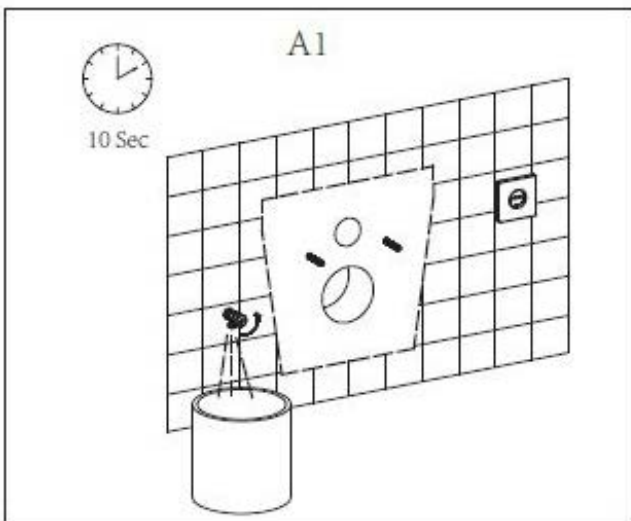
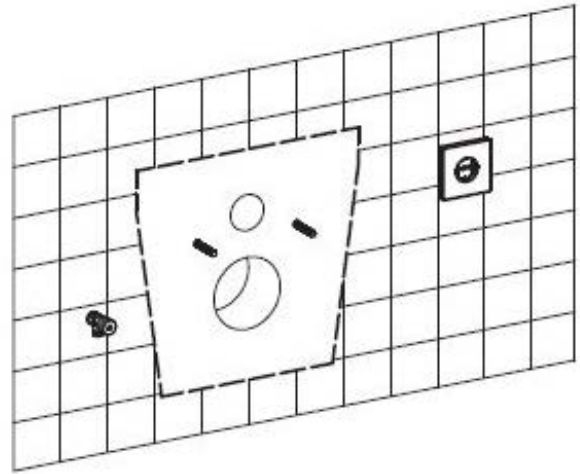
Ruler

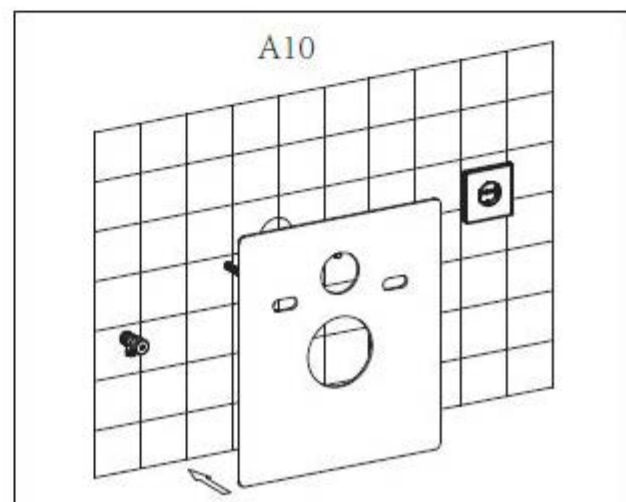
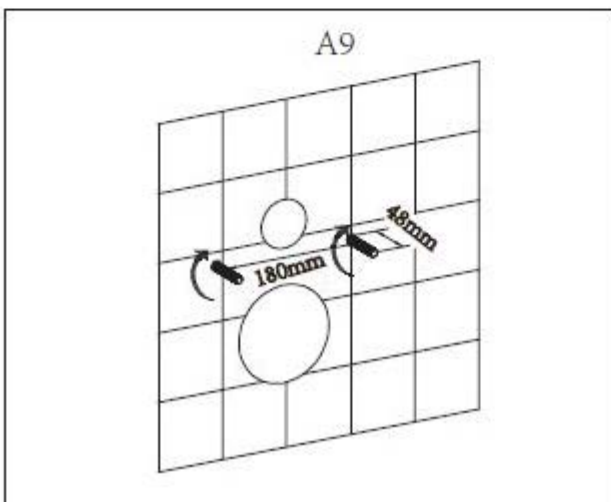
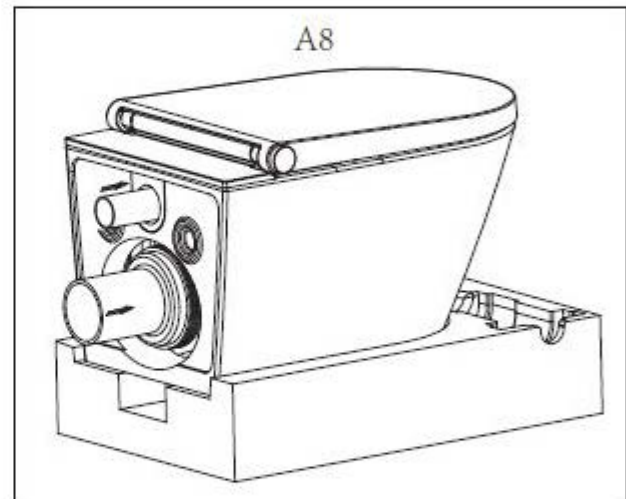
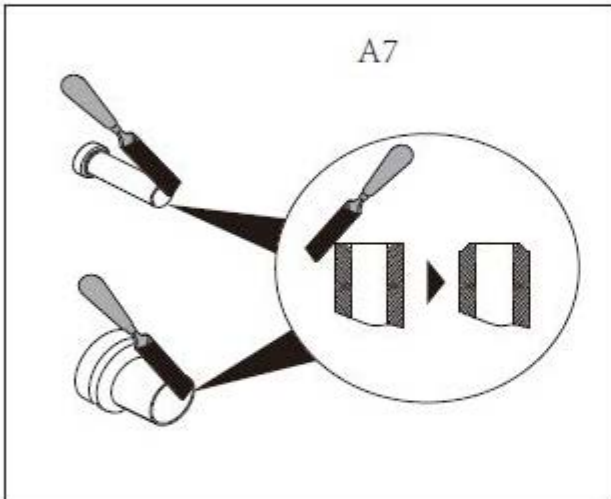
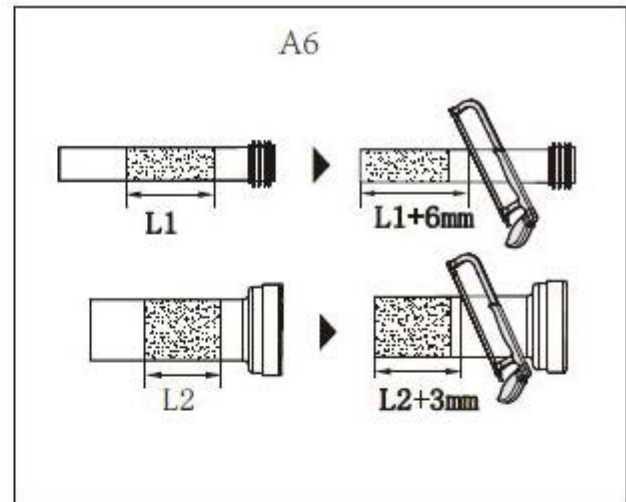
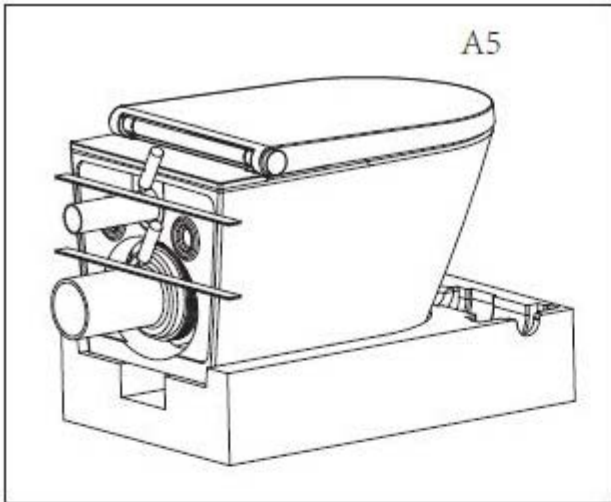


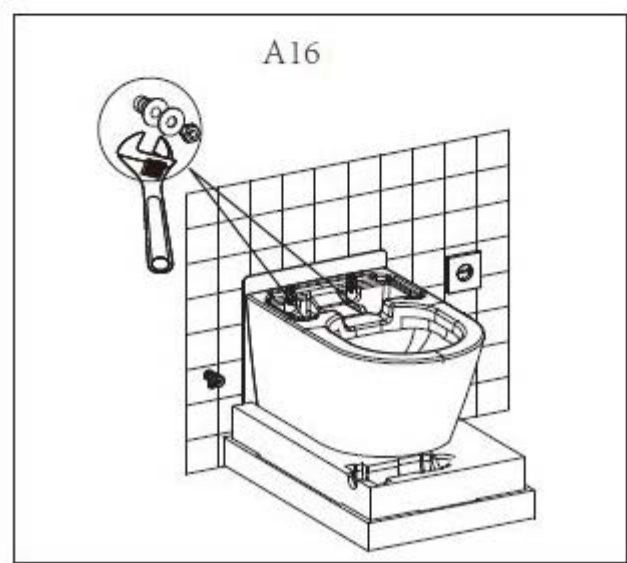
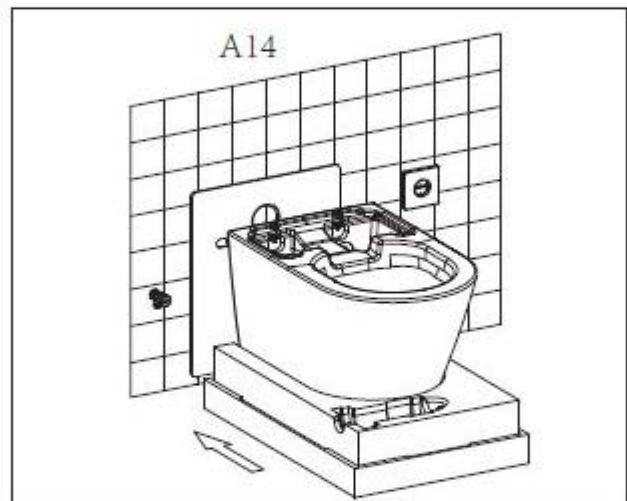
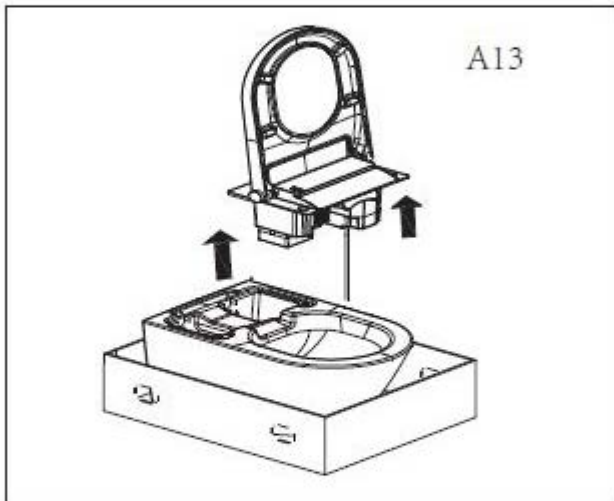
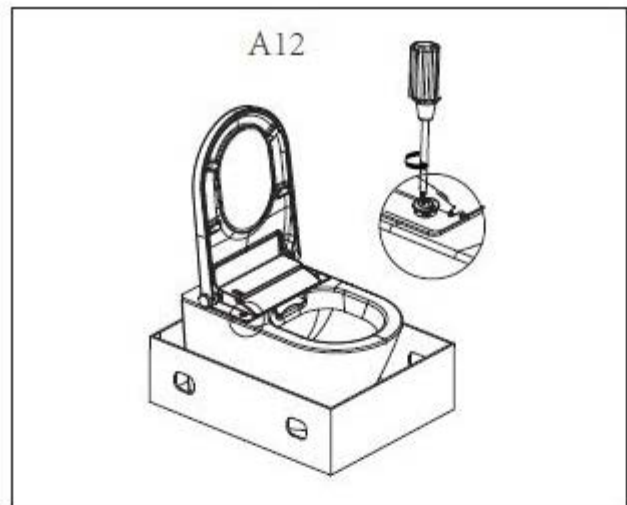
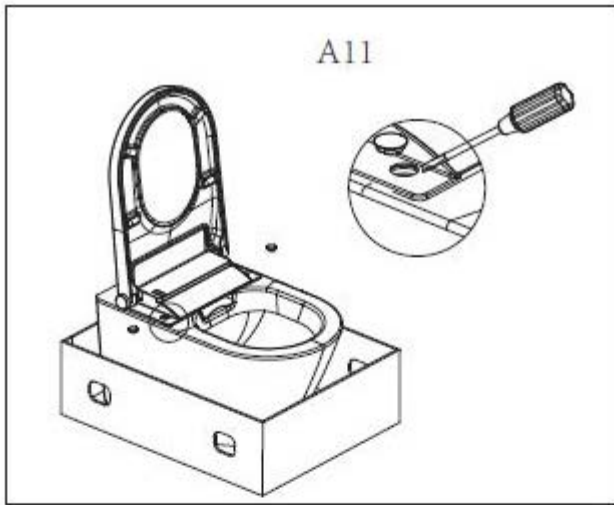
Level

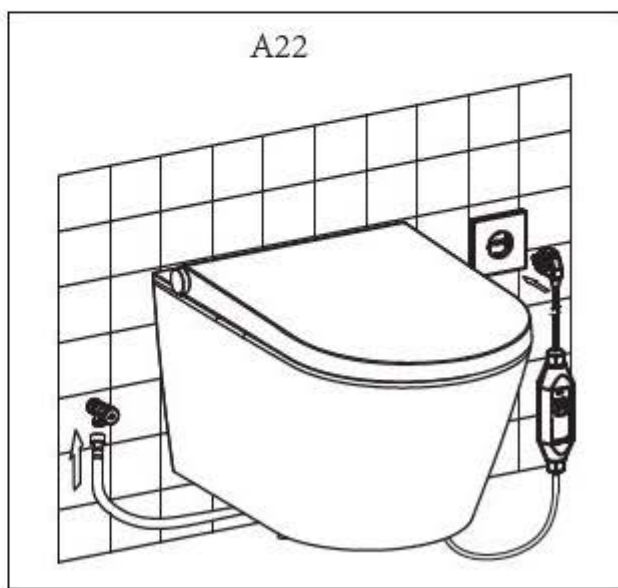
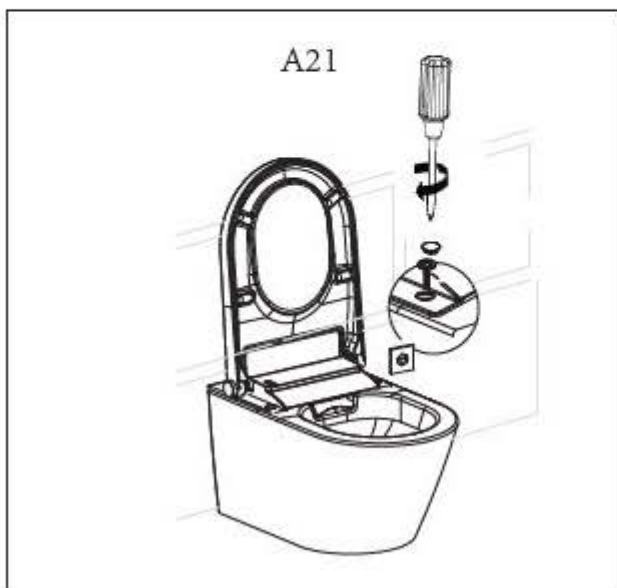
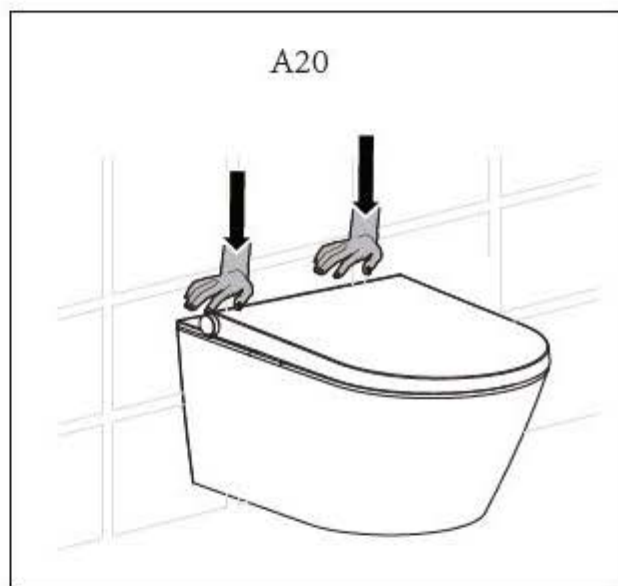
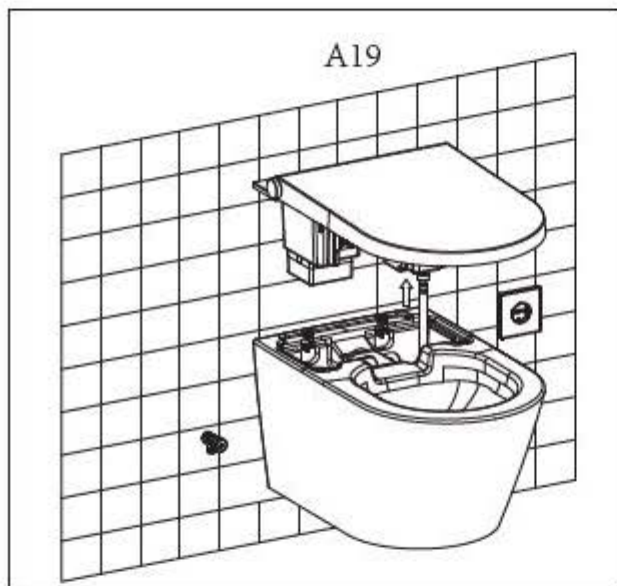
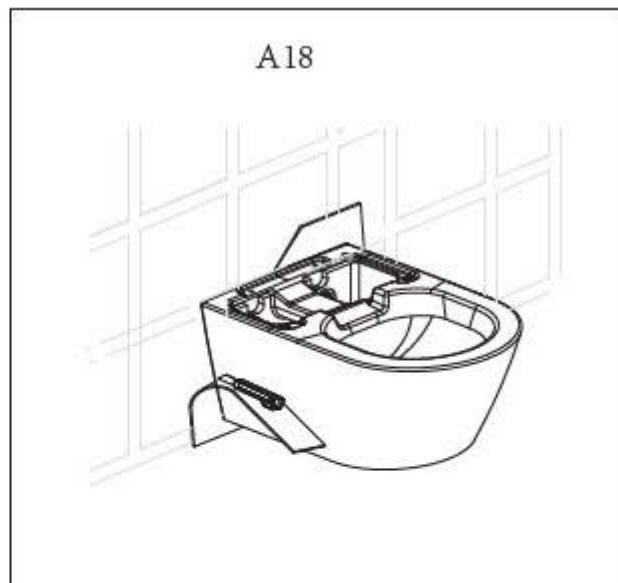
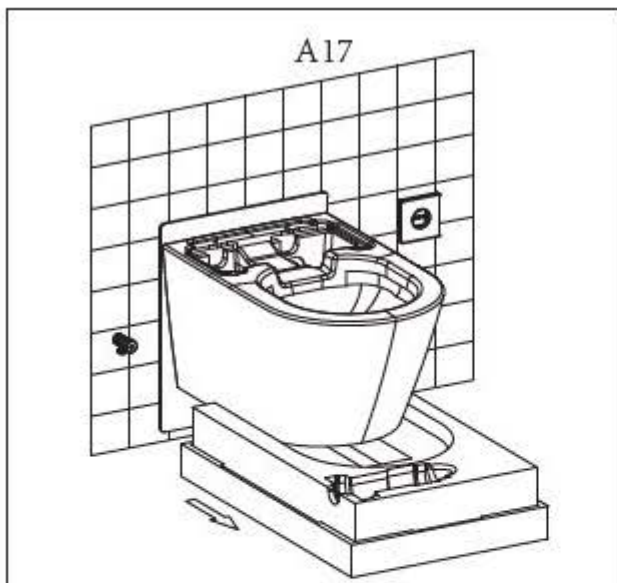
INSTALLATION MODEL A

Prior to installation, ensure that a water valve and electrical outlet are present.

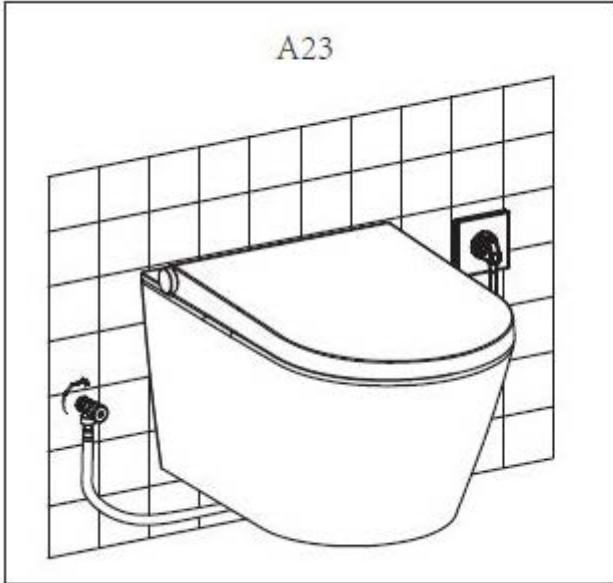




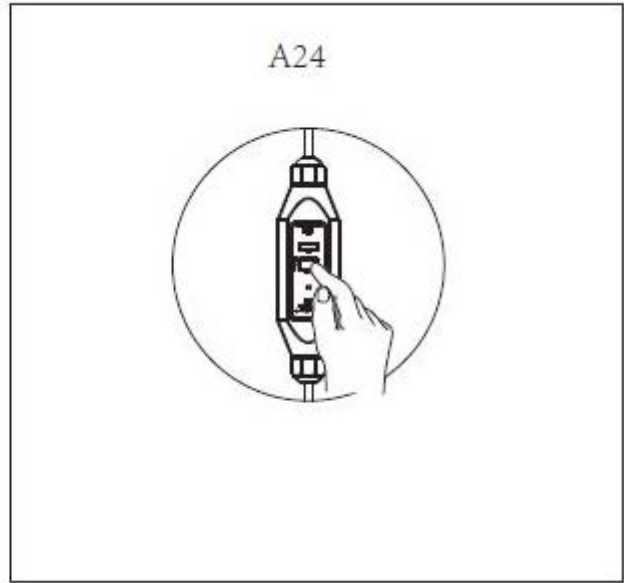




A23

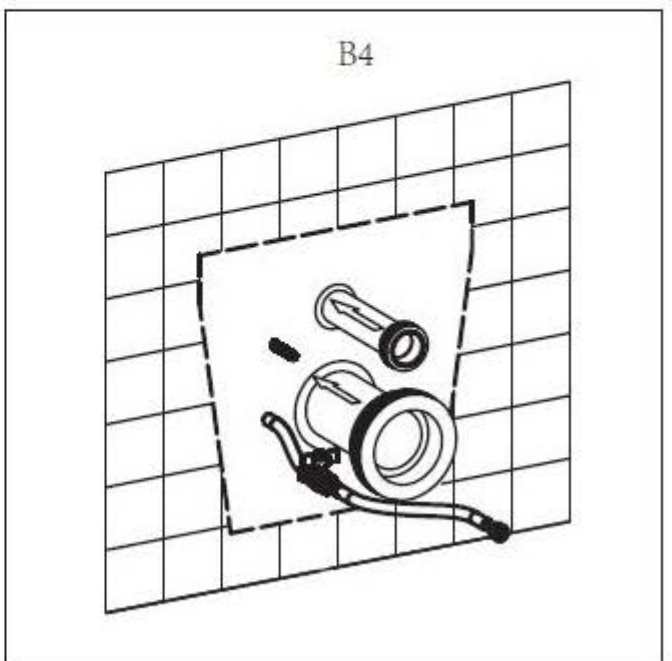
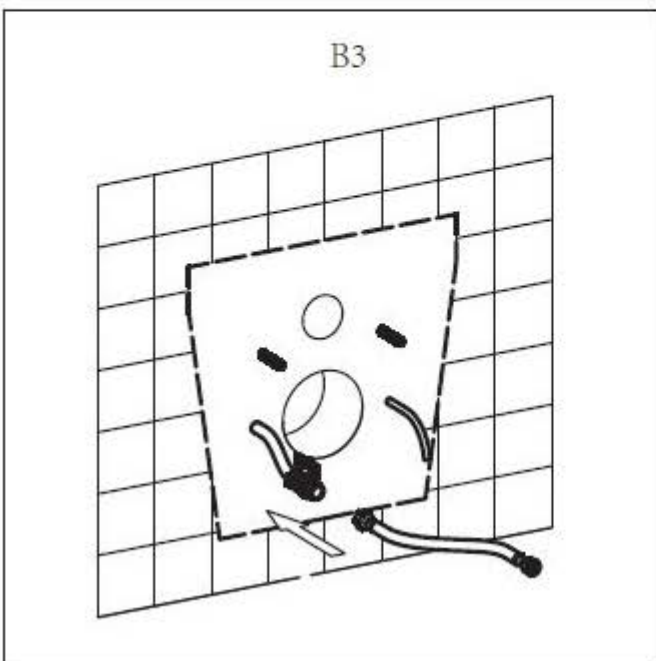
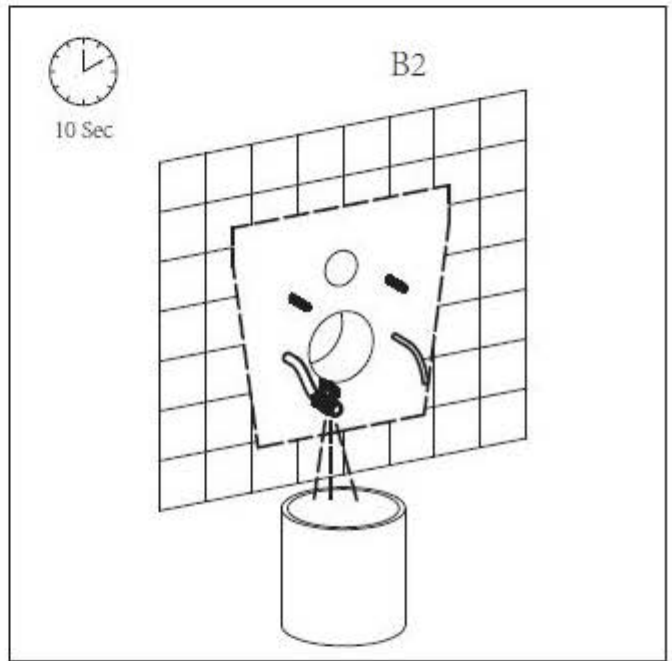
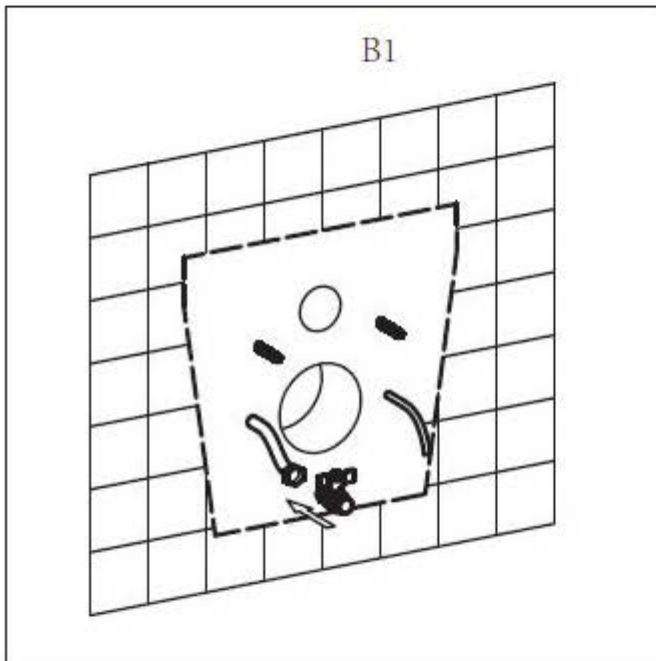
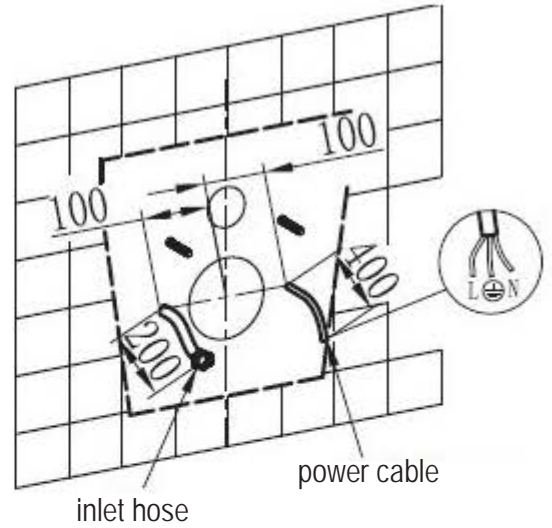


A24

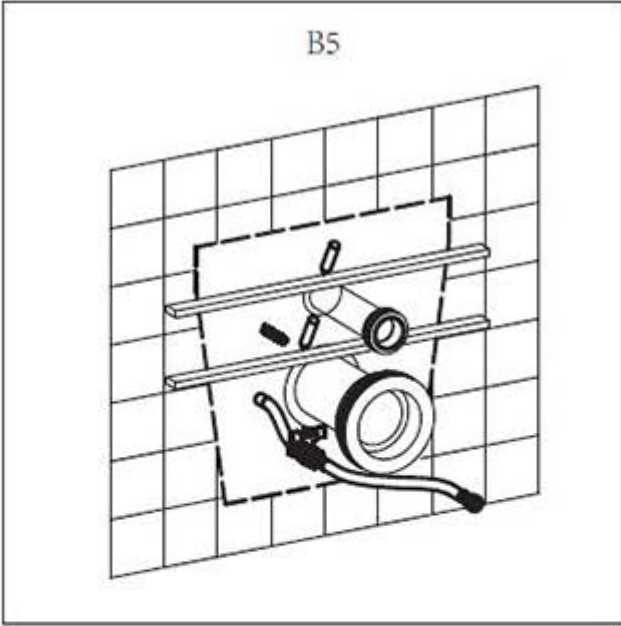


INSTALLATION MODEL B

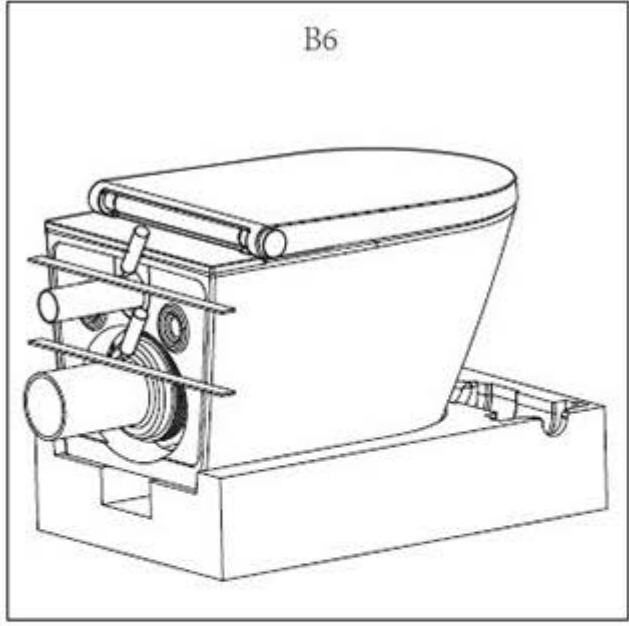
Prior to installation, ensure that a water valve and electrical outlet are installed directly next to the WC.



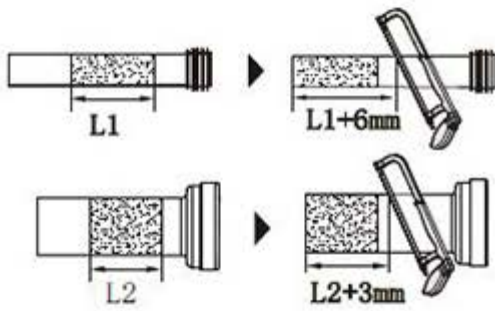
B5



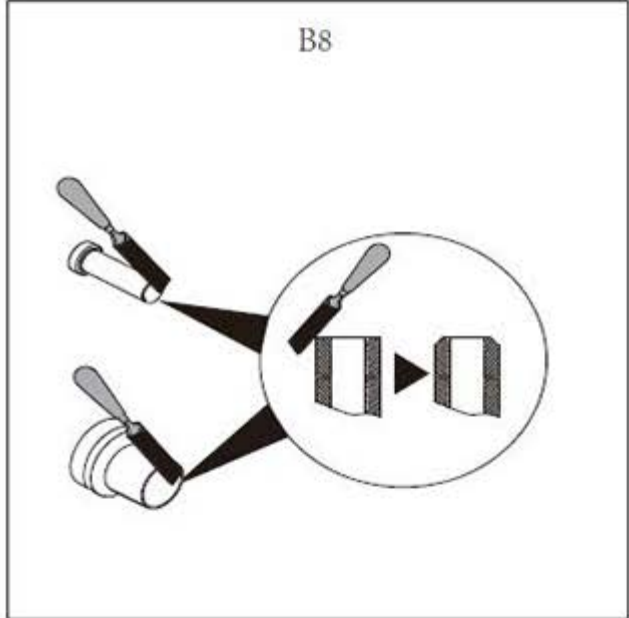
B6



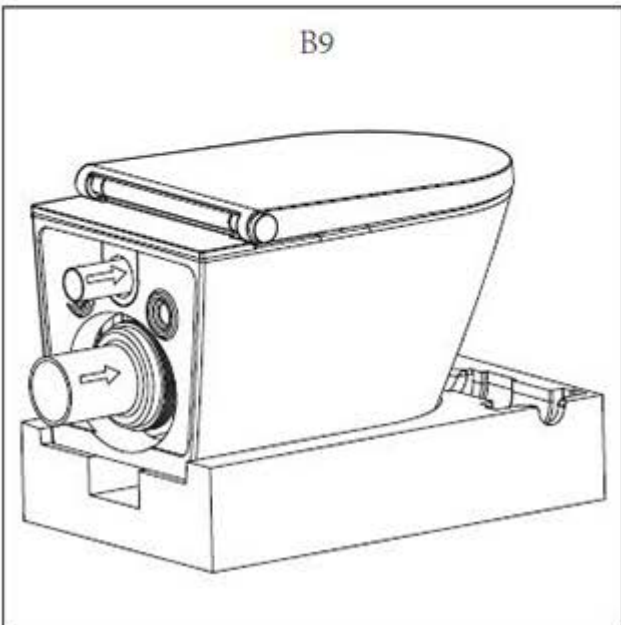
B7



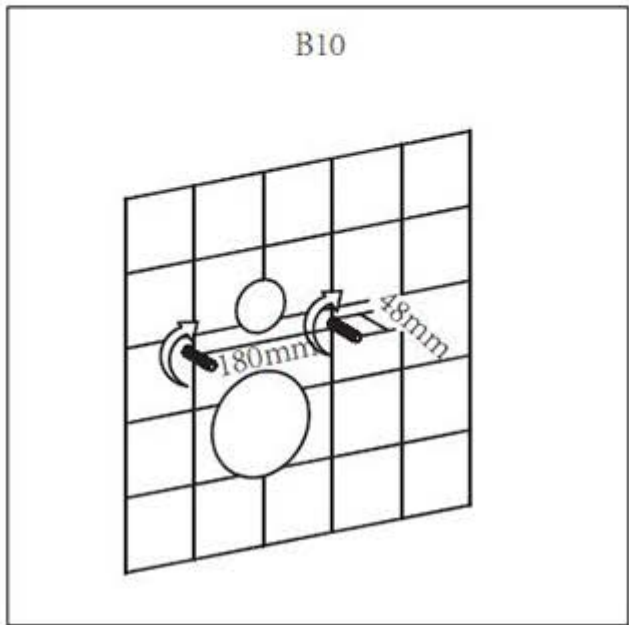
B8



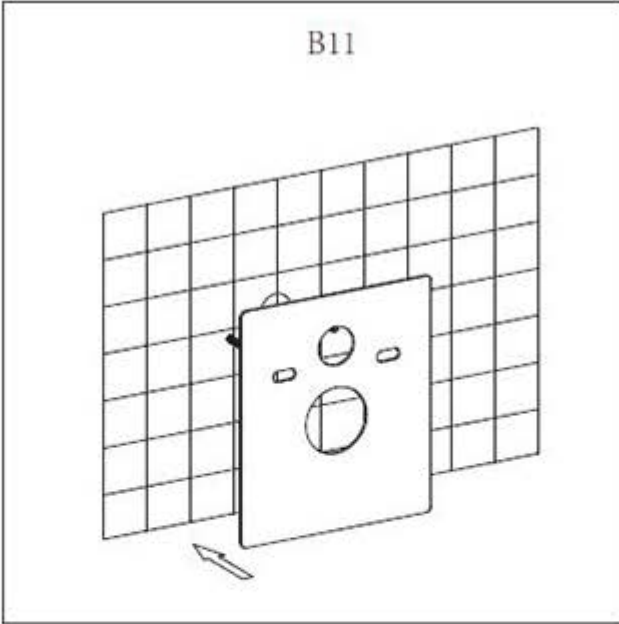
B9



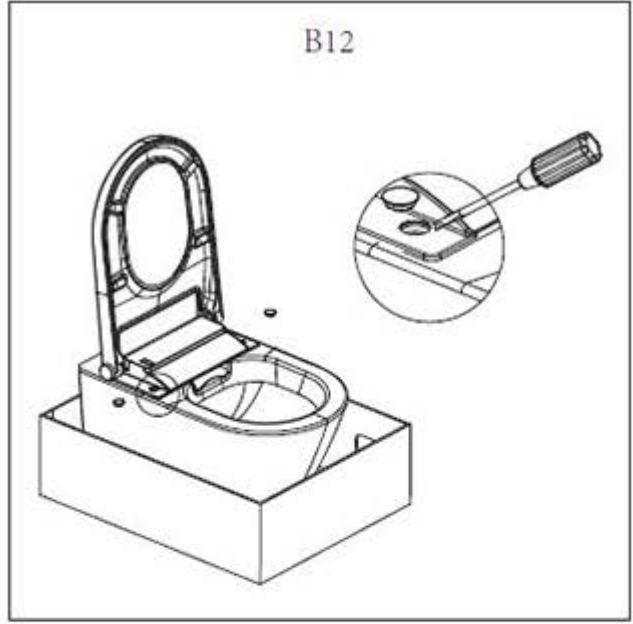
B10



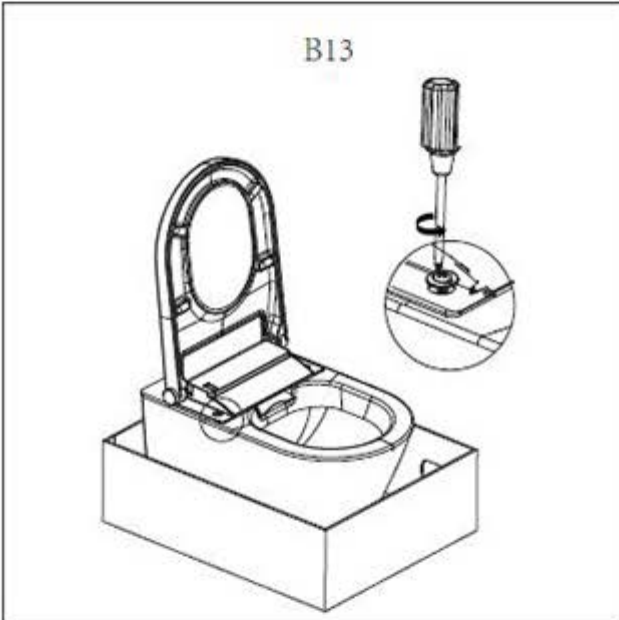
B11



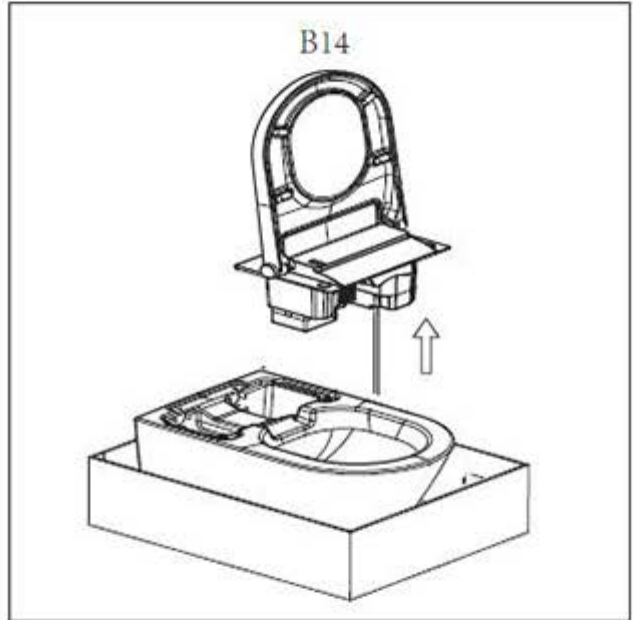
B12



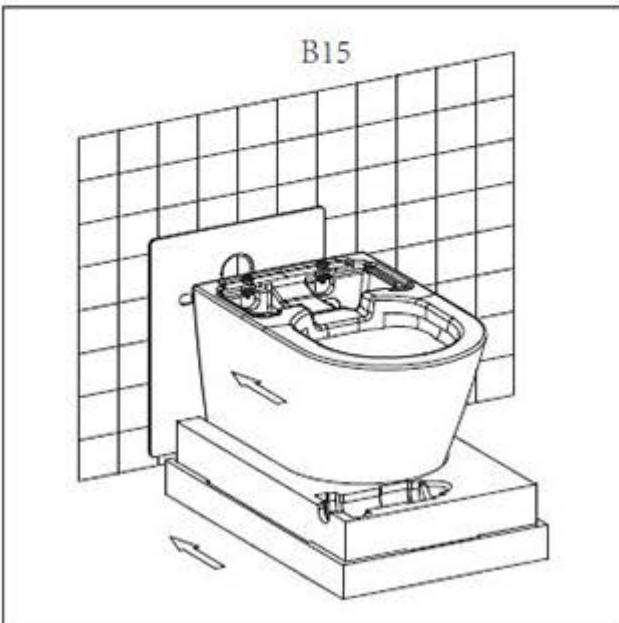
B13



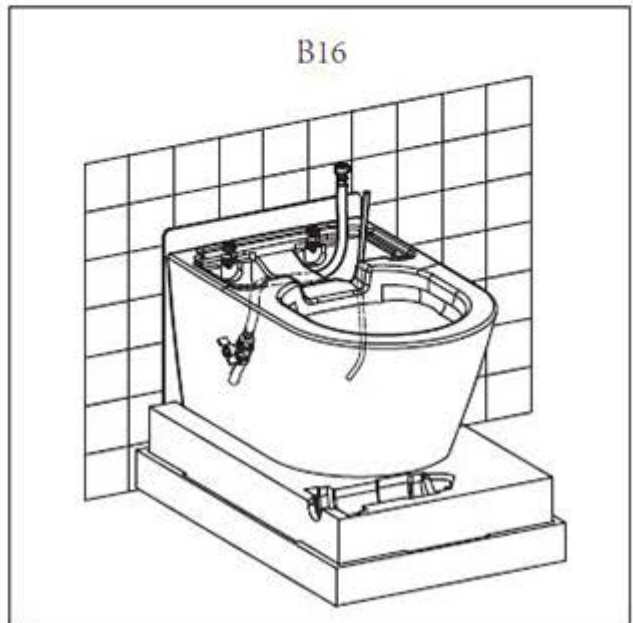
B14



B15



B16



B17



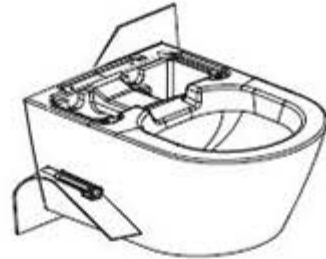
B18



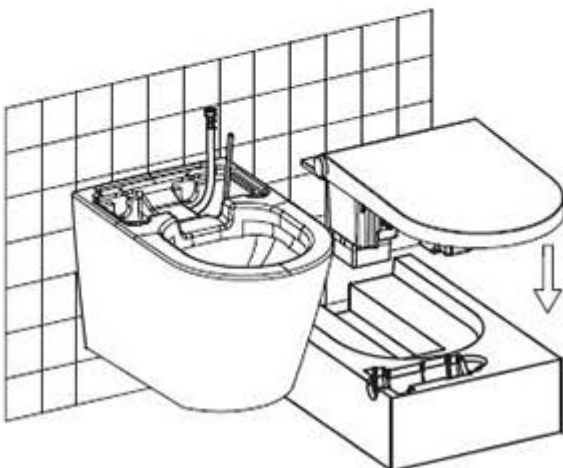
B19



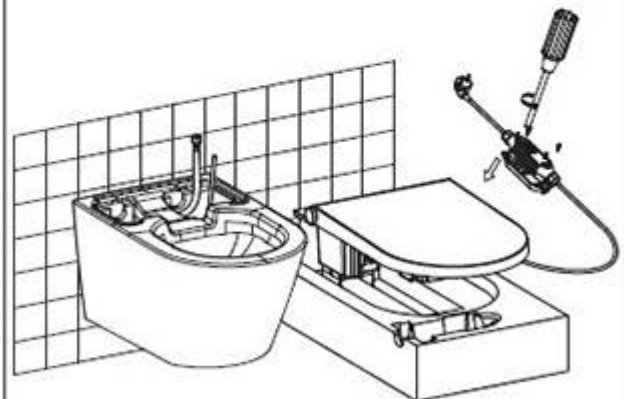
B20



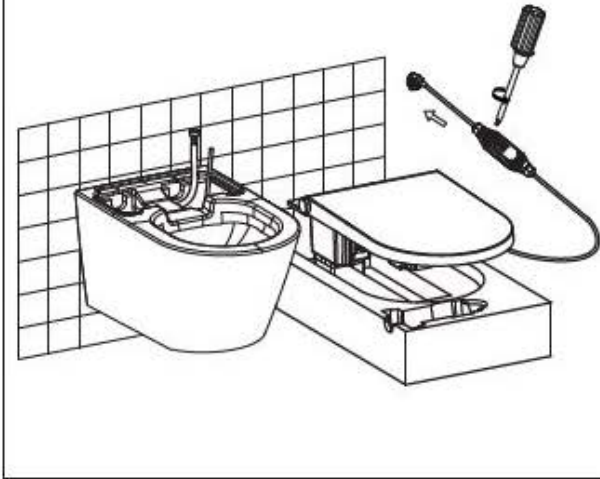
B21



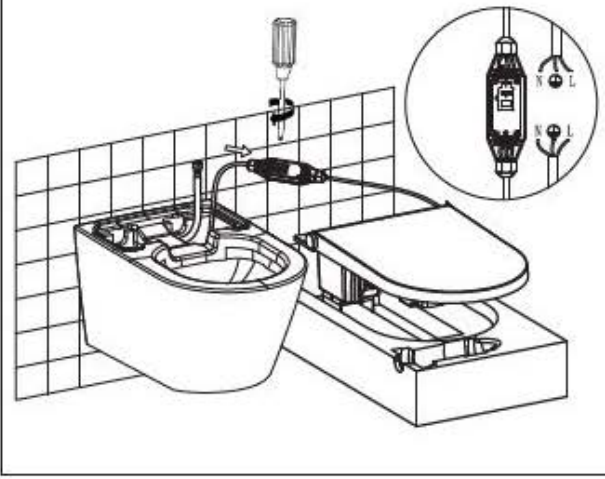
B22



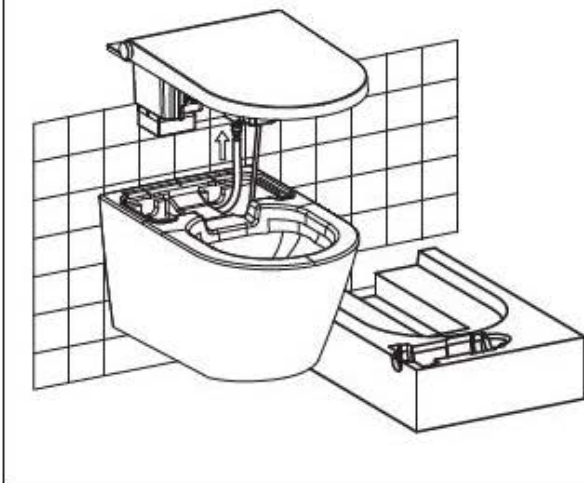
B23



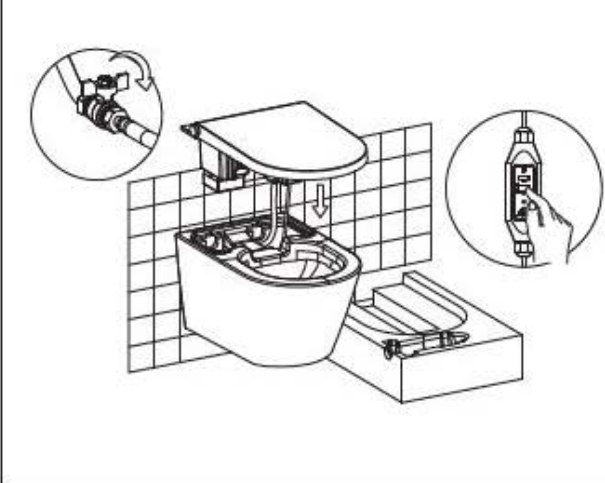
B24



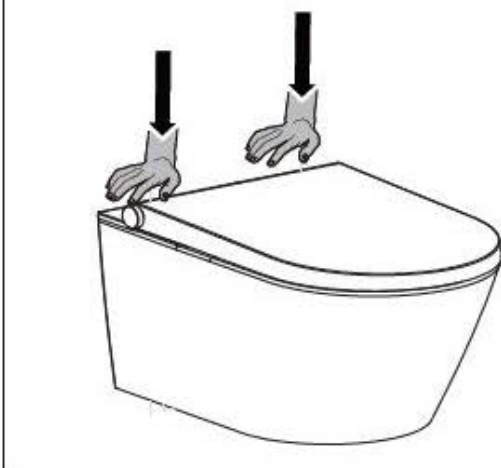
B23



B24



B25



B26

