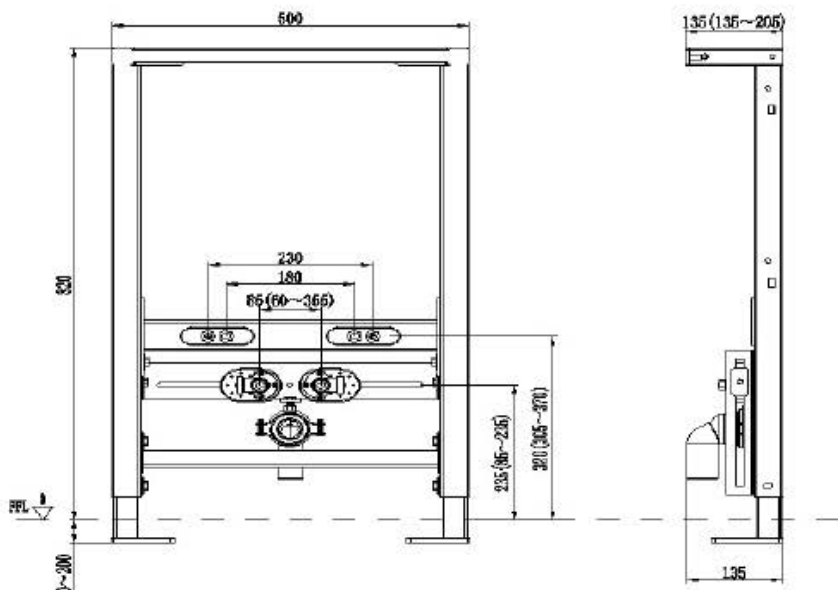
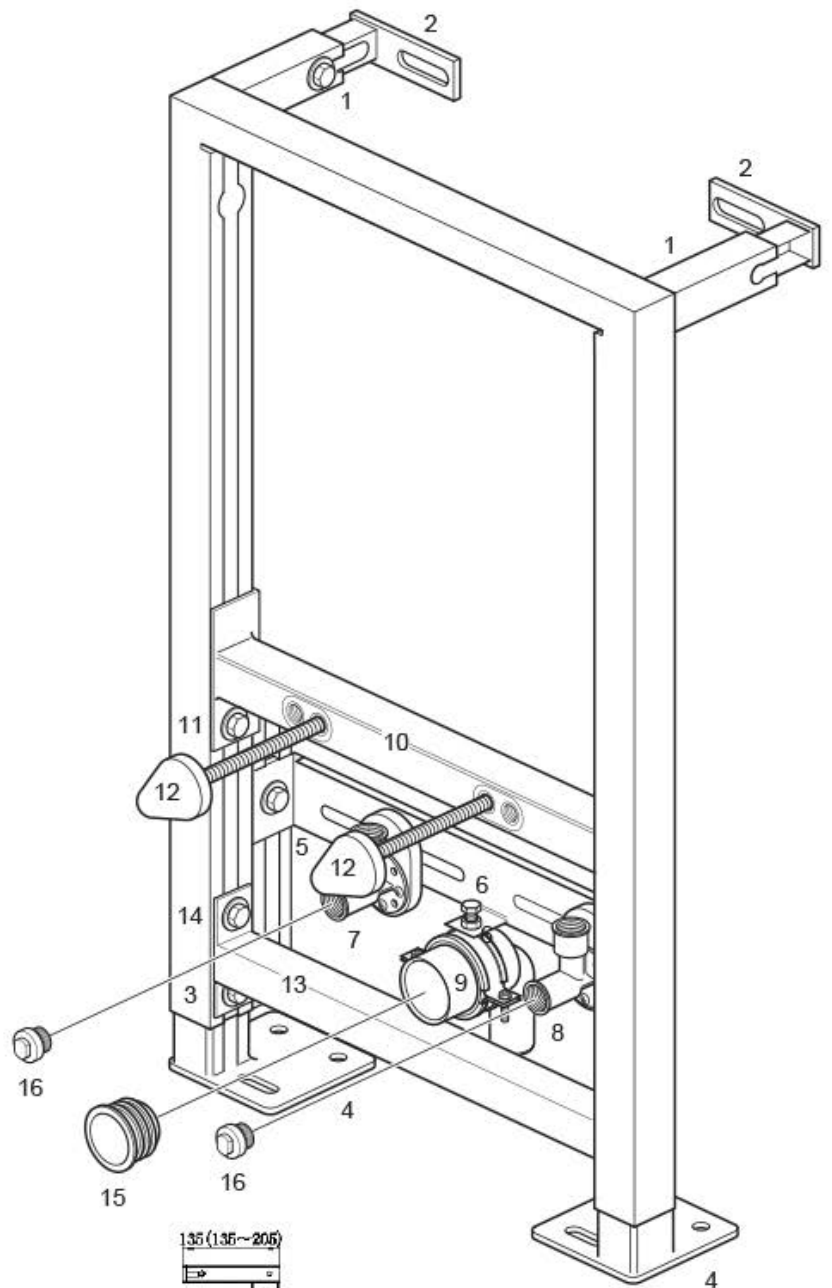
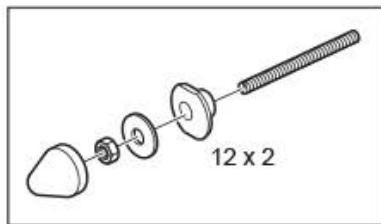
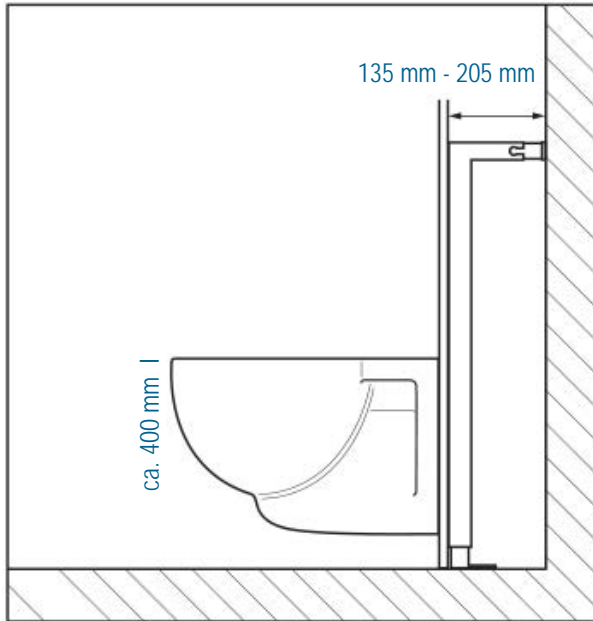
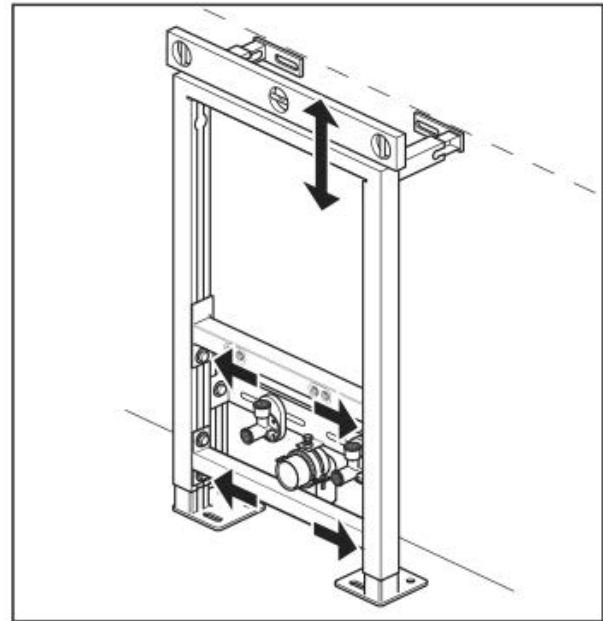


1. Wall Adjustment Bolts x2
2. Wall Brackets x2
3. Height Adjustment Bolts x2
4. Floor Brackets x2
5. Connection Height Adjustment Bolts x2
6. Connection Support Bar
7. Hot Water Inlet Elbow x1
8. Cold Water Inlet Elbow x1
9. Waste Outlet Elbow x1
10. Bidet Support Bar x1
11. Bidet Support Height Adjustment Bolts x2
12. Bidet Fixing Bolts, Nuts, Washers & Covers x2
13. Cross Bar Support x1
14. Cross Bar Support Height Adjustment Bolts x2
15. Waste Pipe Seal x1
16. Blanking Plugs x2

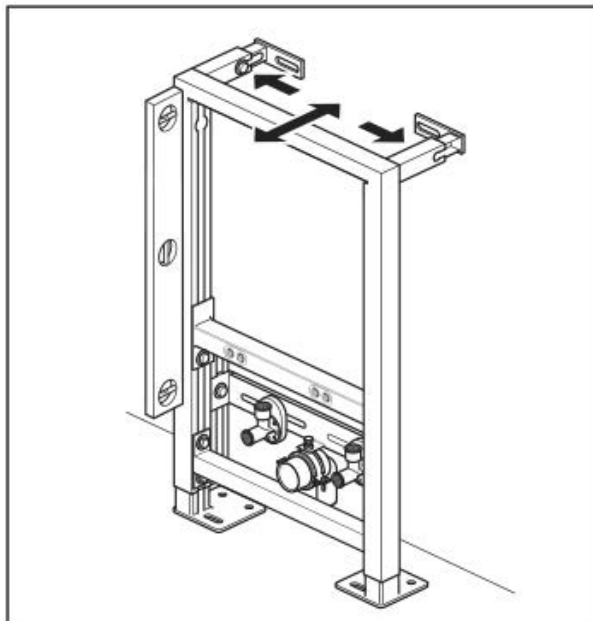




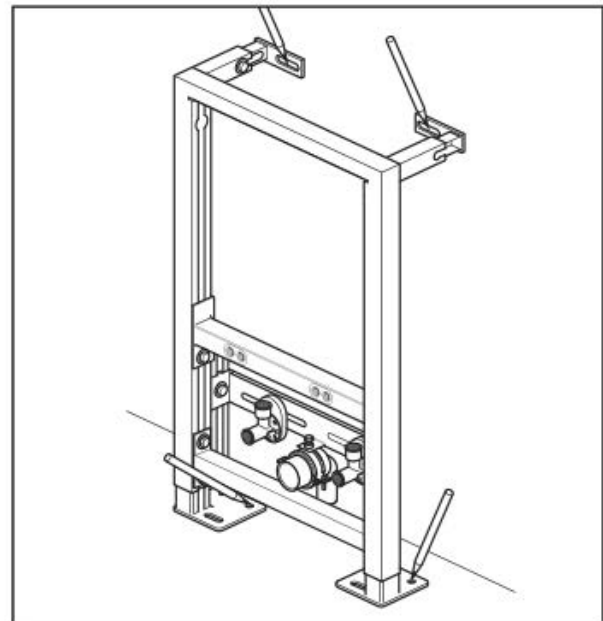
Plan the position of the bidet. The recommended bidet height is 400mm to the front rim. The maximum height will depend on the bidet that is used and the end users requirements. The distance from the wall may depend on the space requirements for a cistern if a toilet is being installed in the same run.



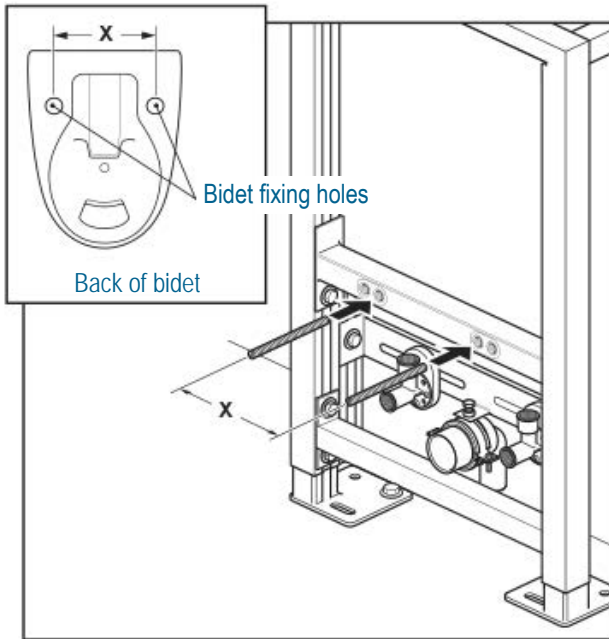
Place the frame against the wall in the required position. Loosen the height adjustment bolts (and bidet support height adjustment bolts), set to the required height, check the frame is level and retighten all 4 bolts.



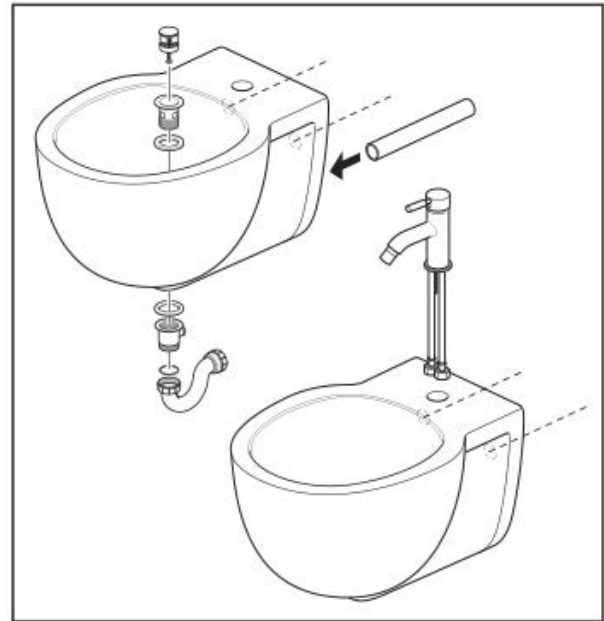
Set the required distance from the wall. Loosen the wall adjustment bolts, set to the required distance, check the frame is vertical and retighten the bolts.



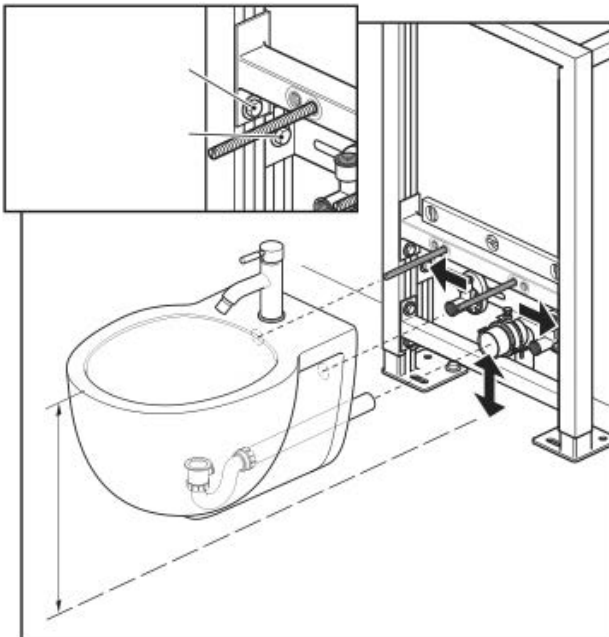
Mark the fixing positions on the wall and floor. Remove the frame and drill suitable holes for the fixings. Attach the frame to the wall and floor using suitable fixings. Check the frame is level in all directions.



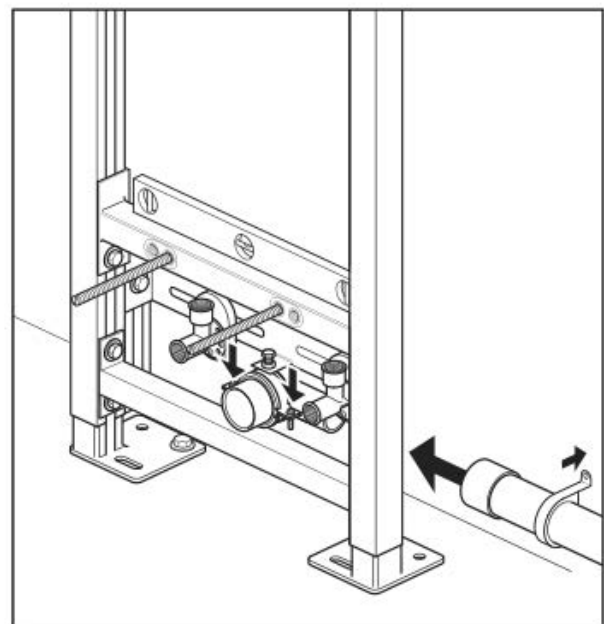
Measure the distance 'X' between the centres of the bidet fixing holes. Insert the bidet fixing bolts into the holes in the bidet support bar that match the bidet fixing holes. The fixing bolts can be adjusted (in or out) using a large screwdriver.



Attach the trap, pop-up waste, waste pipe and mixer/tap, to the bidet.

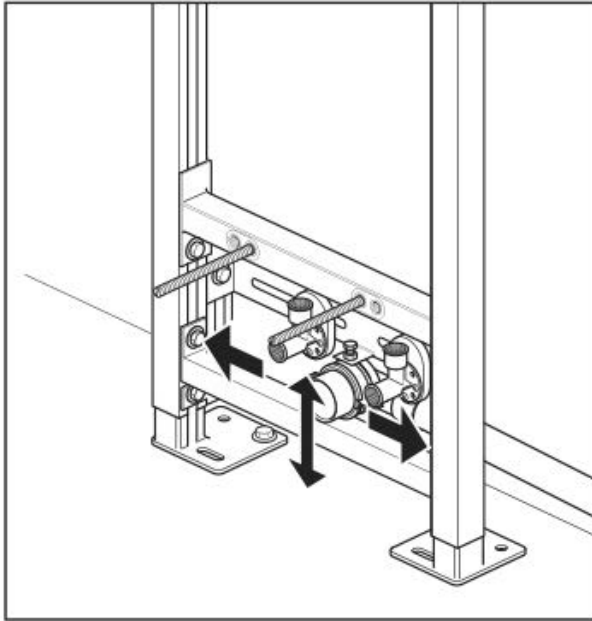


Carefully lift and position the bidet onto the bidet fixing bolts. Loosen the bidet support bar bolts and set the bar to the required height. Loosen the connection height adjustment bolts, set the connection support bar to the required height to line up with the waste outlet elbow. Retighten the bolts and remove the bidet.

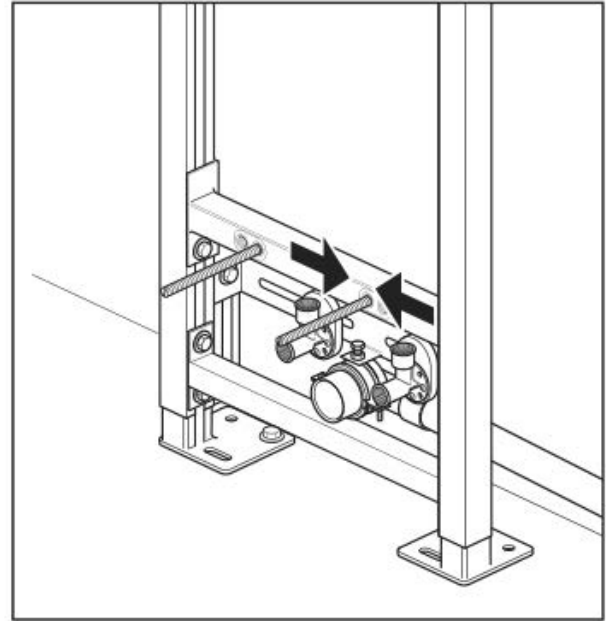


Prepare and connect the waste water outlet (a push-fit waste is recommended).

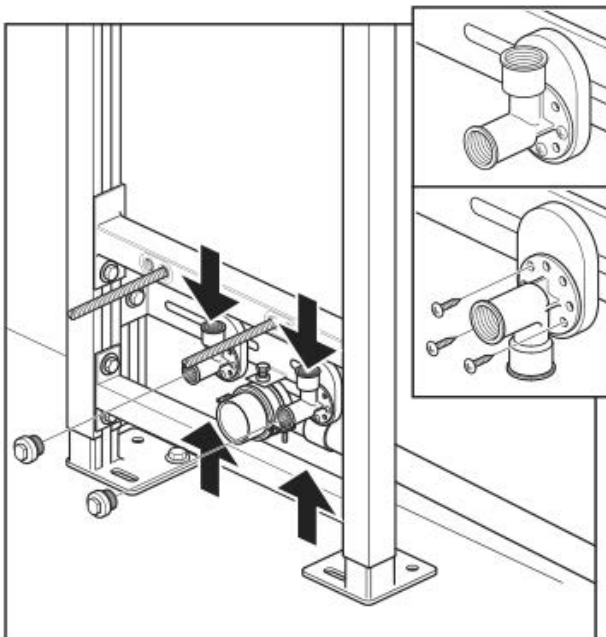
Note: The waste outlet elbow can be rotated to take the waste water pipework by loosening the bolts shown. Secure the pipework in the void.



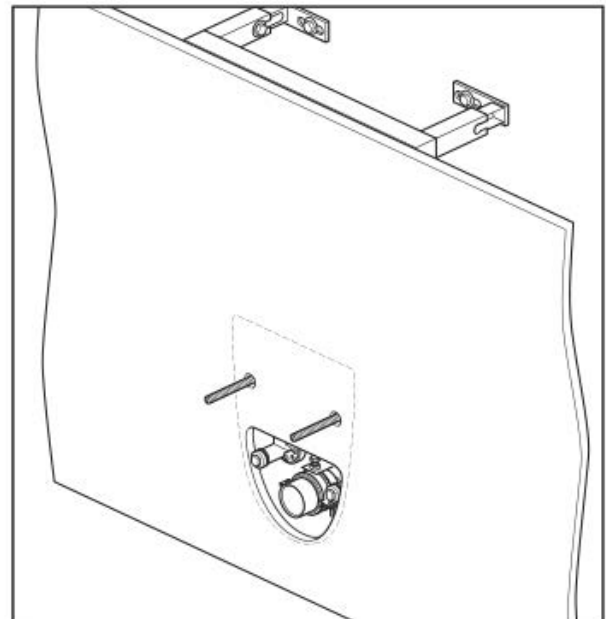
Loosen the cross bar support height adjustment bolts. Raise the cross bar support up as high as possible (under the waste outlet elbow) and retighten both bolts. This will provide extra support for the bidet.



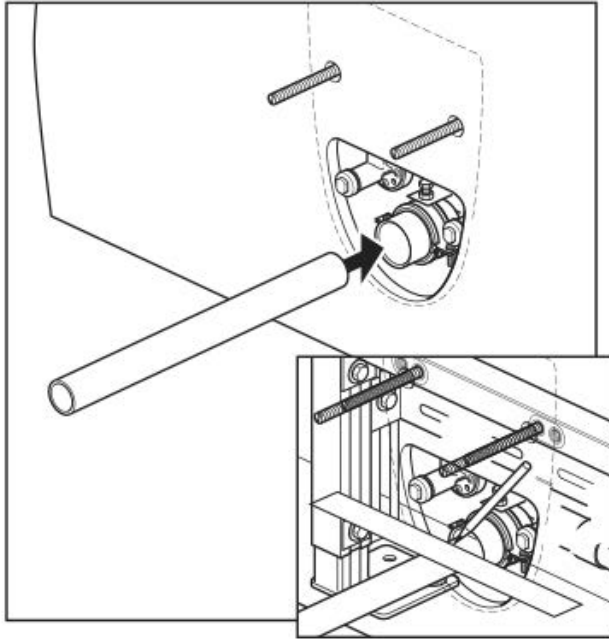
Loosen the hot and cold inlet elbows (using the nut at the rear). Set to the required distance apart to allow easy connection of the mixer supplies within the shroud of the bidet and retighten.



Connect the hot and cold pipework to the inlet elbows (\varnothing 1/2"), screw the blanking plugs into the outlets. BSP female threaded outlets may need extending (depending on tile thickness etc), using male nipples. The hot and cold inlet elbows can be rotated to suit your pipework. It is essential that isolation valves are fitted in the void at this point.

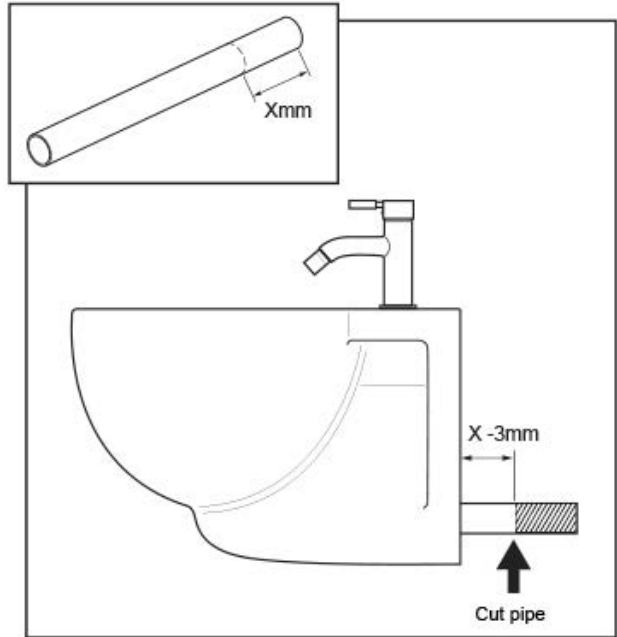


Build the partition wall, making the holes for the bolts and pipes. If required, tile the surface or apply the finish now.

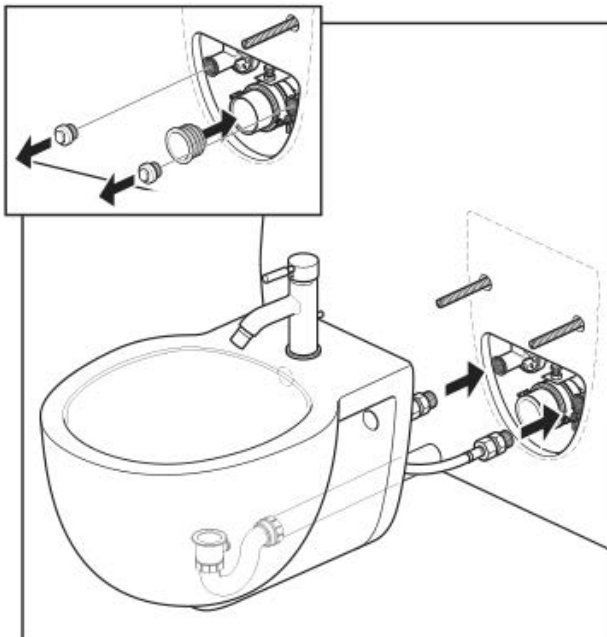


Push fit a 'spare' section of waste pipe fully into the waste outlet elbow.

Place a straight edge flush against the partition wall (as shown) and mark a line on the waste pipe. Remove the waste pipe from outlet elbow.



Measure the marked length of the 'spare' waste pipe (Xmm). This measurement MINUS 3mm is the length of waste pipe that is needed to extend from the back of the bidet into the waste elbow. Cut the waste pipe to length and remove any burrs.

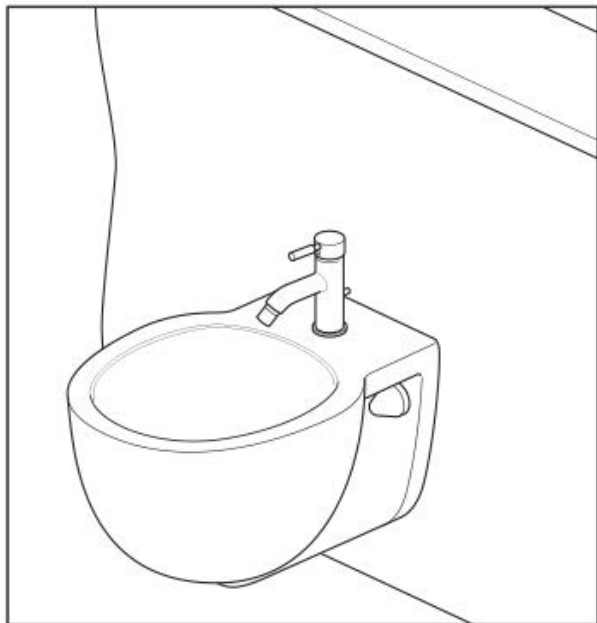


Remove the blanking plugs from the outlets. Push fit the waste pipe seal into the waste outlet elbow and lubricate the inside.

Offer up the bidet and connect the hot and cold flexible pipes to the inlet elbows, adaptors may be required. Fully tighten all connections. Carefully position the bidet onto the bidet fixing bolts, lining up the waste connections at the same time and push back.



On each side of the bidet, place the plastic and metal washers onto the bolts, secure with the nuts and push fit the covers. Note: The bidet fixing bolts can be lengthened or shortened using a large flatblade screwdriver.



Finish the installation by water testing the inlet and outlet connections and isolators in the void.

Note: You must ensure there is access to the connections in the void. The installation is now completed by fitting the access lid to the void.

