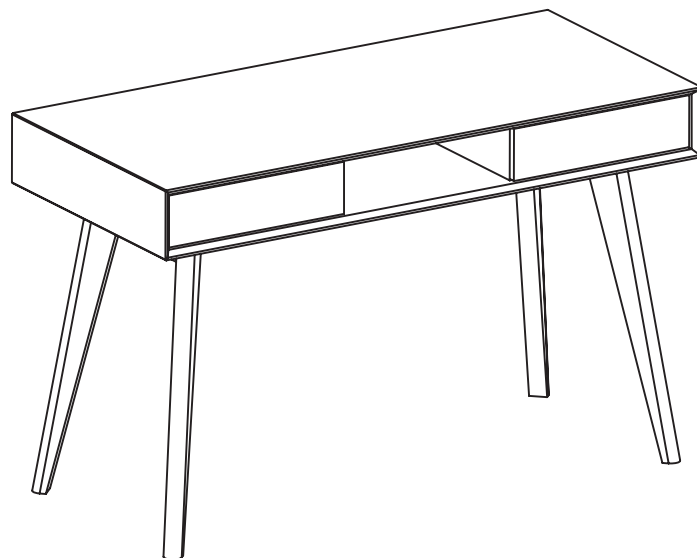




Montageanleitung für
SVITA *Schreibtisch* **RETRO**

(Modell: 91144-91145)

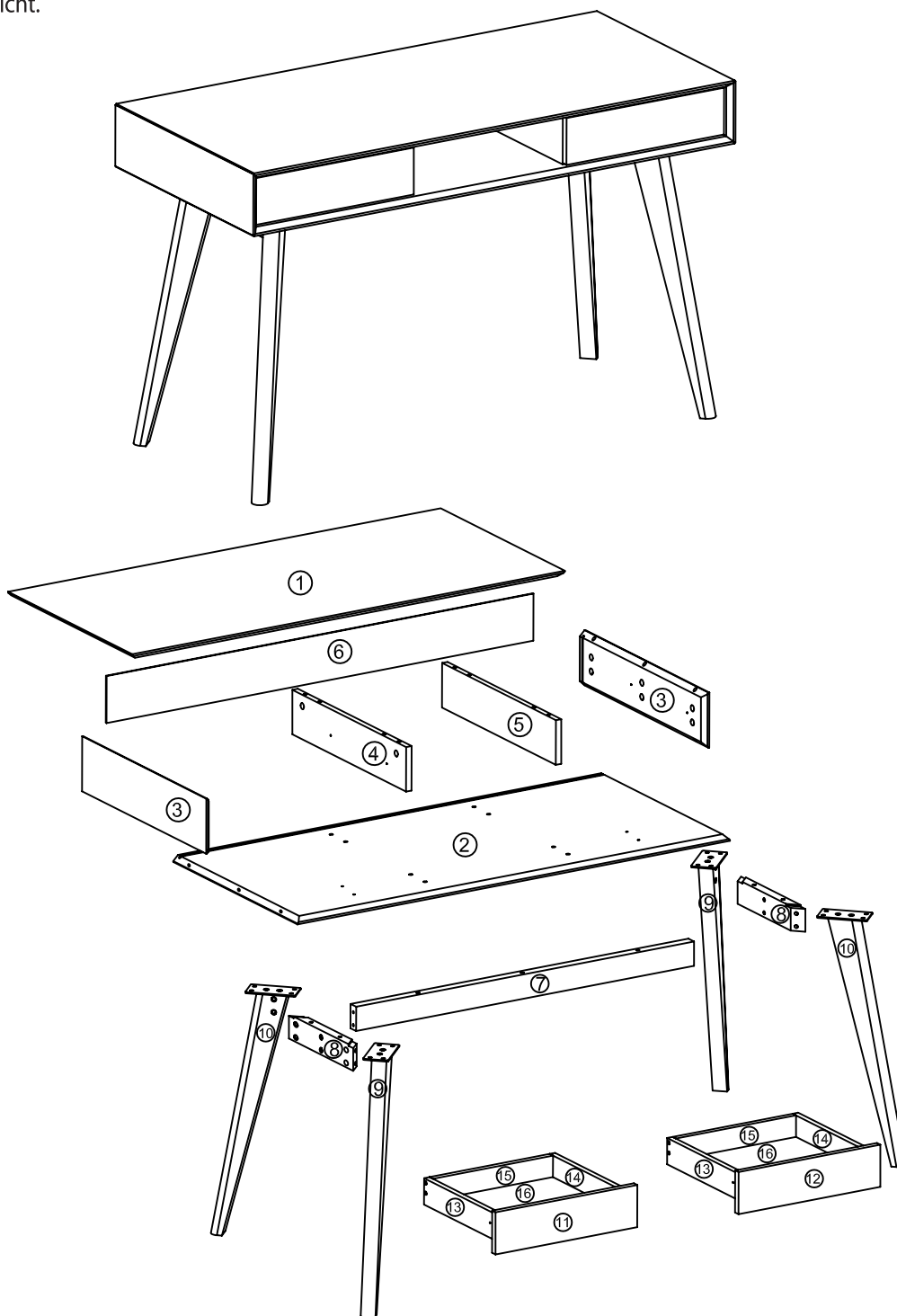



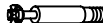


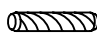
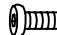
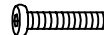
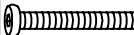


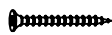







Händlerkontakt:

Email: service@clctrade.de

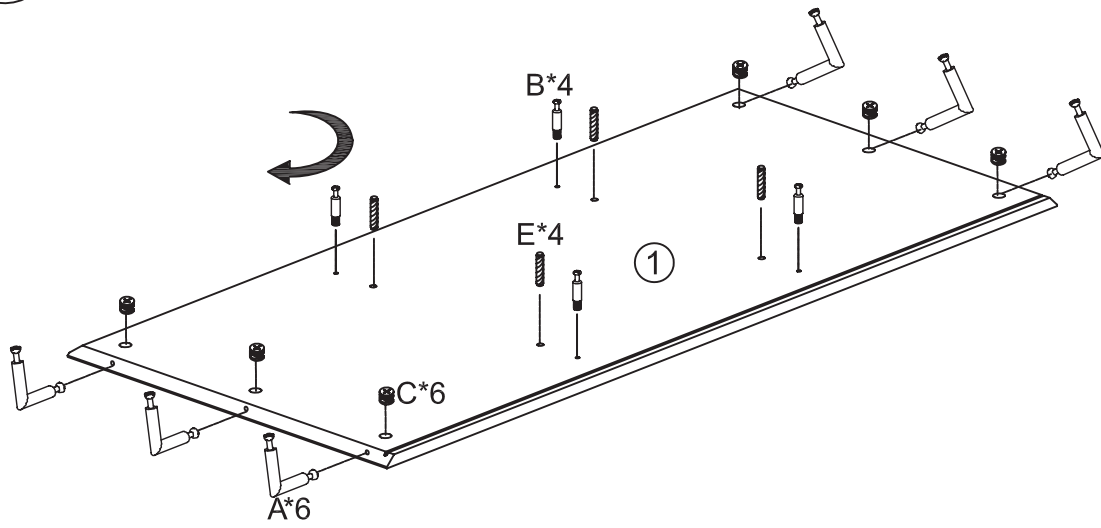
Telefon: 02203-947 9300


Überprüfen Sie alle Bauteile anhand der Teileliste. Wenn Teile fehlen sollten, kontaktieren Sie Ihren Händler und beginnen mit dem Aufbau zunächst nicht.





| | | | | | | | | | | | | | | | | |
|---|-----|---|-----|---|-----|---|----|---|----|---|-----|---|----|---|----|--|
| A | x12 | B | x12 | C | x36 | D | x8 | E | x8 | F | x16 | G | x8 | H | x7 | |
|  | |  | |  | |  | |  | |  | |  | |  | | |
| | | M6*35mm | | Ø15mm | | M6*50mm | | Ø8*30mm | | M6*12mm | | M6*30mm | | M6*60mm | | |
| I | x22 | J | x8 | K | x8 | L | x1 | M | x2 | N | x4 | O | x4 | P | x4 | |
|  | |  | |  | |  | |  | |  | |  | |  | | |
| M3.5*14mm | | M4*35mm | | M5*50mm | | M4 | | 85*10*15mm | | 340mm | | 340mm | | 20*20*2mm | | |
| Q | x8 | R | x4 | | | | | | | | | | | | | |
|  | |  | | | | | | | | | | | | | | |
| Ø20 | | 120*60*3mm | | | | | | | | | | | | | | |


1



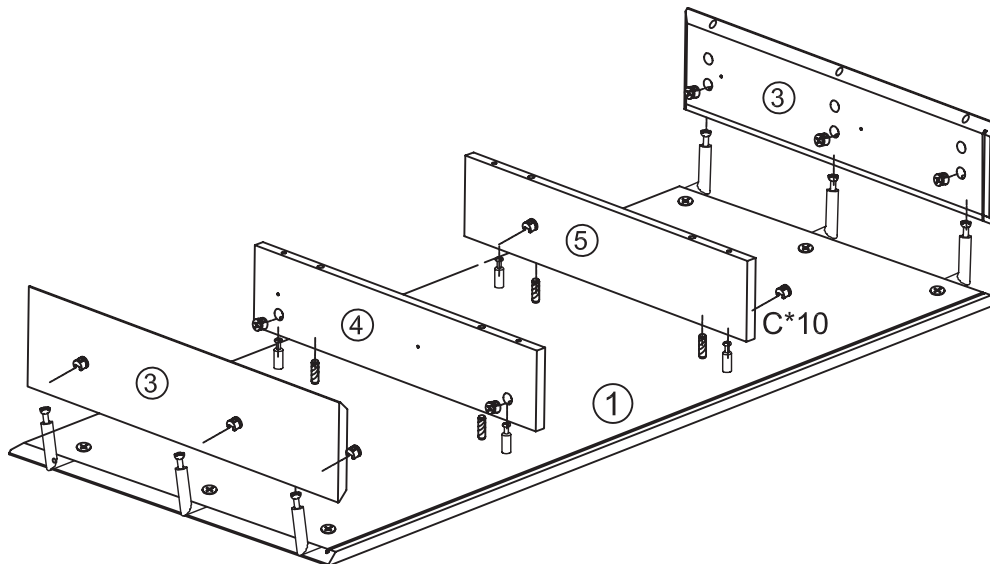
| | |
|--|----|
| A | x6 |
|  | |


| | |
|--|----|
| B | x4 |
|  | |
| M6*35mm | |

| | |
|---|----|
| C | x6 |
|  | |
| Ø15mm | |

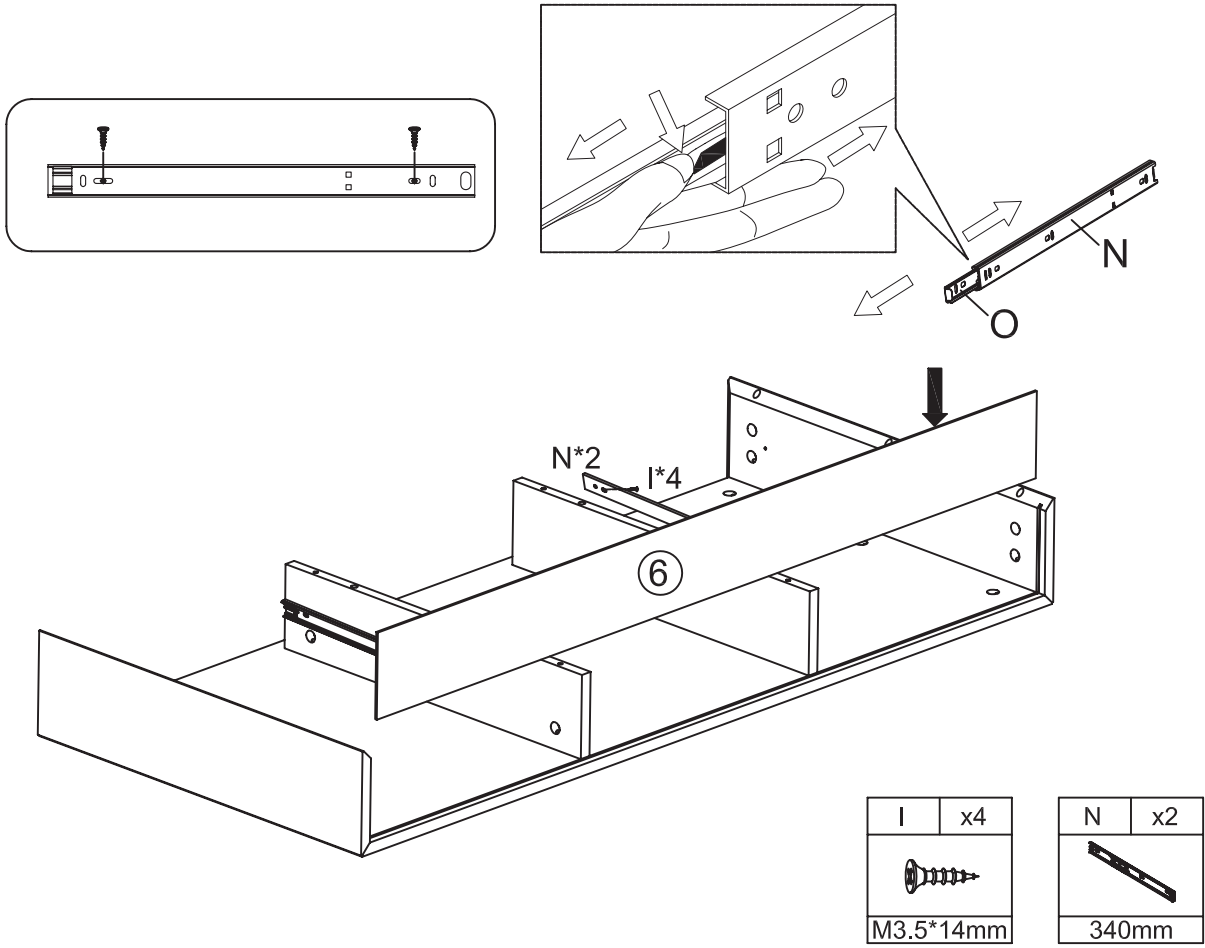
| | |
|---|----|
| E | x4 |
|  | |
| Ø8*30mm | |

2

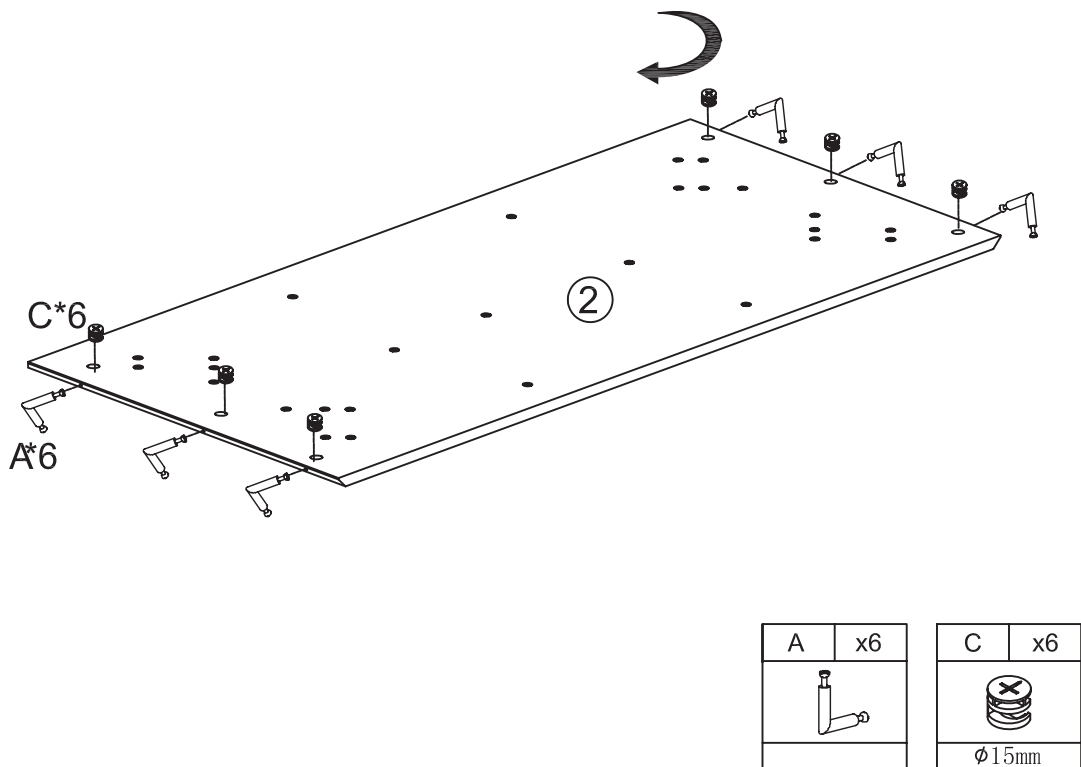


| | |
|---|-----|
| C | x10 |
|  | |
| Ø15mm | |

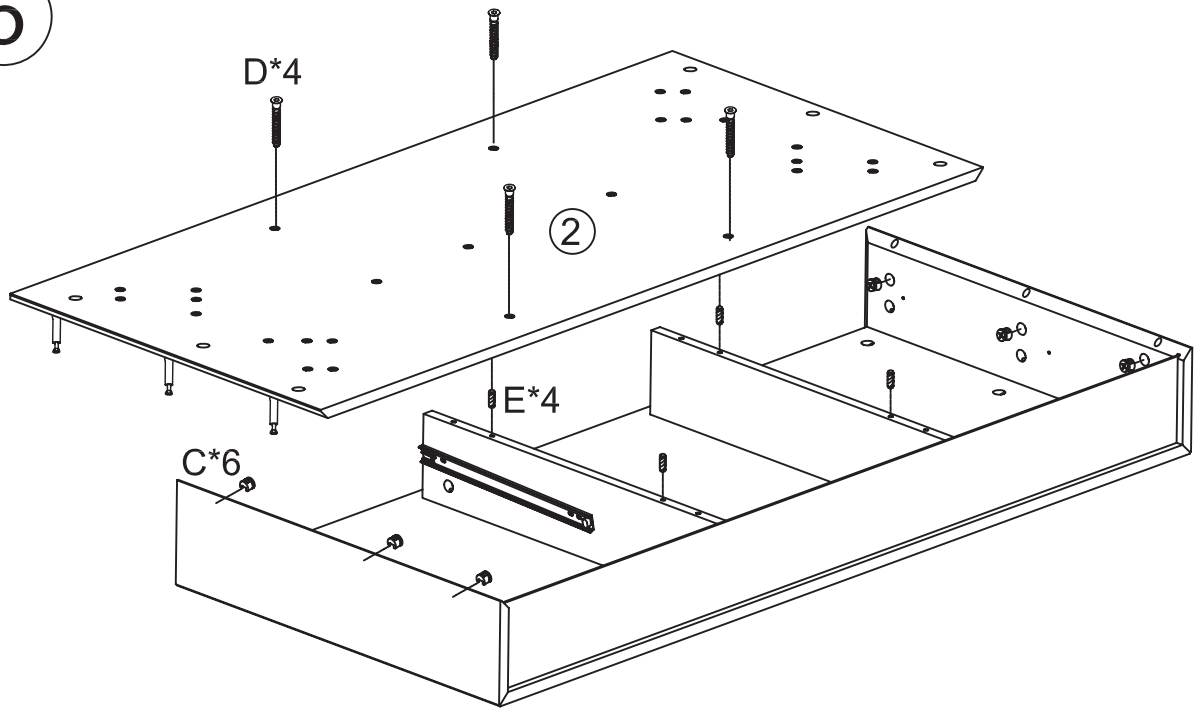
3



4

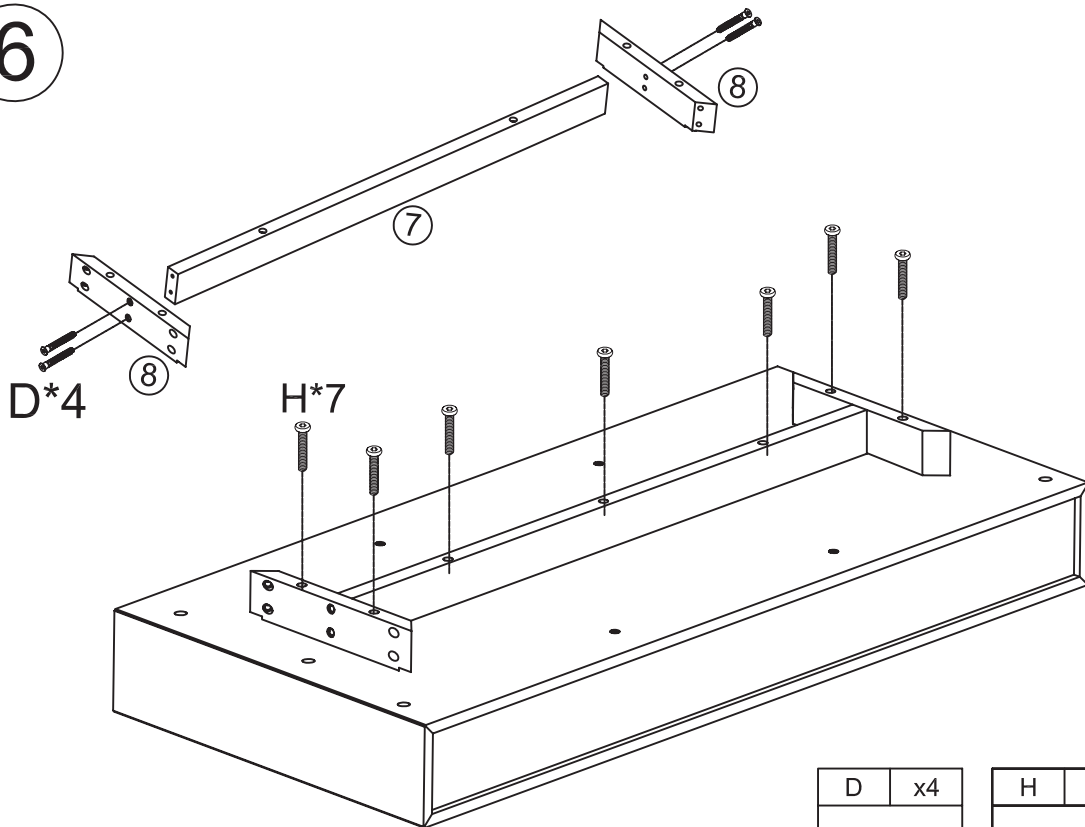


5



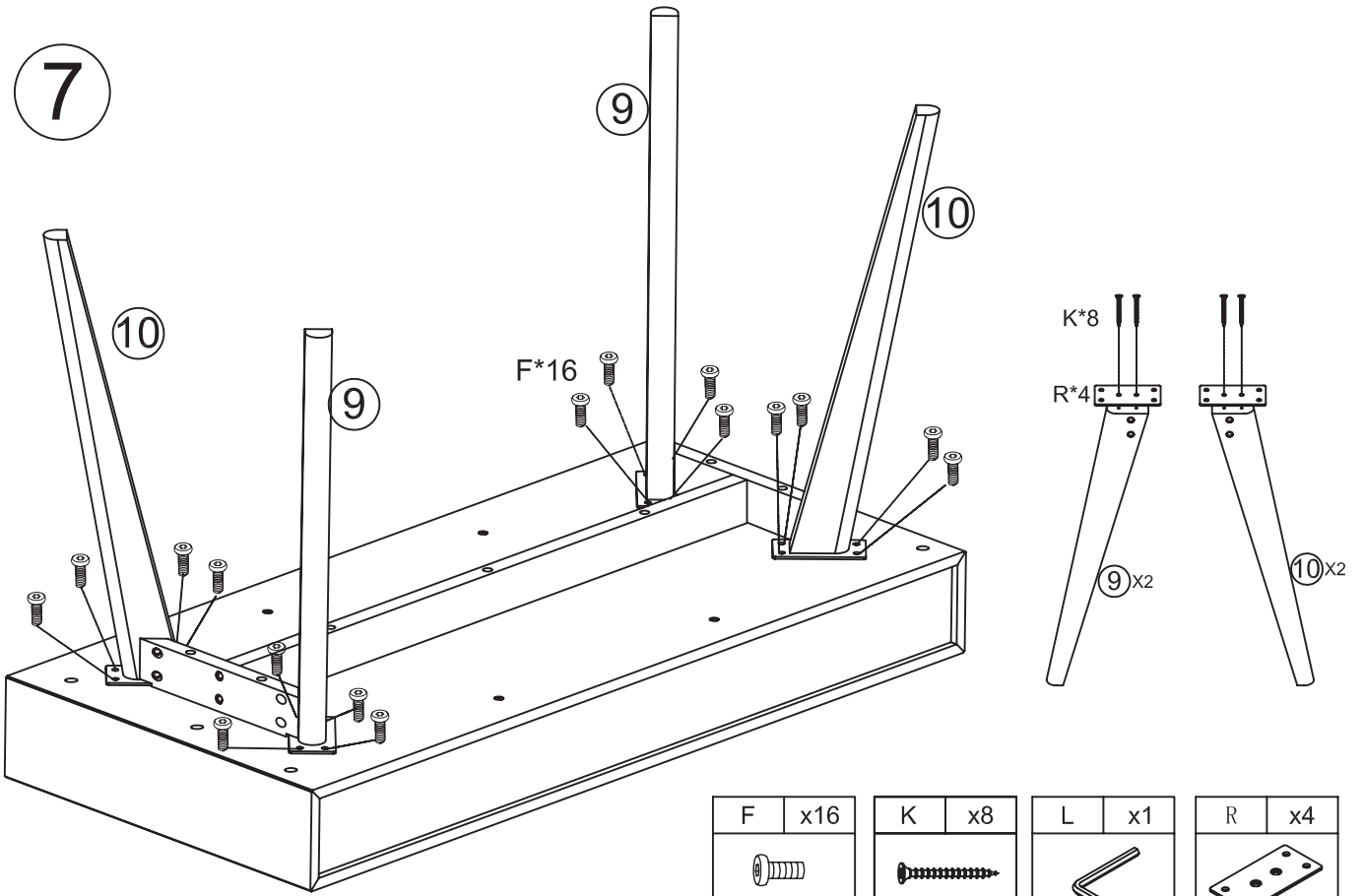
| | | | | | | | |
|-------|----|---------|----|---------|----|----|----|
| C | x6 | D | x4 | E | x4 | L | x1 |
| | | | | | | | |
| ø15mm | | M6*50mm | | ø8*30mm | | M4 | |

6



| | | | | | |
|---------|----|---------|----|----|----|
| D | x4 | H | x7 | L | x1 |
| | | | | | |
| M7*50mm | | M6*60mm | | M4 | |

7



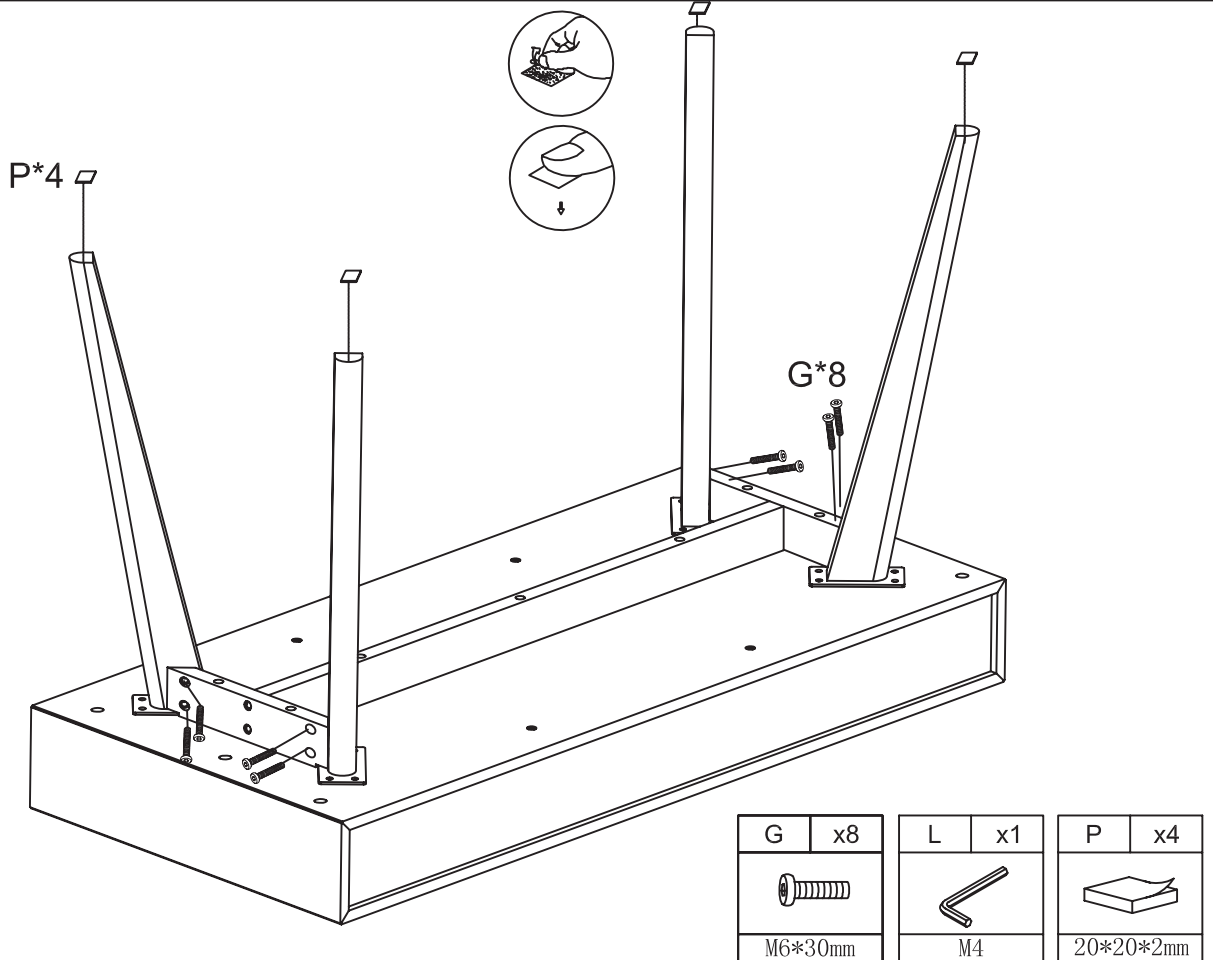
| | |
|---------|-----|
| F | x16 |
| | |
| M6*12mm | |

| | |
|---------|----|
| K | x8 |
| | |
| M5*50mm | |

| | |
|----|----|
| L | x1 |
| | |
| M4 | |

| | |
|------------|----|
| R | x4 |
| | |
| 120*60*3mm | |

8

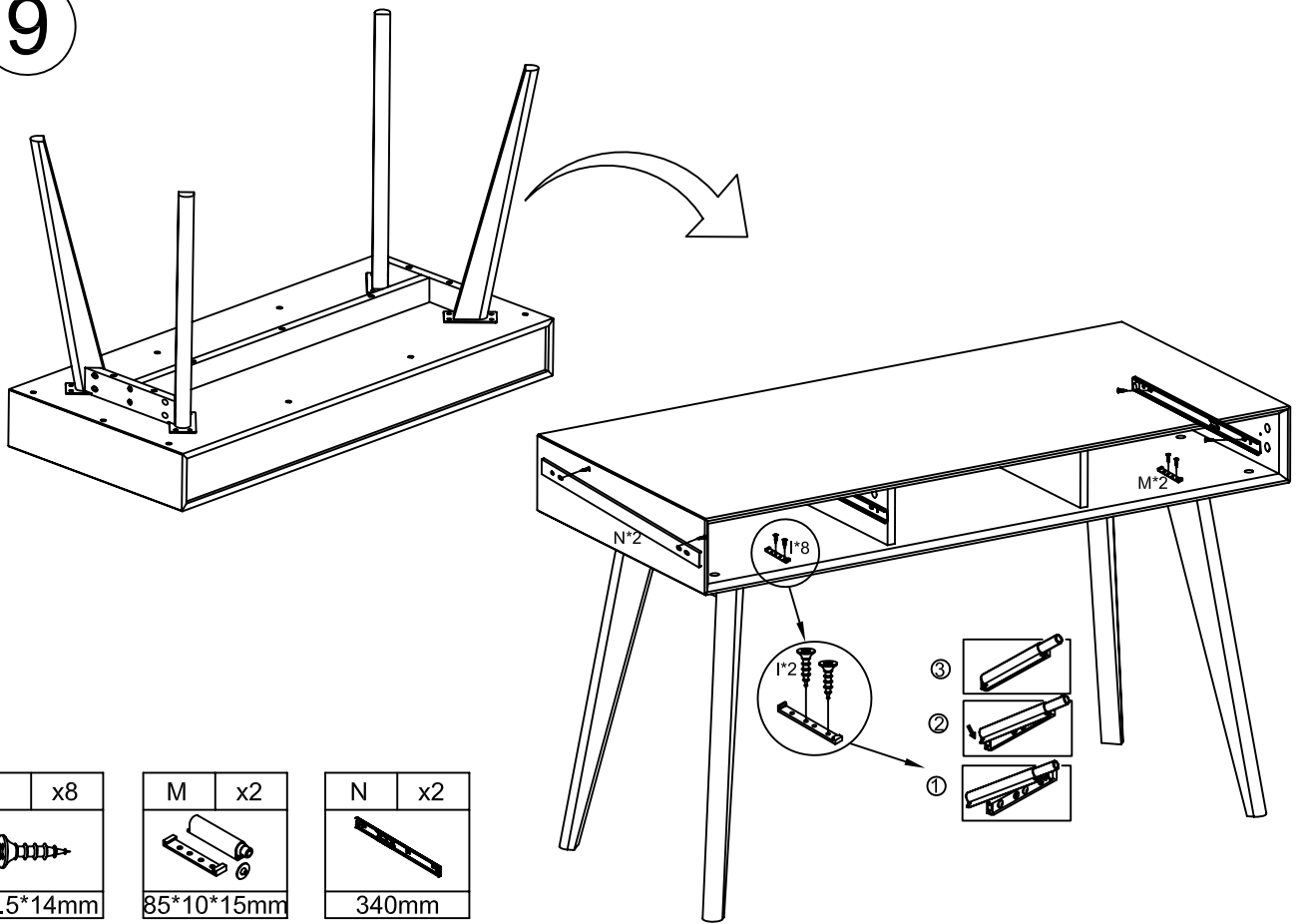


| | |
|---------|----|
| G | x8 |
| | |
| M6*30mm | |

| | |
|----|----|
| L | x1 |
| | |
| M4 | |

| | |
|-----------|----|
| P | x4 |
| | |
| 20*20*2mm | |

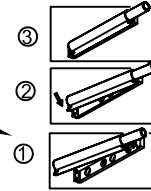
9



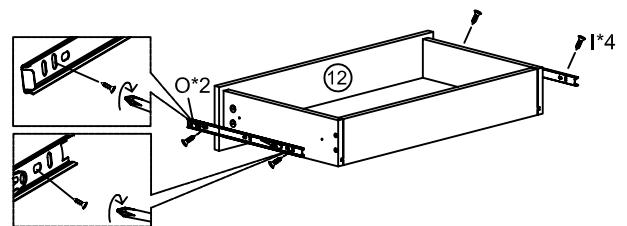
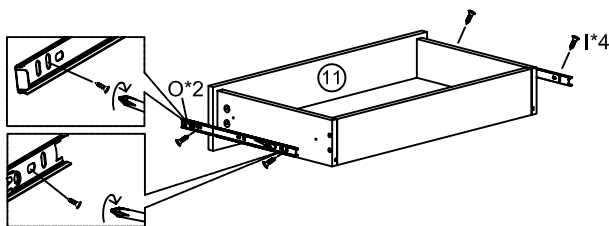
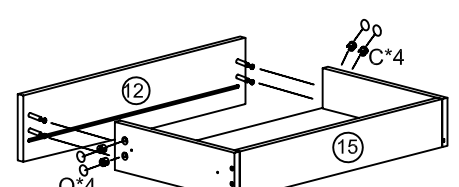
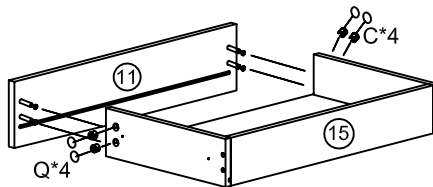
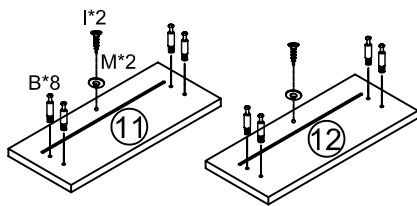
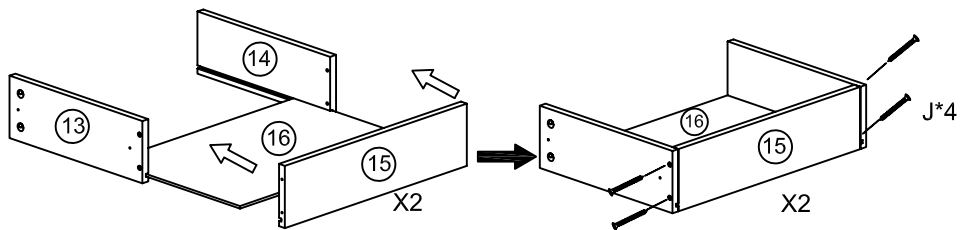
| | |
|-----------|----|
| I | x8 |
| | |
| M3.5*14mm | |

| | |
|------------|----|
| M | x2 |
| | |
| 85*10*15mm | |

| | |
|-------|----|
| N | x2 |
| | |
| 340mm | |



10



| | |
|---------|----|
| B | x8 |
| | |
| M6*35mm | |

| | |
|-------|----|
| C | x8 |
| | |
| ø15mm | |

| | |
|-----------|-----|
| I | x10 |
| | |
| ø3.5*14mm | |

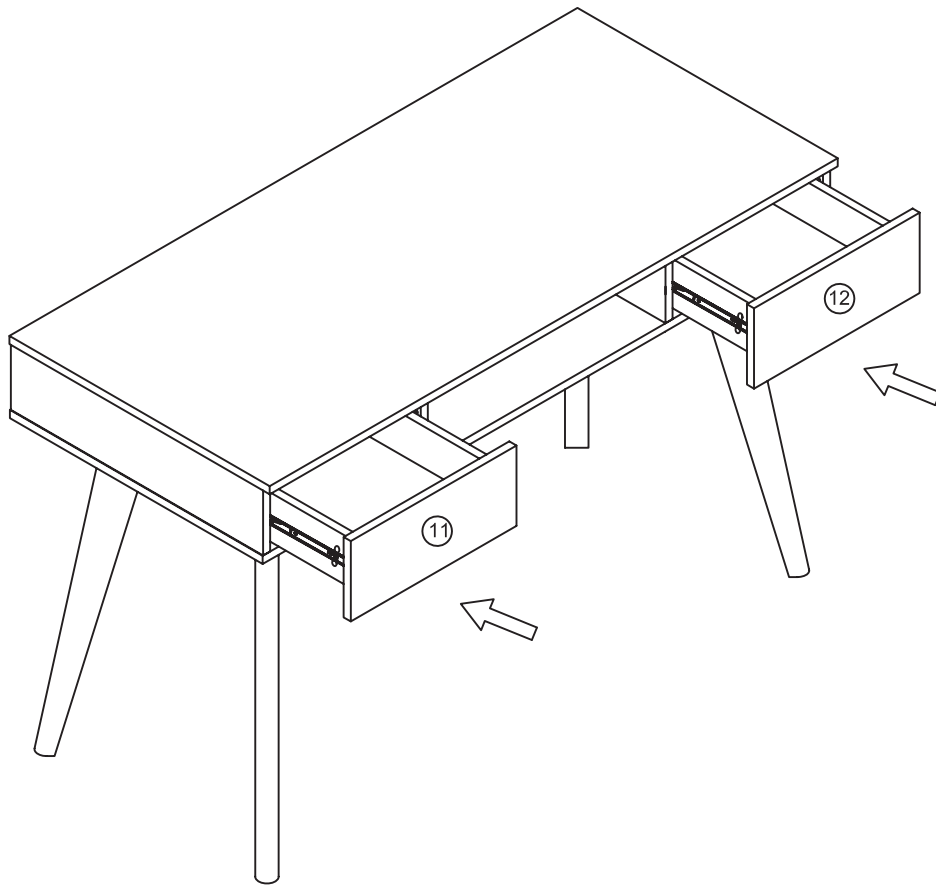
| | |
|-----------|----|
| J | x8 |
| | |
| ø3.5*35mm | |

| | |
|------------|----|
| M | x2 |
| | |
| 85*10*15mm | |

| | |
|-------|----|
| O | x4 |
| | |
| 340mm | |

| | |
|-----|----|
| Q | x8 |
| | |
| ø20 | |

11



12

