

Warming Rack

Instruction Manual & Guarantee

Dualit®

Since 1945



GUARANTEE

If your accessory fails within one year from date of purchase, we will repair or replace it free of charge provided:

- You have not misused, neglected or damaged it.
- It has not been modified.
- You supply your receipt to show when you bought your sandwich cage.

The guarantee does not affect your statutory rights.

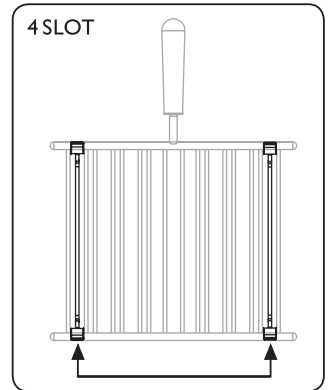
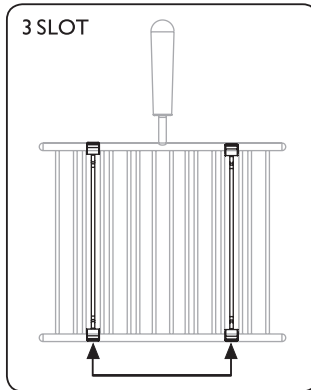
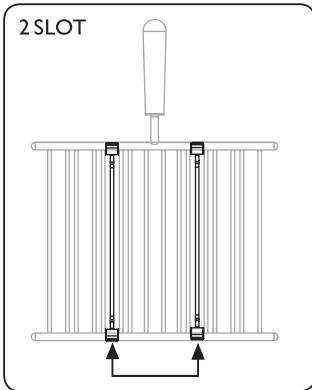
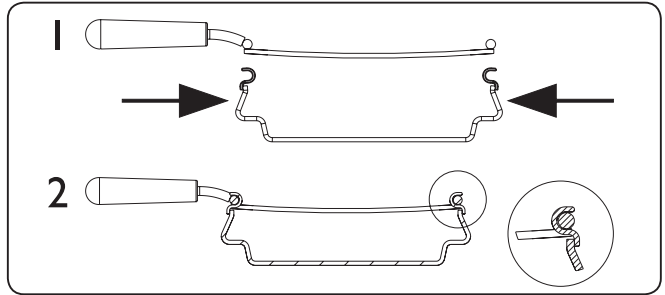
Further advice on using your Dualit Sandwich Cage and other products in the Dualit range is always available:

Contact the Dualit Customer Care Line on +44(0) 1293 652 500, (09:00 to 17:00 Monday to Friday) or, alternatively email your enquiry to info@dualit.com.

ASSEMBLY

Clip the two supporting brackets in the correct position for your size of toaster.

The diagrams below show the configuration of the supporting brackets for your size toaster.



INSTRUCTIONS

Place the warming rack on top of the toaster

Turn the toaster on, allow approximately 30 seconds for the elements to heat up before placing item on the warming rack.

Use for a maximum of 3 minutes and then allow the toaster to fully cool between each use.

CAUTION

The Dualit warming rack is designed to be used with Dualit Classic toasters only. Exceeding the recommended usage time may damage the heating elements or activate the thermal cut-out fuse.

CLEANING

The warming rack can be cleaned using warm soapy water and is dishwasher safe.