

1. 자재 사양

① 사이즈 150 x 220 mm

② 인쇄도수 표지- 1도 인쇄
내지- 1도 인쇄

③ 지류 M 메트지 100g

④ 페이지 20페이지

⑤ 제본 중철

⑥ 후가공 없음

3. 제작 및 수정일자

1. 2022.03.03_V.01

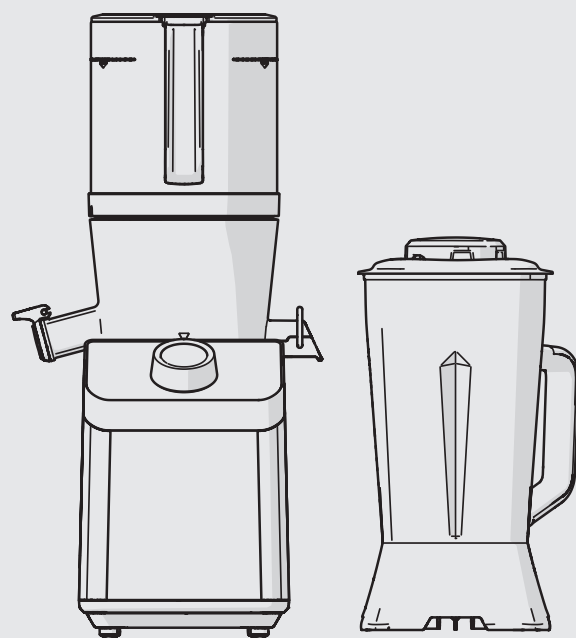
4. 수정사항

1. 해당없음

2. 기재 언어

영문

※ 발주용 인쇄시 본 페이지(시방서) 삭제 후 진행



HUROM™

CONTENTS

- P.02 1. Precautions for Safe Use
- P.03 2. Precautions During Use
- P.04 3. How to Assemble Juicer
- P.06 4. How to Assemble Blender
- P.07 5. Power Switch and Jog Dial Guide
- P.08 6. How to Use Juicer
- P.10 7. How to Use Blender
- P.12 8. Food Ingredient Usage Guide for Juicer
- P.13 9. Food Ingredient Usage Guide for Blender
- P.14 10. How to Clean Juicer
- P.15 11. How to Clean Blender
- P.16 12. Before Requesting for Repair
- P.17 13. Error code

Before Reading Manual

1. Read 'Precautions for Safe Use' (p. 2-3) and use the appliance properly.
2. After reading the manual, keep it in a convenient location for future reference.
3. Do not use it abroad which has different power supply and voltage.
4. Any quality improvements is subject to change without notice.



1. Precautions for Safe Use.

This symbol indicates a potentially dangerous situation and control. Please read the details carefully and follow the instructions to avoid dangerous situations. A violation of any of the warning marks may cause a serious injury or death, or considerable damage to the product.

- Do not use any current other than that specified on the warranty card and product specifications. It may cause electric shock, fire and/or performance impairment. Connecting to a different voltage may reduce the motor's lifespan or lead to a malfunction. For safety, ground the power outlet at all times. Also, do not ground it to a gas pipe, plastic water pipe, or telephone line.
- If the sheath of the power cord is peeled off or severed during use of the product due to negligence, it may cause fire and/or electric shock. Thus, please frequently check the condition of the power cord, power plug and power outlet. When the power cord is damaged, do not repair or remodel modify it yourself and, instead, visit an after-sales service center or branch store. Securely insert the power cord all the way into an outlet.
- Do not bend, tie, damage or pull the power cord by force, or place it near a high temperature or heat such as a gas stove. Also, do not place any heavy object on top of the product, wedge it into a narrow space, or alter it. It may damage the power cord and cause fire and/or electric shock.
- Do not press buttons and insert or pull the cord with wet hands. It may cause electric shock, a short circuit and/or fire. Do not let any foreign substances get on into contact and/or near the switch.
- Do not use the product in a place with a high humidity level or risks of fire. Do not place the device on top of or near a hot gas stove, microwave or any kitchen appliance.
- Do not attempt to modify it under any circumstances. Also, do not attempt to dismantle or repair it yourself. Do not insert any foreign objects such as a finger, chopstick, spoon, fork or iron pin into any crack or hole in the product.
- When the power plug is damaged, do not repair or attempt to modify it yourself and, instead, contact the HUROM Customer Service Center for an inspection.
- Do not moisten or splash water on the product body. If water or foreign matter gets into the product body, pull out the power plug and then contact the HUROM Customer Service Center.
- Do not soak the product body in water to clean it. Do not let water get on the power plug. Do not wipe the product with a paint thinner, benzene or spray-type chemical. Please store the product away from a place of high temperature and humidity.
- Do not install and use the product in a place such as a sink and bathtub where water may get into it. Do not control buttons with wet hands. Use the product only on a flat and dry floor. Make sure that no water or foreign material contacts the product's power switch.
- Do not use several electric alliances simultaneously by plugging them all into a single multi-tab power strip or outlet. Please use an exclusive outlet.
- Do not move the product during operation, and do not insert hands, tools or anything other than ingredients and the pusher into the container. Insertion of hands, tools, etc. may cause a serious injury, accident and/or malfunction.
- Those who are not familiar with the handling of this product should not use it alone. Those who experience physical and/or mental discomfort, those who lack experience and knowledge, and children should use the product with a guardian.
- Do not use it within children's reach. Children should be carefully supervised so that they do not use this device for play. There is a risk of an injury or malfunction if children accidentally hit and knock it down.
- For children, even a minor burn may be extremely dangerous. Educate children so that they learn the habit of practicing caution about hot liquids.
- Turn off the power and pull out the power plug when installing or detaching an accessory, when the product is not used, or before cleaning. Make sure to pull out the power cord before cleaning or when it is not in use. Also, when pulling the power cord, make sure to grab the plug to pull it.
- Make sure to remove the power plug from the outlet before cleaning the product. Do not clean the product in an incorrect method. Do not clean it by a method not specified in the user manual. Make sure to refer to the user manual for cleaning.
- Use it in place with a level surface. Do not use the product outdoors, or exert any excessive shock to or drop the product. Do not use the product while it is damaged.
- Do not use the product while wearing or possessing an article with magnetic forces (e.g. magnetic bracelet). Keeping an item with magnetic forces near the product may cause a malfunction.
- The smell experienced when using a new product will naturally go away over time. It is a common phenomenon and has no issue during use.
- Use of an excessively large amount of ingredients may damage the parts.
- Please remove all packaging and labels before use. All protective materials attached to the container should be removed before use.
- For safety, please keep packaging materials (plastic bags, buffer materials, etc.) out of children's reach.
- Prior to use, check if it is bound (assembled) at the correct location.

- Do not use this household-use product for commercial purposes. Use of the device for an incorrect purpose or method or a failure to comply with the above guideline may cause a serious injury or death, or considerable damage to the product.
- Do not clean the product at a temperature of 80°C or higher. Do not place it in a dishwasher, dryer, microwave, etc.
- If the product is not cleaned immediately after use, the pulp may dry up, which makes it difficult to disassemble and clean it and also cause performance impairment. So, if possible, clean it immediately after use. Do not use the blender as a storing container. Please empty the container after use.
- Make sure to thoroughly understand how to prepare ingredients and prepare them properly before inserting them.
- Do not conduct any idle run of the product before inserting any ingredients.
- When using the product, be careful so that a tie, long necklace, scarf, etc. do not get into the inlet.
- Do not use the device if a rotating body (screw, cutting blades, stainless blades of the blender) or a cover (hopper cover, blender cover) is damaged or cracked. If the device is damaged, do not use it and contact the HUROM Customer Service Center for an inspection or repair.

2. Precautions During Use

When Using Juicer

- Do not use it for more than 30 minutes continuously. It may overheat the motor to and cause a malfunction. However, when using it continuously, pause the operation and use it after a break of over 5 minutes.
- Poorly prepared ingredients may hinder the extraction process and/or cause damage to the product.
- Do not use this juicer for grinding grains.
- Ingredients in need of extra care when using the juicer and ingredients unable to be juiced, Ingredients in need of extra care
 - When using soft ingredients alone such as bananas, aloe, cactus, yams, ripened kiwi and tomatoes, the juice may stagnate inside the chamber, which can make juicing difficult. Please add other ingredients that are not too soft.
 - When inserting walnuts, peanuts, almonds, sunflower seeds, pine nuts, beans, etc., add only a small amount or add them with other ingredients after soaking them in water.
- Ingredients unable to be juiced
 - Do not insert ingredients that cannot be juiced such as sesame seeds, coffee beans, Chinese peppers, tree bark and pine needles. Do not insert mudfish, eels, shrimp, marsh snails, squid, etc.
 - Do not insert fruits soaked in alcohol, honey or sugar (grapes, raspberries, mulberries, etc.) and enzymes (glasswort, rock pine enzymes, etc.).
 - Do not insert ingredients whose attributes make them difficult to be juiced such as silverberries, aloe, cactus, quince, bananas, yams, kudzu root, sugar cane, acorns and dandelions.
 - Do not insert boiled ingredients such as boiled potatoes and sweet potatoes. Do not use it for grinding grains.
 - Do not use frozen ingredients for extraction.
- It is recommended that you consume extracted vegetable juice immediately, if possible, and do not store it for a long period of time.
- While the product is in operation, do not lift the container or open the cover. Do not conduct any idle run of the product. It may shorten the product's lifespan.
- Do not re-extract juice from pulp that has already been juiced.
- Do not insert ingredients into the hopper above the guided

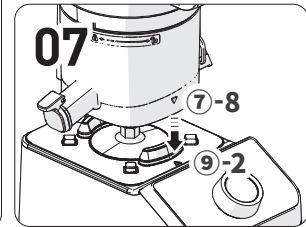
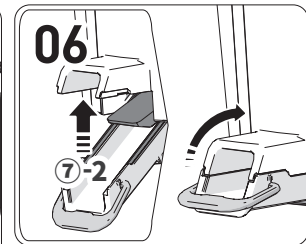
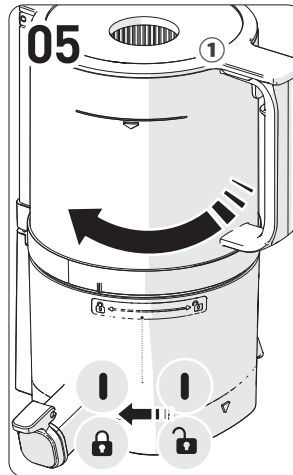
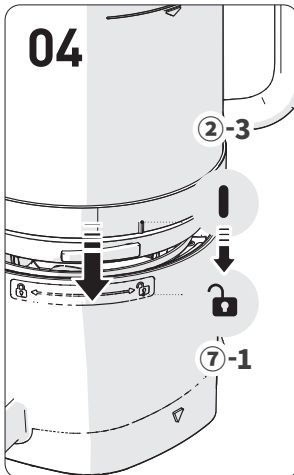
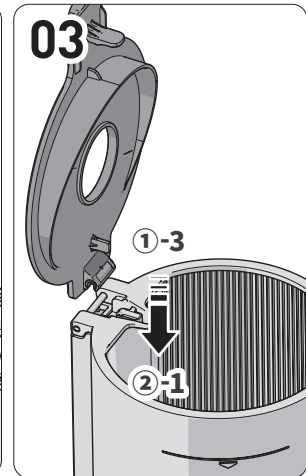
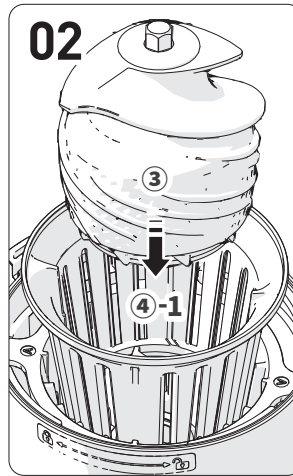
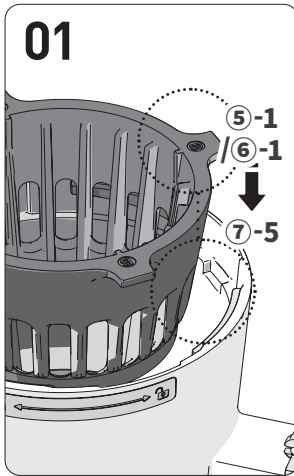
limit mark.

- Do not insert a chopstick or spoon into the juice/pulp outlet during operation.
- When inserting ingredients, do not use anything other than the pusher. It may damage the parts or cause a bodily injury and/or malfunction.
- Juice or pulp may overflow. The juice can flow backwards into the hopper if the juice cap is closed while juicing.
- When juicing frozen fruits or ingredients that have freezer burn as they have been stored in the freezer for too long, the amount of extraction is small or it may be impossible to extract at all.

When Using Blender

- Do not use it continuously for a duration longer than the standard usage time. It may overheat the motor and cause a malfunction. If it has to be used for longer than the standard usage time, do so with a gap of 30 minutes or longer. In Manual Mode, use it for 1 minute, 8 times (1 minute of operation followed by 1 minute of stoppage, prohibited to use 9 consecutive times) and, in Auto Mode, use it once for 7.5 minutes (7.5 minutes of operation followed by 30 minutes of stoppage, prohibited to use 2 consecutive times).
- When detaching the container during operation, do so after the blades come to a complete stop. When removing food or mixing ingredients, make sure to do so after separating the container from the product body.
- Operate the blender only when the cover is closed.
- When the power is on, do not remove the food stuck on the walls of the blender container or mix the ingredients. When removing food or mixing ingredients, make sure to do so after separating the container from the product body. For re-operation, stop the device completely before use.
- When inserting hands or kitchen tools in the container, make sure to pull out the plug after the device stops operating completely. When touching or cleaning the blades, be careful not to touch the sharp edges. Be careful not to cut your hands by the blades.
- Do not pour water of an amount greater than the maximum allowable capacity specified on the recommended usage diagram. The amount of water or food ingredients should be maintained over the minimum (100ml) mark and below the maximum (1,000ml) mark. Please use the recommended amount. If water or food ingredients are filled over the maximum limit, they may overflow.
- Do not touch sharp blades with bare hands. Use a cleaning tool such as a cleaning brush to wash the product.
- When separating the product body and blender, wait until the blades come to a complete stop. Do not separate the blades and container. Blades cannot be detached from the container. Please be mindful of your safety.
- This is a product that performs high-speed rotation so it produces noise during rotation. It is a common phenomenon and has no issue during use. If the device produces excessive heat or smoke, stop using it immediately and contact the HUROM Customer Service Center.
- Use the pusher for cold ingredients only and, to prevent overheating, do not use the Manual Mode for over 1 minute. Do not insert hot ingredients to cook. For hot ingredients, cool them at room temperature before placing them in the container.
- When making a smoothie, break the solid, frozen ingredients into fine pieces before placing them in the container.
- Processing extremely hard spices such as nutmeg or ingredients like Phellinus linteus roots may damage the blades.

04 3. How to Assemble Juicer



01 Match the protruded part at the top of the outer filter (5-1/6-1) with the chamber's groove (7-5) to assemble.

02 Assemble the inner filter and screw on the outer filter, which is assembled on the chamber.

Assemble them so that the binding point of the inner filter (4-1) joins the protrusion at the top of the outer filter (5-1/6-1).

03 Assemble the hopper cover (1-3) vertically onto the hopper (2-1).

04 Align the hopper [] assembly guide mark (7-1) with the chamber [] assembly guide mark (2-3) to assemble them.

05 Turn the assembled hopper clockwise up to the chamber [] assembly guide mark.

If the internal parts are not assembled correctly, the hopper will not close.

06 Check if the discharge cover (7-2) and the loop of the chamber are properly closed.

1. Lift the discharge cover to close it and fasten it with the loop.

2. If the packing is not correctly assembled or the lever is not properly closed, juice may leak or the lever may open during extraction.

07 Place the correctly assembled chamber set onto the product body according to the chamber guide mark (7-8) and the product body guide mark (9-2).

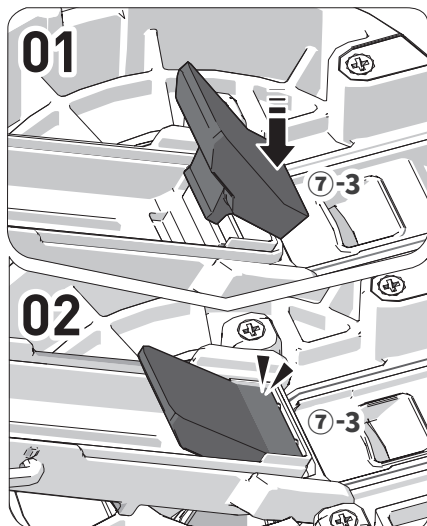
If the hopper is assembled on top of the product body, the hopper is not locked all the way due to the orange "looseproof bump".

If the chamber is not settled according to the guide mark, turn it slightly left and right to settle it at the guide mark.

* Packings are consumables that are recommended to be replaced once every 6 to 12 months. They are available for purchase through the Customer Service Center.

(The juice may leak if the product is not assembled

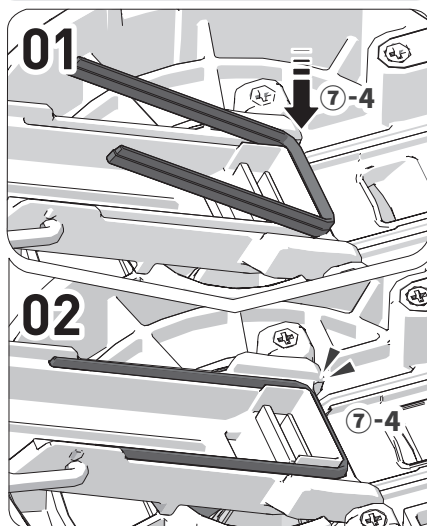
Extraction Packing



01 Hold and take out the packing as if you are pulling it back.

02 After cleaning, insert the packing as shown in the figure and then press it down.

Seal Packing

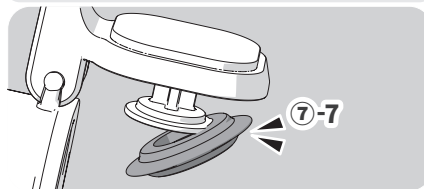


01 Hold and take out the packing as if you are pulling it back.

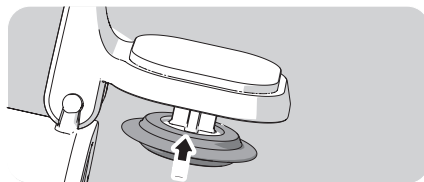
02 After cleaning, insert one side of the packing first as if you are hooking it.

03 Insert the remaining part and press down the perimeter.

Juice Cap Packing

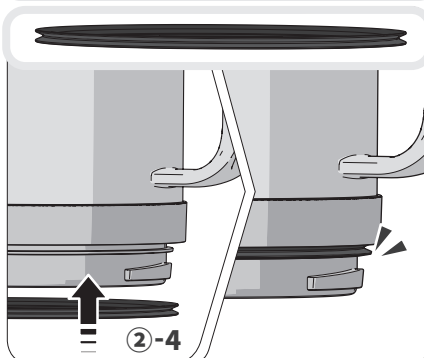


01 After cleaning, insert one side of the packing first as if you are hooking it.



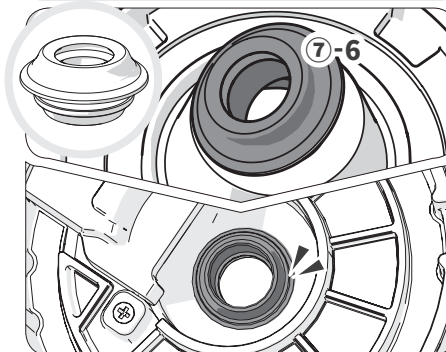
02 Insert the remaining part and press down the perimeter.

Hopper Packing



Assemble the packing as shown in the figure.

Chamber Packing

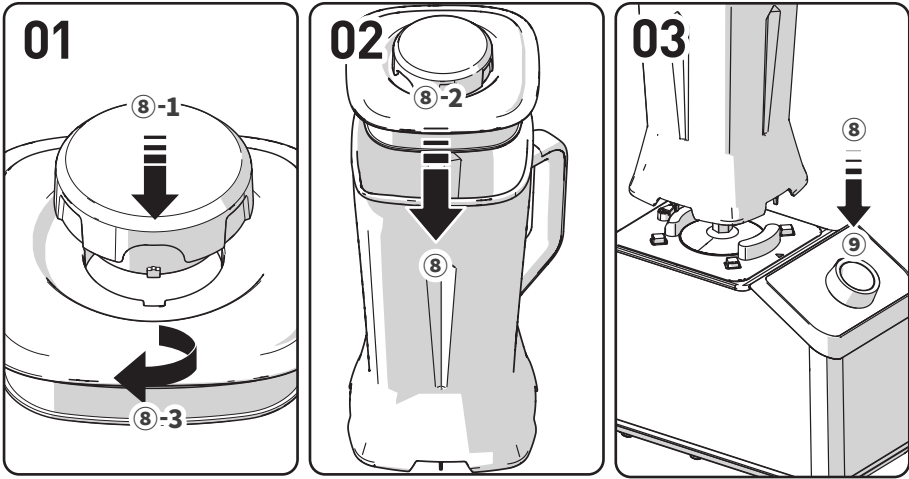


01 Grab one side and pull it back to detach it.

02 After cleaning, check the top and bottom of the packing and insert it as if you are hooking one side.

03 Firmly press the remaining part of the packing without any folded area to assemble.

06 4. How to Assemble Blender



01 Fit the auxiliary cover (measuring cup) (8-1) on the container cover (8-3) and turn it clockwise to lock it.

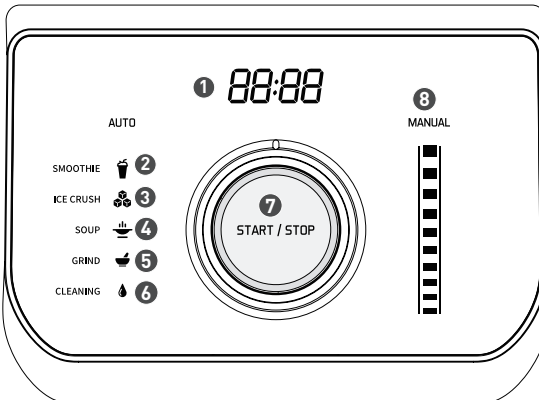
02 Put the desired ingredients into the container. Fit the container cover (8-2) into the container (8) and close it.

03 Install the assembled blender container (8) on the product body (9).

If the power display lamp on the control and display panel is lit, the blender is ready for operation. All four surfaces of the blender container are assembled.

Before operating the product, check if the product body, container, cover and switch have all been assembled in the correct positions. If the container is not correctly installed on the product body, the blender will not work properly and the power display lamp will not be lit.

Blender Control Panel



① LED Display

② [SMOOTHIE] For smoothies

③ [ICE CRUSH] For ice or frozen fruits

④ [SOUP] For soup

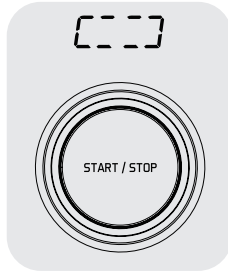
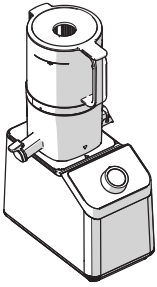
⑤ [GRIND] For grinding

⑥ [CLEANING] For cleaning

⑦ Jog Dial / [START/STOP] button

⑧ [MANUAL] Manual Mode display lamp

< Juicer Standby Mode (container present) >



OPERATE

- It works when the [START/STOP] button is briefly pressed in the Standby Mode.
- It is used when activating the product for juicing.
- It is automatically terminated and switched to the Standby Mode after 5 minutes elapse from the start of the operation. If the chamber cover is opened and then closed during operation for additional insertion of ingredients, the timer is reset.

* If the hopper cover is opened during operation, the product stops. If the hopper cover is closed again within 60 seconds, the operation continues. But, if 60 seconds elapse, the operation automatically stops and it switches to the Standby (stop) state.

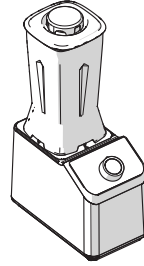
STOP

- This is used to stop the product's operation.
- The product stops when the [START/STOP] button is briefly pressed in the operation state.
- * If the chamber set is not installed, all lamps are turned off.
- * When 1 minute has elapsed from the Standby (stop) state, the product enters the power saving mode (light turned off). If the [START/STOP] button is pressed or the chamber set is assembled, the power saving mode is deactivated and it switches to the Standby (stop) state.

REVERSE ROTATION

- This is used when the operation pauses or a reverse rotation is needed due to excessive insertion of ingredients during extraction.
- * It works only when the [START/STOP] button is pressed for over 1 second, and it stops when the switch is released.
- * If the screw stops during extraction, the product automatically rotates in reverse but, if the power is unstable, the reverse rotation may not work. In such a case, press the [START/STOP] button for over 1 second to activate a reverse rotation and then press the [START/STOP] button again briefly to activate.

< Blender Standby Mode (container present) >



Manual Mode 01

Turn the jog dial clockwise to operate the device at a desired speed.

Once cooking finishes, return the jog dial to the [Power Display Lamp] position.

* The motor stops automatically after max. 1 minute of operation.

Manual Mode 02 (Pulse Mode)

While the [START/STOP] button is pressed, the motor operates at the maximum speed.

Once the button is released, the operation stops and it switches to the Standby (stop) state.

* The motor stops automatically after max. 1 minute of operation.

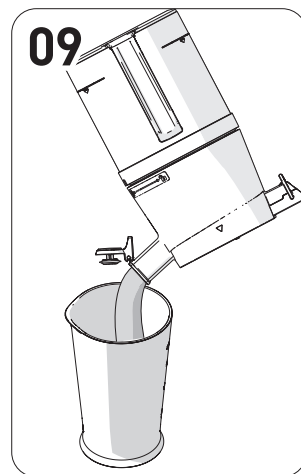
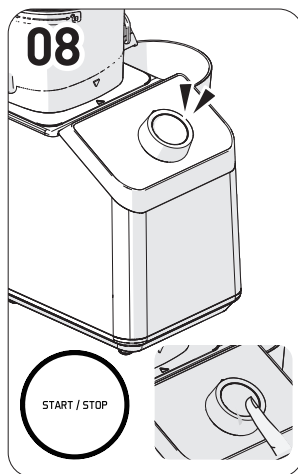
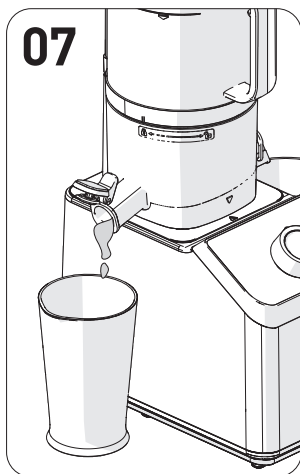
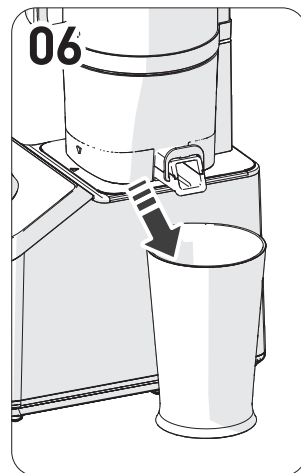
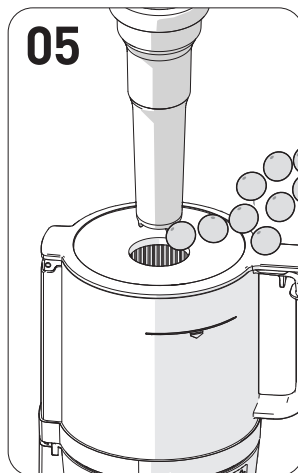
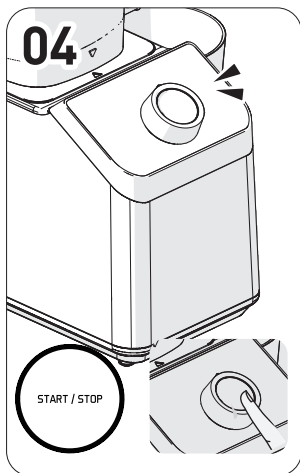
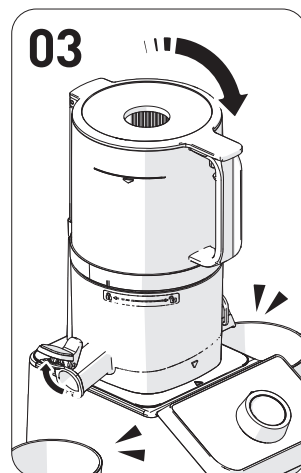
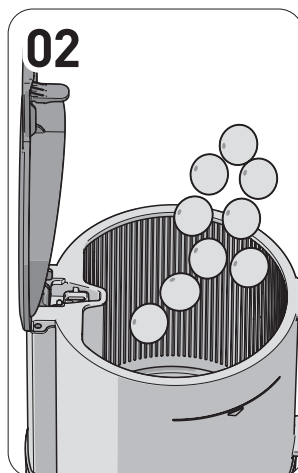
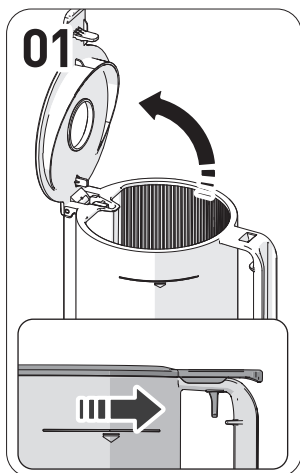
When you turn the jog dial in Auto Mode

the LED of the desired program mode is lit and, once the [START/STOP] button is pressed, the selected [Auto Mode] begins.

Once cooking finishes, the operation stops automatically.

To stop the operation, return the jog dial to the Power Display Lamp position or press the [START/STOP] button, which cancels the operation and switches to the Standby Mode.

08 6. How to Use Juicer



6. How to Use Juicer

01 Pull the lever on the inside of the hopper handle to open the hopper cover.

① The hopper cover opens when pulling the lever on the inside of the hopper handle. Insertion of an excessive amount of ingredients may put too much strain on the product.

02 Add ingredients only up to the limit mark of the hopper.

- ① For soft ingredients, mix them with other ingredients for extraction.
- ② When extracting a large amount, frequently empty the chamber and pulp container.

03 Close the hopper cover and keep the juice cap open.

- ① Before turning the extraction dial, place the juice container first.
- ② The juice may flow backward into the hopper if the juice cap is closed during extraction. If the juice does not come out even after opening the juice cap, open the hopper cover and empty the contents.

04 Press the [START/STOP] button to start operation.

- ① If the screw stops during operation, the product automatically rotates in reverse and then goes into a normal operation. But, if the power is unstable, the reverse rotation may not work automatically. In such a case, press the [START/STOP] button for over 1 second to activate a reverse rotation and then press the [START/STOP] button again briefly to activate.
- ② A timer, which automatically stops after about 5 minutes from the start of operation, is set. If the [START/STOP] button is controlled during operation or the hopper cover is opened and then closed, which pauses and then restarts the machine, the timer is reset to 5 minutes again.

05 To add more ingredients during operation, use the additional inlet or open the hopper cover.

- ① When the hopper cover is opened, the operation stops.
- ② Do not use anything other than the designated pusher.
- ③ In case the screw spins but the ingredients fail to be ground in the hopper during extraction, use the pusher to press the ingredients down.

06 Frequently empty out the pulp container and juice container so that they are not filled up.

07 Let the machine operate for about 1 more minute after all ingredients go down in the hopper.

- ① It slowly presses and squeezes the ingredients so it takes some time until the last ingredient is juiced.
- ② Removing the remaining pulp by additionally operating the machine after extraction makes it more convenient to detach the hopper and clean the parts.

08 Once the juicing and pulp removal are finished, press the [START/STOP] button to stop the machine.

- ① The machine stops 3 seconds after it is stopped by the [START/STOP] button.

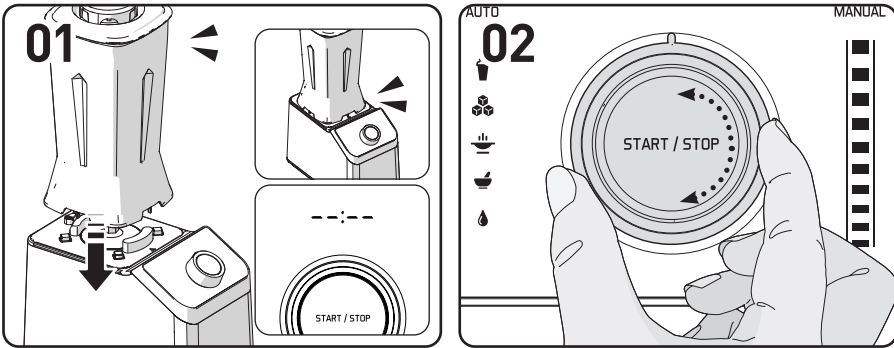
09 Pour any remaining juice by tilting the chamber forward.

- ① For thickly concentrated juice made of tomatoes, etc., the juice may still remain in the chamber.

Note

The reverse rotation is a function that returns the ingredients upward. It only works while the [START/STOP] button is pressed and, once you lift your finger from the button, the screw stops rotating. After the screw is completely stopped after a reverse rotation, press the [START/STOP] button briefly to start the operation again. When operating the extraction or reverse rotation function, make sure to press the [START/STOP] button after the screw stops moving completely. If the machine does not work even after following the above steps, pull out the power cord from the outlet, detach the chamber set, wash it and use it again. Due to its characteristics, the motor will not stop at once but, instead, continue to spin slowly in the direction of operation before coming to a complete stop.

7-1. Manual Mode



Manual Mode 01: [Min / Max] Speed control dial

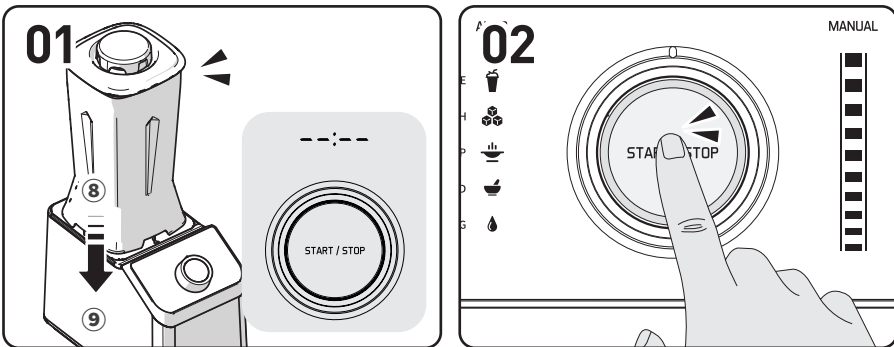
01. Check if the container in which ingredients are inserted is installed on the product body and if the cover is closed.

* If it is not prepared, please refer to How to Assemble Blender on Page 06.

02. Turn the jog dial clockwise to operate the device at the desired speed.

Once cooking finishes, return the jog dial to the [Power Display Lamp] position.

* The motor stops automatically after max. 1 minute of operation.



Manual Mode 02: Pulse Mode

01. Check if the container in which ingredients are inserted is installed on the product body and if the cover is closed.

* If it is not prepared, please refer to How to Assemble Blender on Page 06.

02. While the [START/STOP] button is pressed, the motor operates at the maximum speed.

Once the button is released, the operation stops and it switches to the Standby (stop) state.

* The motor stops automatically after max. 1 minute of operation.

※ **Warning**

Do not remove the container until the blades stop rotating completely and the speed control dial returns to the [Power Display Lamp] position.

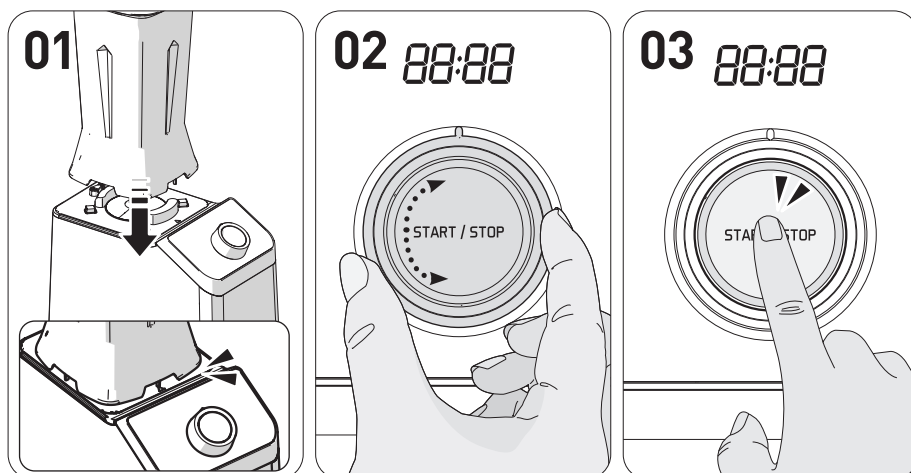
Once the container is detached from the product body while the speed is being controlled, the Operation Display Lamp on the body is turned off and the motor stops.

As soon as the container is re-installed on the product body, the Power Display Lamp on the body blinks.

For a normal operation again, return the speed control dial to the [Power Display Lamp] position.

Then, the machine will operate normally again.

7-2. How to Use Auto Mode

**Auto Mode: SMOOTHIE, ICE CRUSH, SOUP, GRIND, CLEANING**

01. Check if the container in which ingredients are inserted is installed on the product body and if the cover is closed.

* If it is not prepared, please refer to How to Assemble Blender on Page 06.

02. Turn the jog dial counterclockwise to select a desired Auto menu.

* You may choose from 5 Auto menus and please refer to the following table for each menu.

03. When pressing the [START/STOP] button, the selected [Auto Mode] begins.

Once cooking finishes, the operation stops automatically.

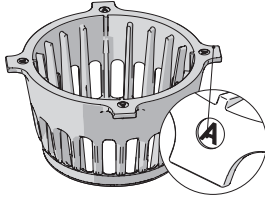
* To stop the operation, return the dial to the Power Display Lamp position or press the [START/STOP] button, which cancels the operation and switches to the Standby Mode.

Auto Program	Purpose of Auto Program	Recommended amount of use	Program operation time
[SMOOTHIE] For smoothies	Soft and thickly concentrated smoothie using vegetables, soft fruits, nuts, etc.	Min. 100ml / Max. 1,000ml	55 sec.
[ICE CRUSH] For ice or frozen fruits	Sherbet and slushies using ice and frozen fruits	Min. 100ml / Max. 500ml (refer to the recipe)	50 sec.
[SOUP] For soup	Warm soup and latte	Min. 100ml / Max. 500ml (refer to the recipe)	7 min. 30 sec.
[GRIND] For grinding	Quickly grind dry ingredients (coffee beans, etc.) in extremely fine pieces	Max. 200g	40 sec.
[CLEANING] For cleaning	Self-cleaning mode helps easily wash even the areas that are difficult to be cleaned by hand	Min. 100ml / Max. 1,000ml	19 sec.

12 8. Food Ingredient Usage Guide for Juicer

- This is a reference on how to prepare each ingredient and, in case you have specific allergies, ingredients that suit your body must be chosen.
- Refer to the ingredient preparation method and select a filter that suits the ingredients.
- Prepare ingredients in sizes able to be inserted into the hopper. If you want juicing of a large volume or fast juicing, cut the ingredients into smaller pieces before inserting them. For about 1kg, repeat the "disassemble and clean after juicing" step for use.
- Do not insert ingredients into the hopper above the guided limit mark.
- When juicing ingredients other than root, leaf and stem vegetables with a fine filter, the ingredients may stagnate inside the chamber.
- When juicing fibrous fruits and vegetables with a basic filter, the juice may thicken.

8-1. Basic filter (orange)



- Use it for juicing common fruits and vegetables.
- Filter classification: The filter classification mark of [A] is displayed on the protrusion at the top of the filter.

Citrus fruits

Grapefruit, oranges, lemons, etc.

Prepare the ingredients by peeling and cutting them into smaller pieces to fit in the hopper inlet.

Fruits with thick peels

Pineapples, dragon fruit, melons, watermelons, pomegranate, etc.

Prepare the ingredients by peeling and cutting them into smaller pieces to fit in the hopper inlet.

Seeded fruits

Grapes, apples, peaches, persimmons, plums, cherries, pears, Korean melons, etc.

For ingredients containing hard, unchewable seeds or large-sized seeds such as those in peaches, make sure to remove the seeds first and cut and prepare only the flesh. Hard seeds may stop the operation or damage the parts. Apple seeds contain toxicity so remove them as much as possible. For grapes, pluck each grape from the bunch after cleaning them thoroughly. Do not extract only the ingredients that are too soft; instead, mix them with other fruits and vegetables.

Soft fruits

Single extraction (berries, cherry tomatoes, pineapples, etc.)

Thoroughly clean and cut the ingredients into small pieces that can fit in the hopper inlet.

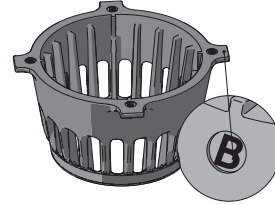
For fruits and vegetables with stalks, remove the stalks first.

Mixed extraction (strawberries, kiwi, bananas, tomatoes, mangoes, etc.)

For dry and viscous ingredients, mix them with other ingredients for extraction.

Remove the peel and stalks. For mangoes, remove seeds.

8-2. Fine filter (black)



- It is used when juicing fibrous ingredients or root, stem and leaf vegetables (for common fruits and vegetables, please use the basic filter).
- Filter classification: The filter classification mark of [B] is displayed on the protrusion at the top of the filter.

Root vegetables

Carrots, beets, ginger, sweet potatoes, potatoes, garlic, etc.

Wash the ingredients in running water to remove dirt and other foreign substances. For fibrous ingredients such as ginger, peel the outer skin and cut them in small pieces. For long ingredients, cut them vertically for extraction.

Leaf and stem vegetables


Celery, kale, cabbage, water parsley, wheatgrass, chives, etc.

Cut the ingredients into 3-cm or shorter pieces for extraction. Since leaf and stem vegetables are rough and fibrous, they are not easily juiced and can get caught in the screw.

Common item: Ingredients unable to be juiced

Inserting the following ingredients may cause damage or malfunction.

- Ingredients that cannot be juiced such as sesame seeds, coffee beans, Chinese peppers, tree bark and pine needles (mudfish, eels, shrimp, marsh snails, squid, etc.)
- Fruits soaked in alcohol, honey or sugar (grapes, raspberries, mulberries, etc.) and enzymes (glasswort, rock pine enzymes, etc.)
- Ingredients whose attributes make them difficult to be juiced such as silverberries, aloe, cactus, quince, bananas, yams, kudzu root, sugar cane, acorns and dandelions
- Boiled ingredients such as boiled potatoes and sweet potatoes
- Do not use it for grinding grains.
- Frozen ingredients

- When grinding ice, the ground ice should be smaller than 20mm and lighter than 200g.
- Do not remove the container until the blades stop rotating completely and the jog dial returns to the stop position.
- If blending is performed without the auxiliary cover, the contents may fly outside so make sure to use it after properly installing the auxiliary cover.
- Do not insert any ingredients that are not edible into the container.
- When grinding grains or dried ingredients, the powder or ground materials may be spattered out of the container. (It is recommended to grind dried ingredients 7 or fewer consecutive times (1-minute operating condition)).
- Manual Mode (jog dial control) enables to control the speed and, if it is operated too slowly, the motor may stop due to the load of the ingredients, which may subsequently generate an error (Er-06). In case the error occurs, switch to the Stop position to clear the error. Raise the speed further at the initial operation.
- When controlling the machine while the container has been removed from the product body, Empty Container ( blinks) is displayed and the machine does not operate. For normal operation, move the jog dial to the Stop position, place the container and operate it again.

Highly viscous vegetables and fruits

Ingredients with high viscosity such as steamed or boiled ingredients (sweet potatoes, autumn squash, etc.), soaked or boiled grains (soaked rice, etc.), avocados, mangoes and bananas are not mixed thoroughly if there is not enough water. Such ingredients will be ground well when inserting the ingredients and water at a 1:1 ratio. If the water content is low, blades may not move due to the viscosity of the ingredients, which may cause a malfunction or reduce the product's lifespan.

Recommended amount of use: Less than 1000ml

Hard fruits and vegetables with low water content such as

spinach, celery, carrots, apples, pears, radish, broccoli and cabbage cannot be ground well as the upper and lower sections are not mixed sufficiently. Such ingredients will be ground well when inserting the ingredients and water at a 1:1 ratio.

Recommended amount of use: Less than 1000ml

Frozen fruits and slushies

Frozen ingredients such as frozen mangoes, frozen blueberries, frozen bananas and ice-added ingredients are only ground in the lower section due to the absence of water content. Such ingredients will be ground well when inserting the ingredients and water at a 1:1 ratio.

Recommended amount of use: Less than 1000ml

Dry and hard ingredients

Grinding over 200g of dry ingredients (anchovies, shrimp, mushrooms, etc.), coffee beans, rice, etc. may put too much strain on the product. Dry grains or seafood can be ground more easily if they are roasted or stir-fried first.

Recommended amount of use: Less than 200g

Minced ingredients for seasoning

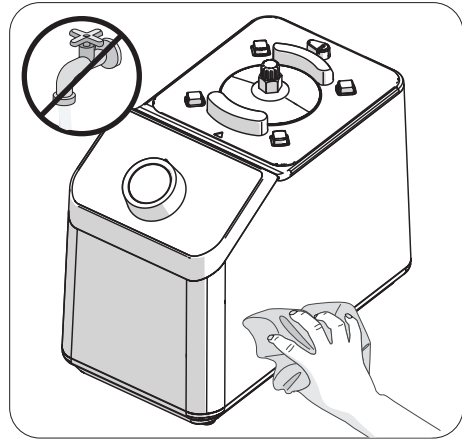
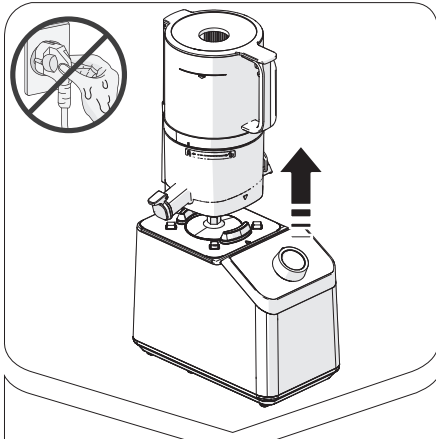
For garlic, onions, chili peppers, ginger, etc., grind them at a low speed and then stop the operation before gathering the ingredients again and re-grinding them (to be repeated 2 to 3 times). Insertion of an excessive amount of ingredients may put too much strain on the product.

Recommended amount of use: Less than 300g

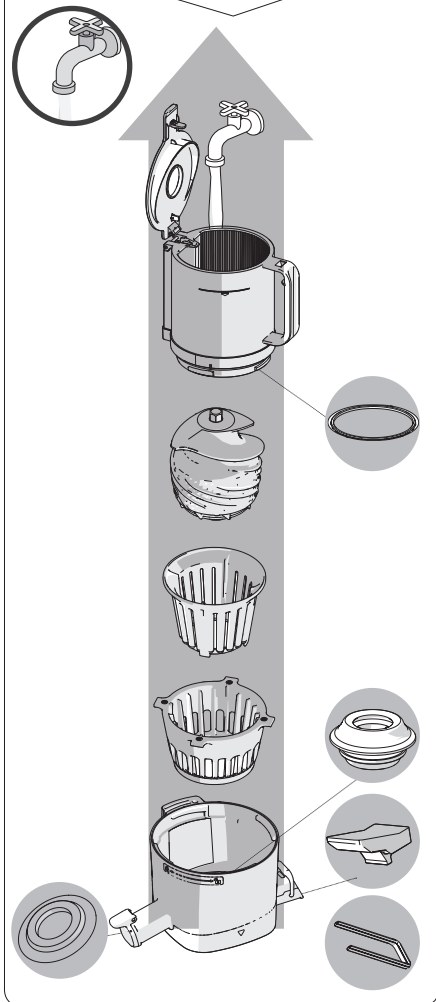
Ingredients unable to be used

Ingredients as hard as a rock, flour and other ingredients for dough, meat with large bones or many tendons, hot ingredients, hard fruit seeds, etc.

14 **10. How to Clean Juicer**



After the product stops operating completely, pull out the power cord with dry hands. Even after the product is stopped, the motor will slowly come to a stop so, after the operation stops completely, wait about 3 seconds before detaching the chamber set.



01 Detach the chamber set from the product body. Turn the hopper to open it and then sequentially pull each of the parts to disassemble them.

02 Wash the parts with a cleaning brush under running water.

03 Open the discharge cover and juice cap to clean the chamber.

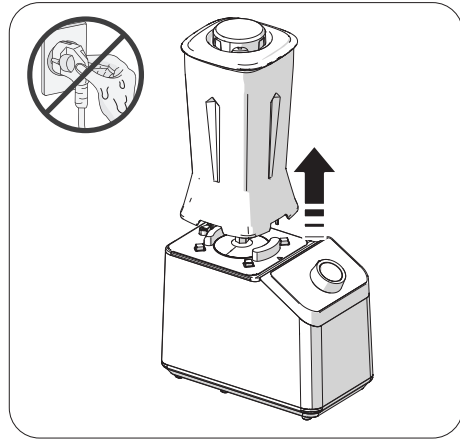
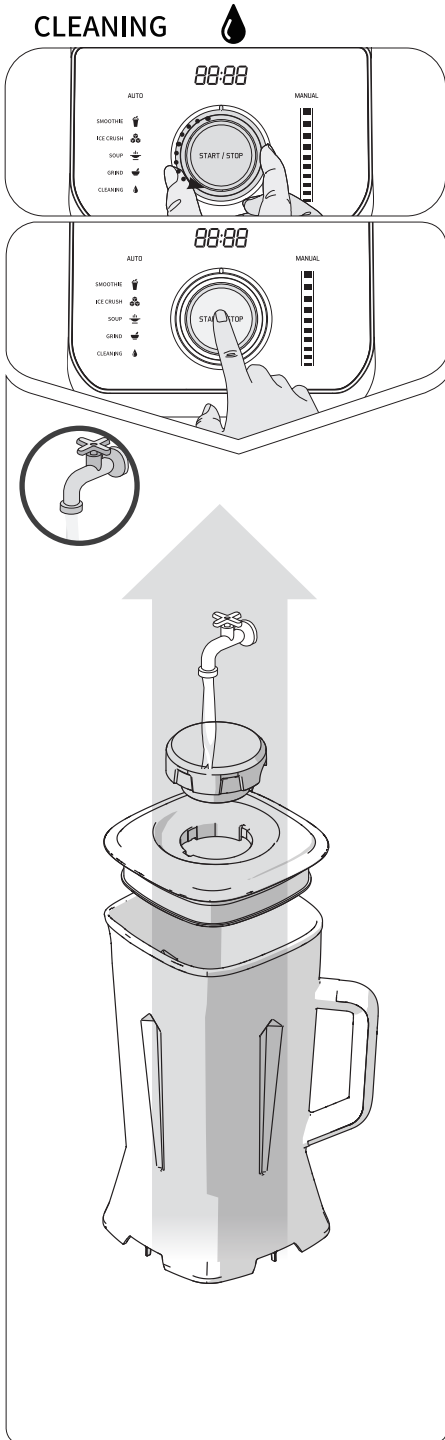
04 Wipe the product body with a damp towel or soft cloth.

05 Detach and wash silicone packings after use.
- Residues may still be stuck. (hopper packing, juice cap packing, extraction packing, seal packing, chamber packing)

06 You can sterilize the parts by soaking them in warm water diluted with baking soda, citric acid or vinegar.

※ Failure to clean the product immediately after use may cause its stainless steel parts and other parts to corrode or become discolored due to salt and pulp from the ingredients. Also, contaminants may be dried up and stuck inside, which makes it difficult to disassemble and clean them and may also cause performance impairment. Be sure to clean and air-dry it completely immediately after use and store it in a clean place. For long-term storage, use a cleaning brush to wash it. Do not clean with boiling or high-temperature water or use a cleansing sponge, steel sponge, abrasives and other sharp cleaning tools. Do not place it in a dishwasher or dish dryer.

※ If clean water is poured and shaken for washing, the pulp will come off more easily.



How to use [CLEANING] Mode

01 Pour water into the container insomuch that the blades are submerged.

02 Place the container on the product body and then assemble the container cover and auxiliary cover (measuring cup) correctly.

03 Turn the jog dial to select the [CLEANING] menu in Auto Mode and then press the [START/STOP] button to wash.

※ Do not remove the container until the blades stop rotating completely and the jog dial returns to the stop position. Turn off the power, detach the plug and then disassemble the container.

01 Pull out the power cord to turn off the power. Wipe the product body with a damp towel or soft sponge. Be careful not to soak the product body in water or let water get into it.

02 Separate the container cover and auxiliary cover to wash them. Wash and dry them before assembling.

03 Gently rinse the inside of the container with water. Be careful not to let water get into the bottom of the container that touches the product body. Do not soak the container in water. It may create rust or affect the product's performance.

※ In case foreign matters fail to be removed from the blades after washing, do not place your hand into the container but, instead, use a cleaning tool such as a cleaning brush to wash off the foreign matters.

※ Blades cannot be detached from the container. Do not detach them and watch out for safety.

※ Do not place any of the parts into a dishwasher.

16 12. Before Requesting for Repair

Check the following before asking for repair. For follow-up service and any inquiry you may have while using the product, please contact our Customer Center, or homepage at <http://www.globalhurom.com> Check the manufacturer's number or the number under the barcode when requesting for follow-up service or parts.

Common	It does not operate only with the product body.	Check if the chamber set of the juicer or the container of the blender and the product body are properly assembled. Make sure to turn the power off when assembling or disassembling the product.
	Assemble it so that it is aligned with the safety sensor.	Check if it is assembled in accordance with the guide mark. Make sure to turn the power off when assembling or disassembling the product.
	There are cracks or scratch marks on the product.	In the process of making the molding, curve-shaped marks are created in addition to the straight-lined mold marks. They are normal parts and do not affect the operation at all.
	It does not work.	Check if the power cord is properly inserted. The machine may not work after a long period of use. It will operate normally after the heat of the product body (motor) cools down. Check if the product is properly assembled. If the product is assembled incorrectly, it will not work. Check if the product is assembled according to the steps specified in the assembly guide. Refer to the assembly guide page.
Juicer	The juicer stops operating during juicing.	Juice may leak through the pulp outlet immediately after inserting ingredients. Have an excessive amount of ingredients or extremely thick ingredients been inserted? Refer to Page 9 of the manual to activate a reverse rotation. For safety, a timer, which automatically stops after about 5 minutes from the start of operation, is set. Press the [START/STOP] button again briefly to start operation.
	Juice leaks through the pulp outlet immediately after the ingredients are inserted.	Depending on the inserted ingredients, small amounts of juice may leak through the pulp outlet. This is not a product defect but, rather, a phenomenon caused by the characteristics of the ingredients. The leakage will stop once the product starts running. If the leakage continues, contact the Customer Service Center.
	Juice flows back into the hopper.	Did you extract juice with the juice cap closed? When juicing with the juice cap closed, the juice may flow backward into the hopper. If the contents are not sufficiently discharged even after opening the juice cap again, open the hopper cover and empty out the contents.
	Juice leaks between the hopper and the chamber, or between the chamber and the product body.	Is the hopper packing or chamber packing assembled correctly? The juice will leak if the hopper packing or chamber packing has been assembled upside-down or incompletely. Check if the packing is assembled properly.
	The hopper does not open.	There may be excessive pulp remaining inside. Operate the product to discharge the pulp inside or repeat the process of activating a reverse rotation for about 10 seconds and then stopping 2 to 3 times. Then, the hopper will open without any issue. Were any foreign substances or solid matter (hard seeds such as persimmon seed) inserted? If any foreign substances or solid matters are inserted, parts may be damaged more seriously when attempting a reverse rotation so contact the Customer Service Center and request after-sales service.
	The chamber shakes during juicing.	The product may wobble slightly due to the motions of the product body's motor. Depending on the ingredients' characteristics (hard or tough), motions are generated in various magnitudes. This is not a malfunction but, rather, a normal phenomenon observed when the screw rotates. Compared to soft ingredients with much water content, relatively harder ingredients may seem to produce a greater vibration. (e.g., carrots, potatoes, radishes, beets, kohlrabi, etc.)
	The discharge cover is closed but the pulp is discharged.	Even if the lever is closed, pulp will be discharged naturally. Depending on the ingredients used, there may be a difference in the amount and speed of discharge.
	An unusual noise is heard while juicing.	It is a natural sound produced when ingredients are being crushed. If the ingredients are hard or tough like apples, carrots, cabbage, celery, beets, etc., the extraction noise may be louder than that heard when juicing softer ingredients.
	The screw stopped during operation but a reverse rotation does not work automatically.	If the power is unstable, the product may not perform a reverse rotation automatically. Refer to Page 9 of the manual and activate a reverse rotation.

	Juicing is automatically terminated before the 5-minute timer ends.	It is a function that automatically shuts down to protect the product in case the automatic reverse rotation is operated often during juicing. This may occur if it is impossible to extract or if uncut ingredients are added. Please refer to Page 12 of the manual for the instructions on each ingredient and insert the ingredients accordingly.
	The motor stops while the blender is in operation.	If the blender is overloaded, the motor may stop. Turn off the power and remove the ingredients that cause the overloading or let it rest for about 30 minutes.
Blender	Blender's grinding operation does not work.	The machine may stop operating if there are too many ingredients or the ingredients are too thick. Adjust the amount and size of the ingredients and then operate the machine again. In case dry ingredients are used in a large volume, add more liquid before operation.

13. Error Code (common for juicer and blender)

Code	Root cause	Actions to take
Er01	If an overcurrent flows through the product, this error is generated to protect the product.	Stop operating the product and restart it after a few minutes. If the same problem continues to occur, please contact the HUROM After-sales Service Center.
Er04	If a high voltage is applied to the product, this error is generated to protect the product.	Stop operating the product and restart it after a few minutes. If the same problem continues to occur, please contact the HUROM After-sales Service Center.
Er06	<p>1. If the automatic reverse rotation is operated often during the juicer operation, this error may be generated to protect the product. (This is an operation to protect the chamber in case hard ingredients or ingredients unable to be juiced are inserted.)</p> <p>2. This error may be generated if the motor fails to perform the initial activation while there are too many ingredients in the blender container.</p> <p>3. This error may be generated if the overloading on the motor leads to activation of the temperature protection device.</p> <p>4. This error may be generated if the sensor that detects the motor's operation is broken.</p>	<p>1. Stop operating the product, check and remove the contents inside the juicer's chamber set, and then restart it.</p> <p>2. Stop operating the product and reduce the amount of contents inside the blender container or raise the motor speed at the initial operation.</p> <p>3. If the motor stops due to overloading, let it rest for about 30 minutes before operating the machine again.</p> <p>4. If the same problem continues to occur, please contact the HUROM After-sales Service Center.</p>
□	This error may be generated if the jog dial or the [START/STOP] button is controlled while there is no juicer chamber set or blender container on the product body.	Install the juicer or blender container on the product body before use. If the same problem continues to occur, please contact the HUROM After-sales Service Center.



HUROM™

MADE IN KOREA | www.globalhurom.com

Copyright© All Rights Reserved by HUROM

4DZ040013_V.01