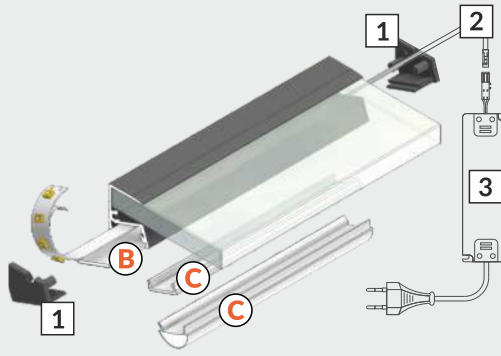
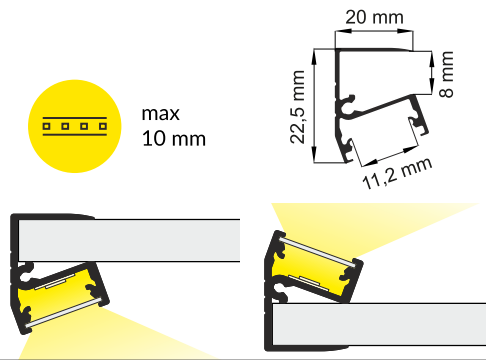


# XAR BC/UX

## GLASS PROFILE



- B** B slide cover
- C** C cover click/lens
- 1** XAR ending with hole
- 2** power supply cable
- 3** LED power supply



scissors



pliers



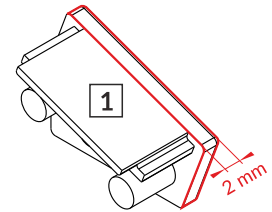
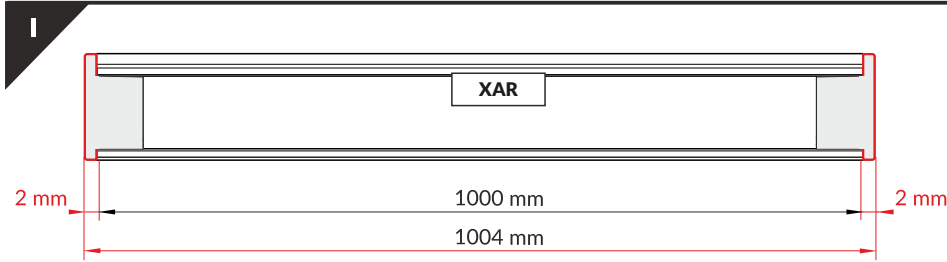
hacksaw



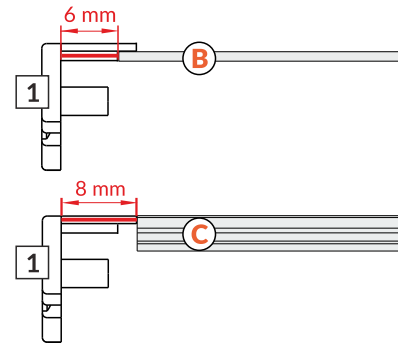
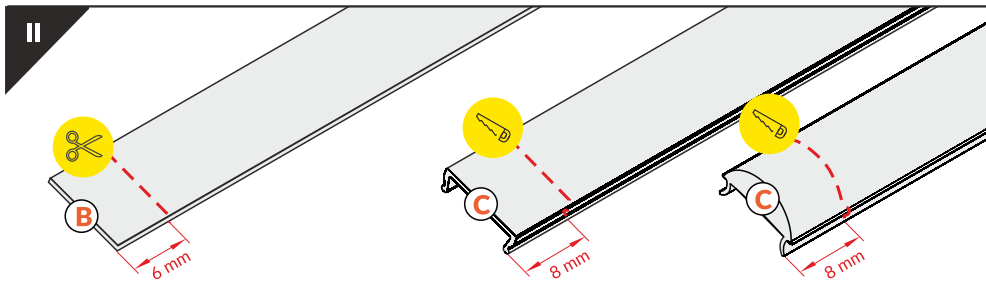
soldering iron



solder

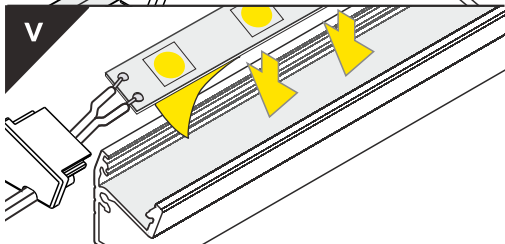
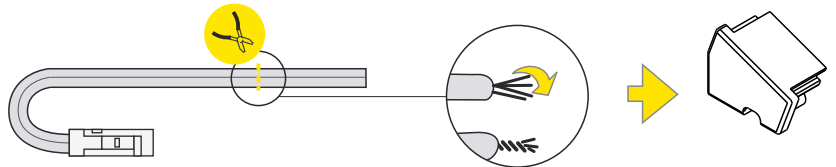
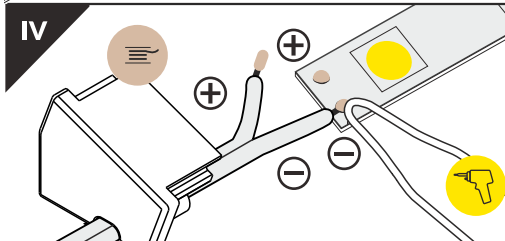
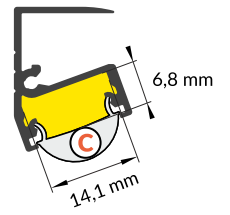
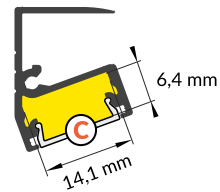
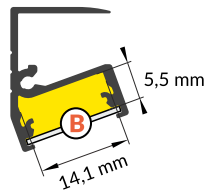
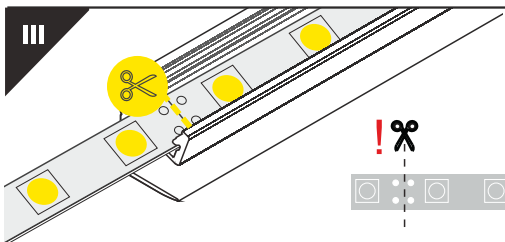


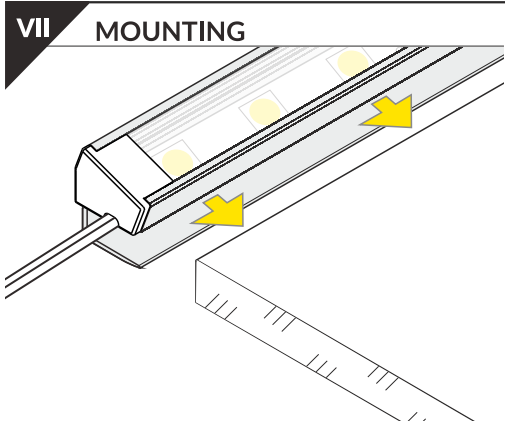
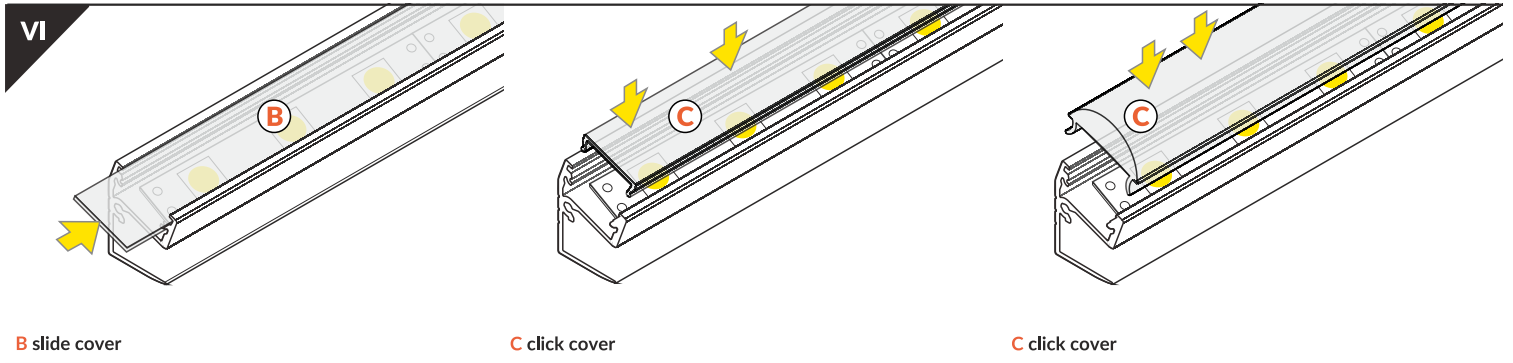
**Note!** Ending thickness increases the length of the luminaire (+ 2 x 2 mm)



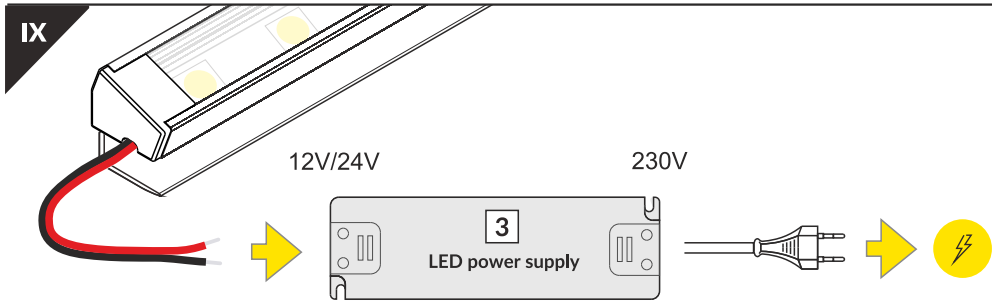
**Note!** Ending decreases the length of the cover-

**B** -2 x 6 mm; **C** -2 x 8 mm.





Profile mounting on a glass shelf



## ACCESSORIES

- power switches
- controller + remote
- movement sensors