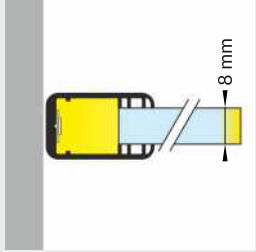
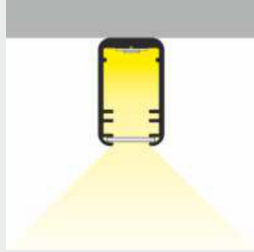


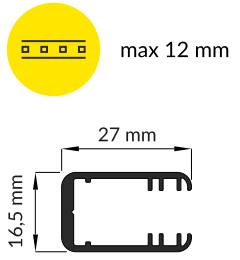
URAL J GLASS APPLICATION PROFILE



URAL Glass mounting



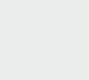
URAL Mounting with J cover



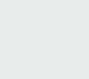
max 12 mm

27 mm


16,5 mm



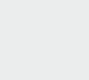
1a URAL ending



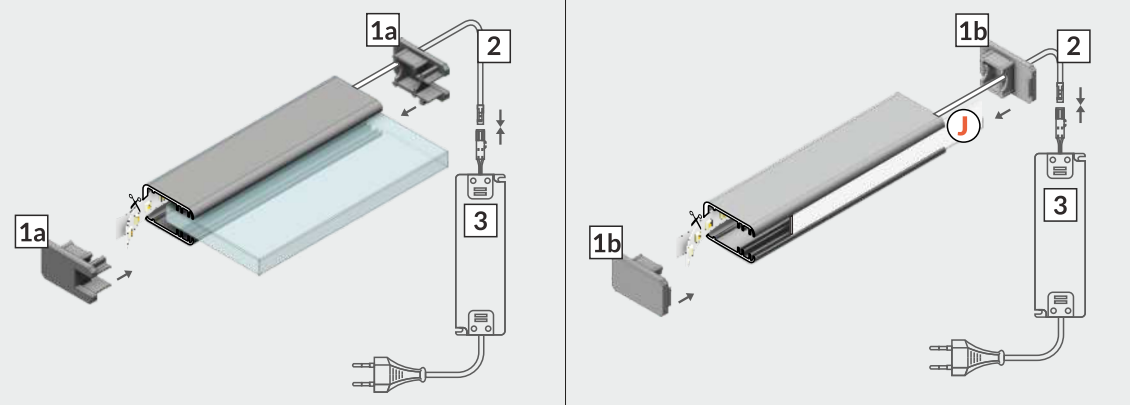
1b URAL LINIA ending



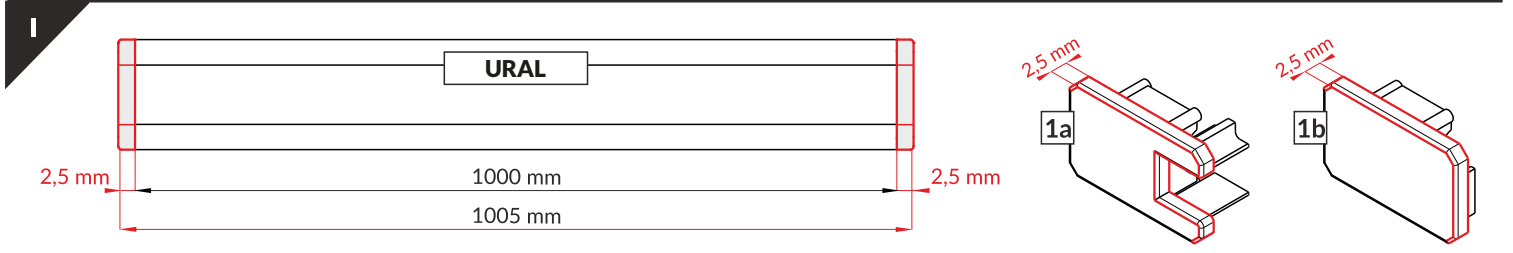
2 power supply cable



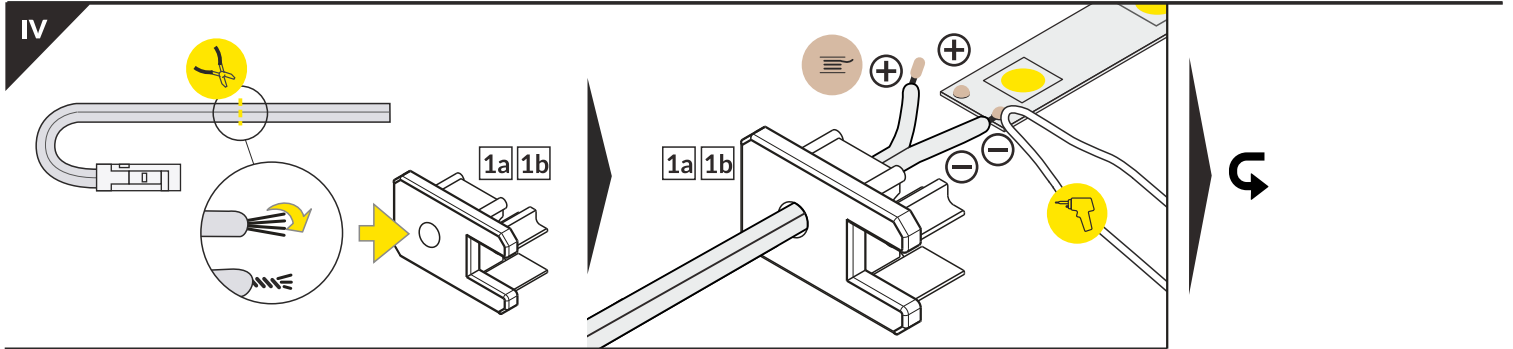
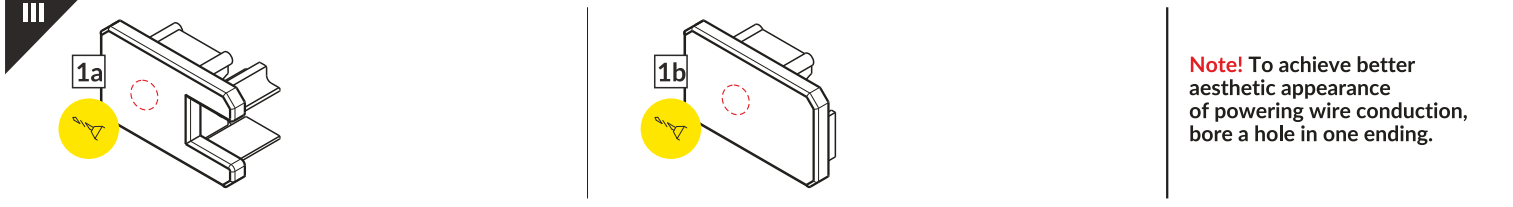
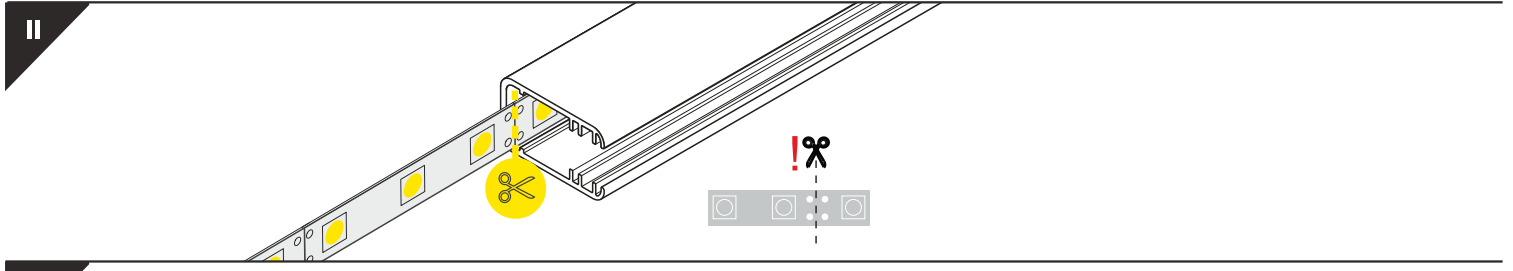
3 LED power supply



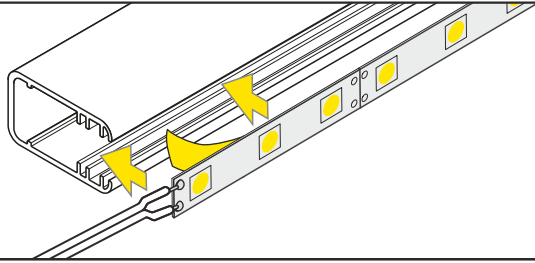
- 
scissors
- 
drill
- 
pliers
- 
soldering iron
- 
solder



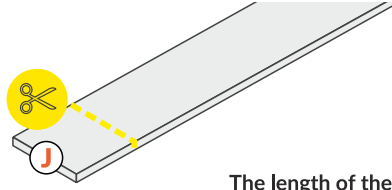
Note! Ending thickness increases the length of the luminaire (+ 2 x 2,5 mm).



V

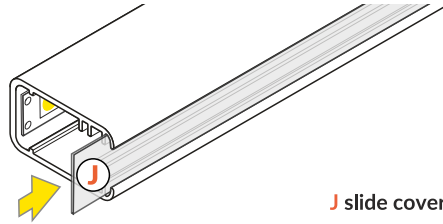


VI



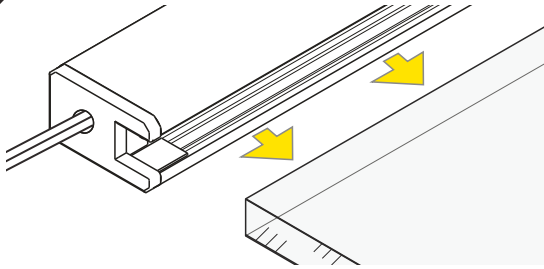
The length of the cover is equal to the length of the profile.

VII

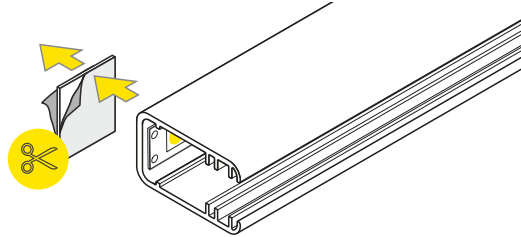


J slide cover

VIII MOUNTING

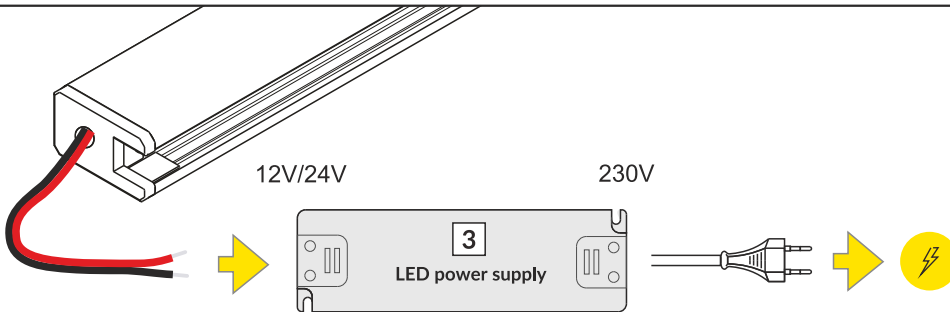


Profile mounting on a glass shelf
Note: the profile is not a construction element



two-sided adhesive tape 25x25

IX



ACCESSORIES

- power switches
- controller + remote
- movement sensors