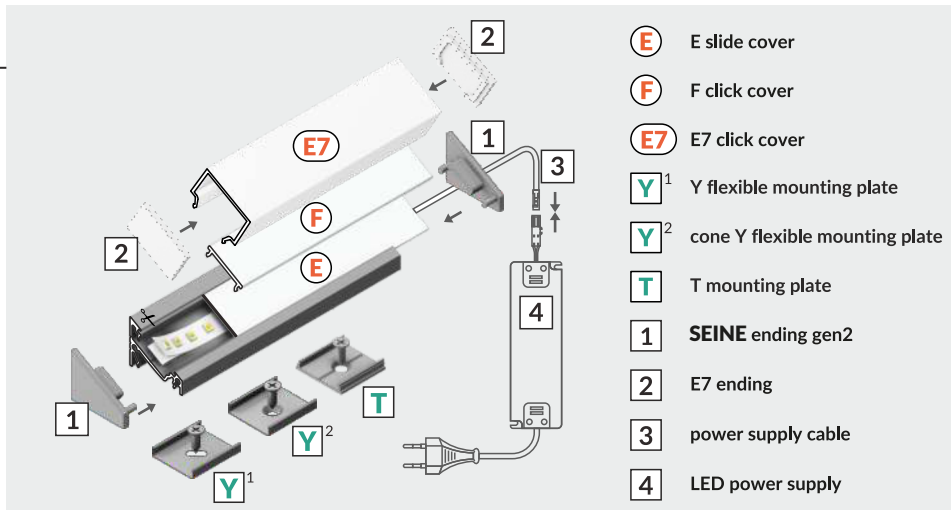
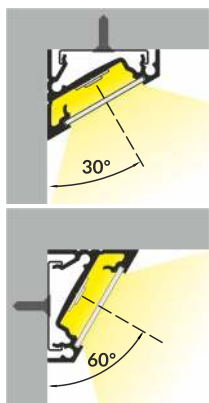
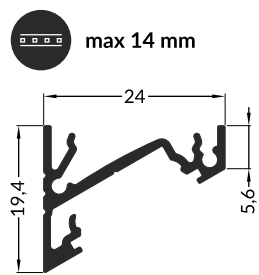
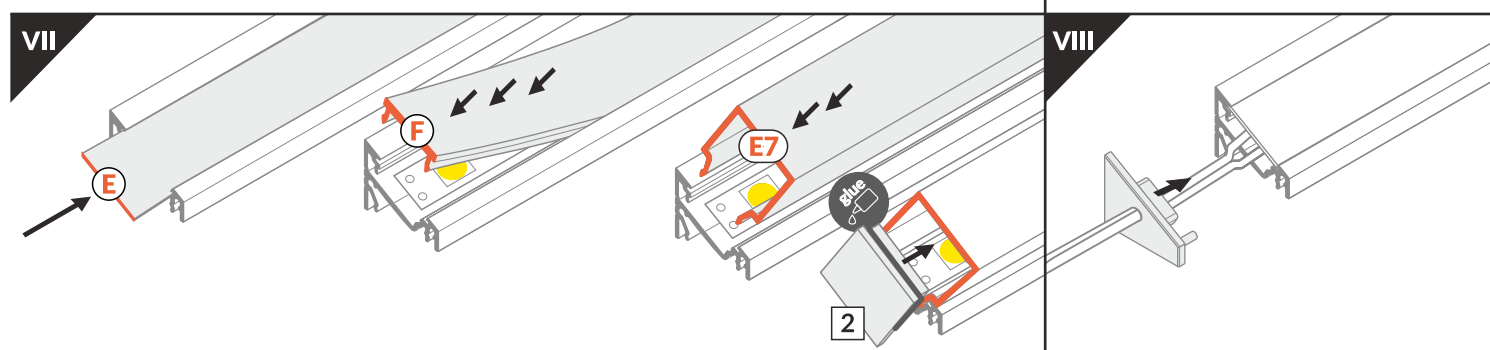
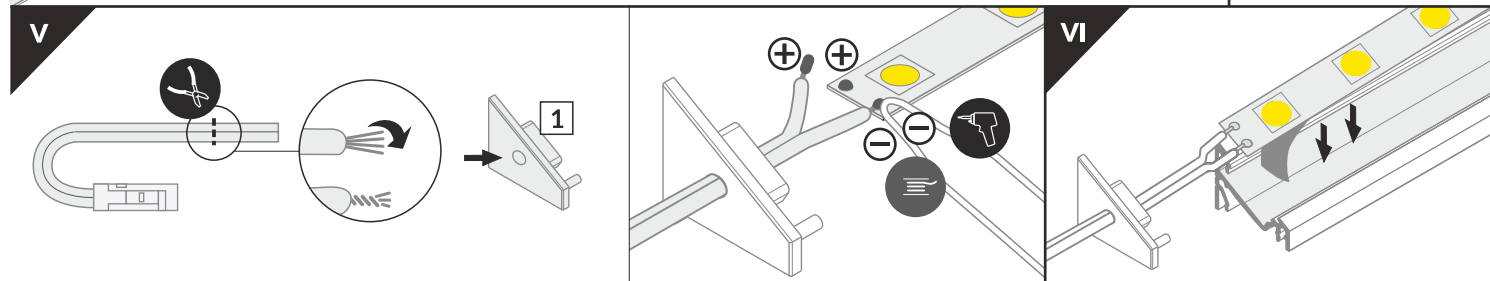
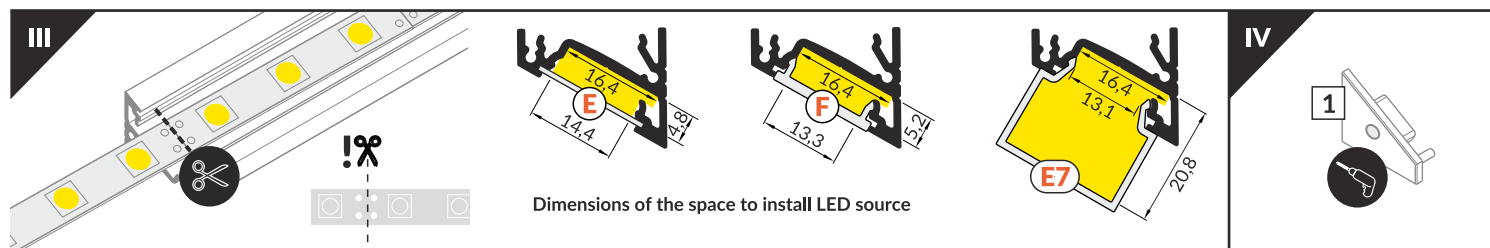
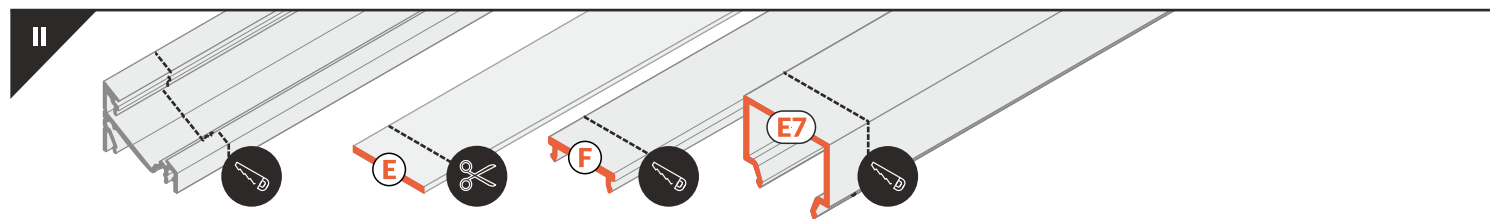
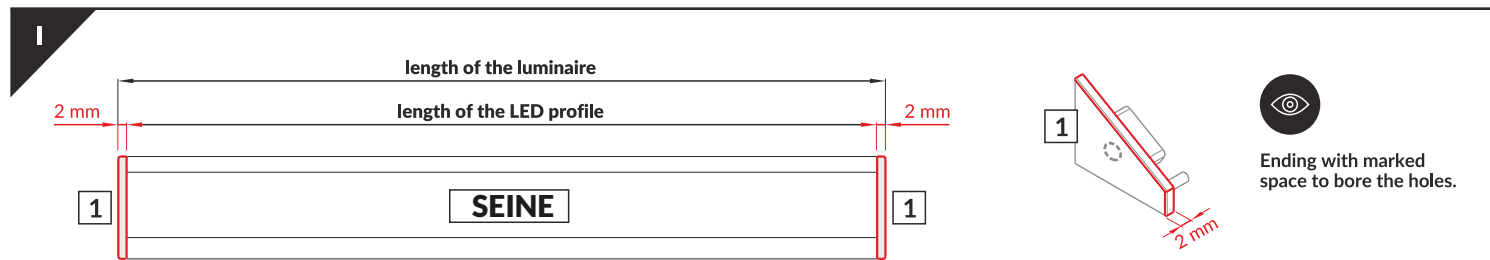
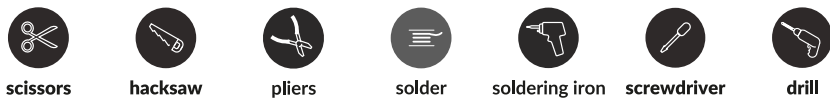


SEINE EF/T

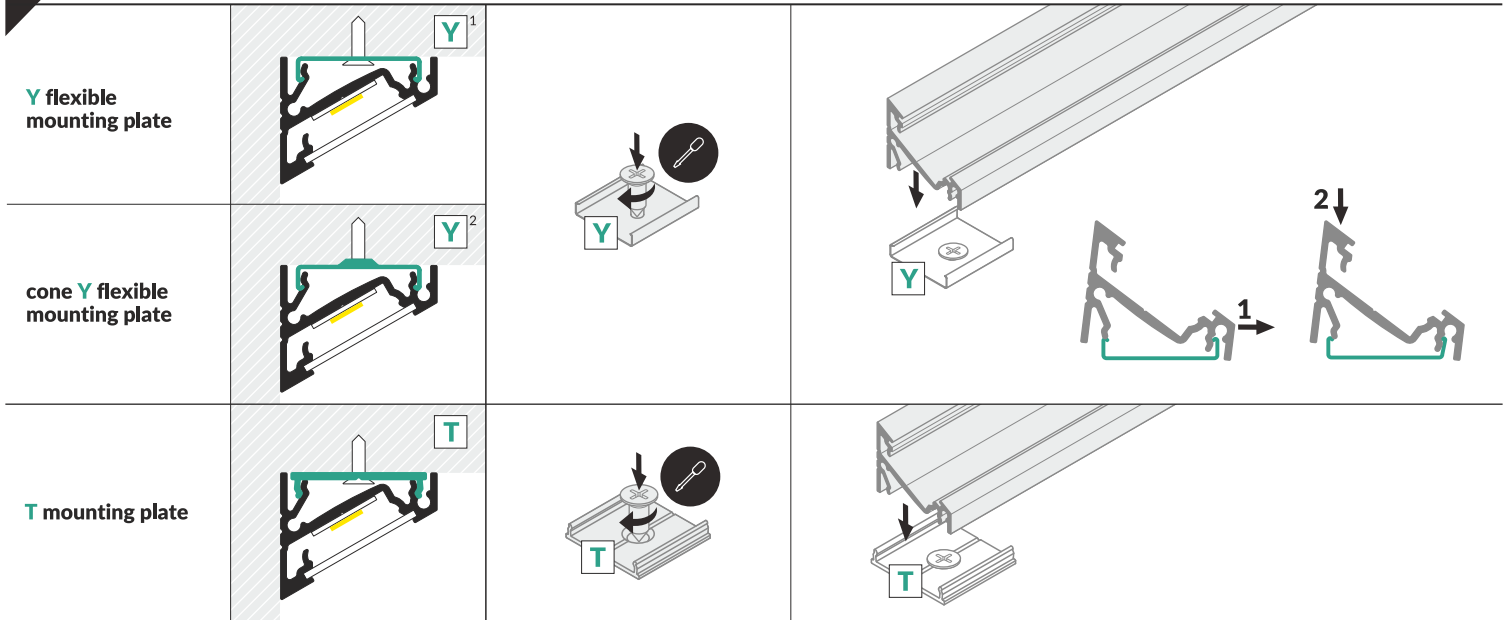
CORNER PROFILE



- E** E slide cover
- F** F click cover
- E7** E7 click cover
- Y¹** Y flexible mounting plate
- Y²** cone Y flexible mounting plate
- T** T mounting plate
- 1** SEINE ending gen2
- 2** E7 ending
- 3** power supply cable
- 4** LED power supply

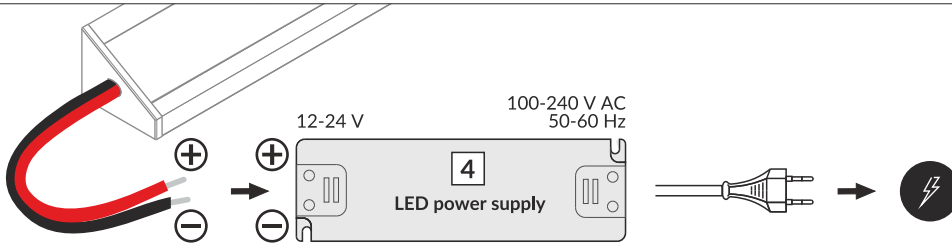


IX MOUNTING



Other mounting possibilities: with mounting glue or mounting tape, with screws

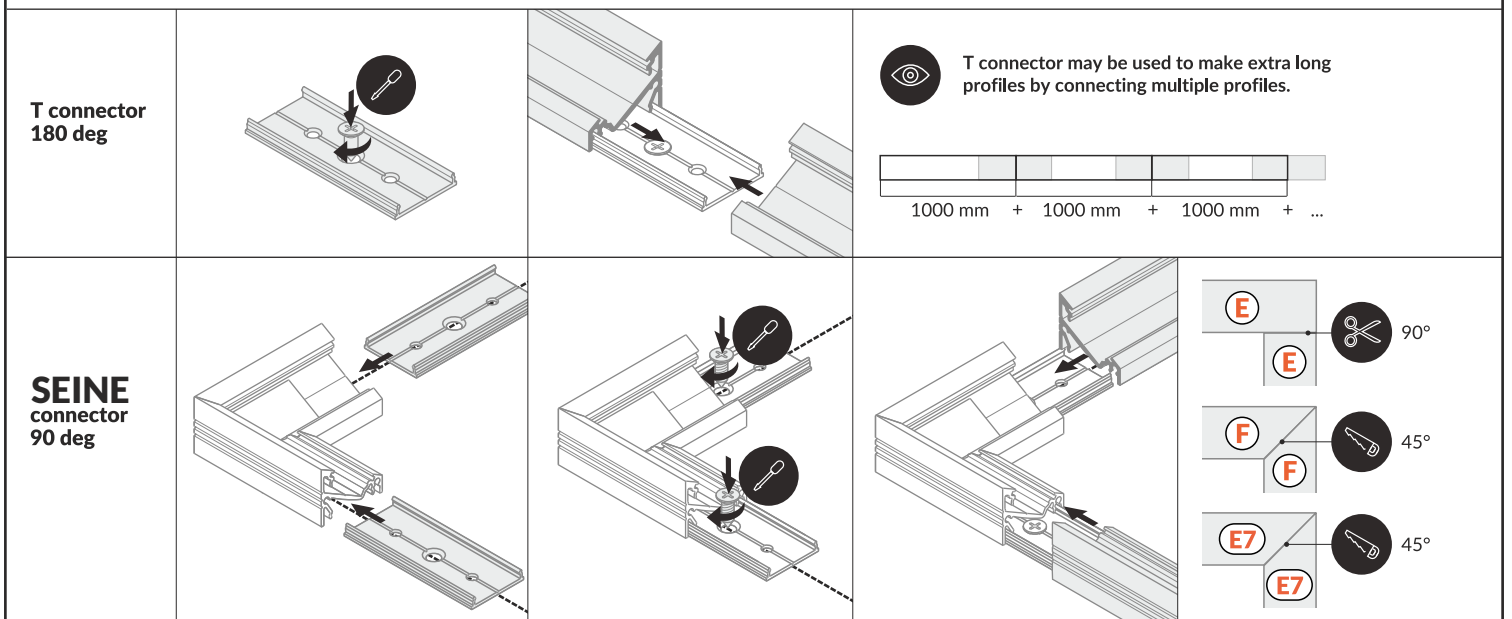
X POWER SUPPLY



OPTIONAL ACCESSORIES



Mount the connector before installing the LED strip. In case there is no possibility of sliding the profile into connector it is recommended to mount with screws, directly to the mounting surface



ACCESSORIES

power switches
controller + remote
movement sensors