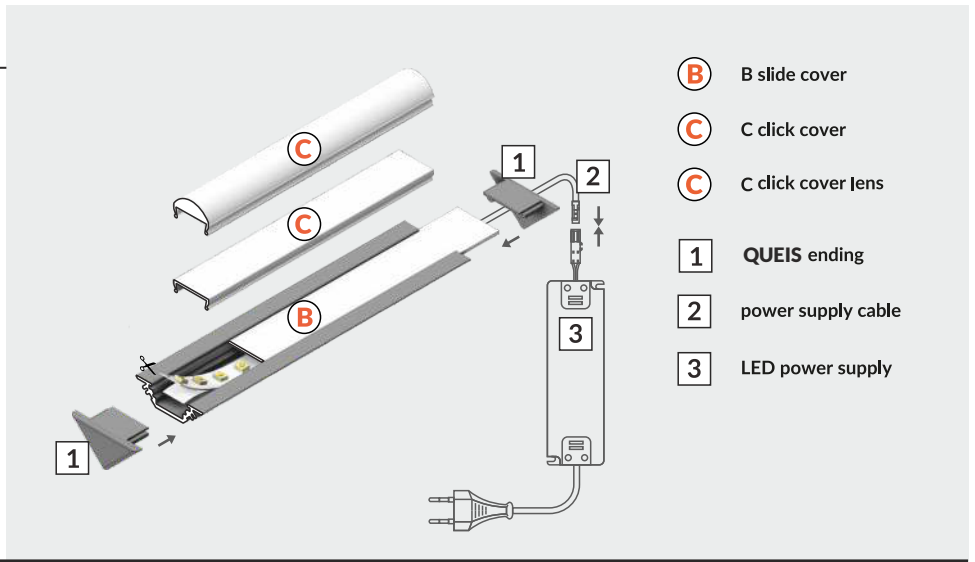
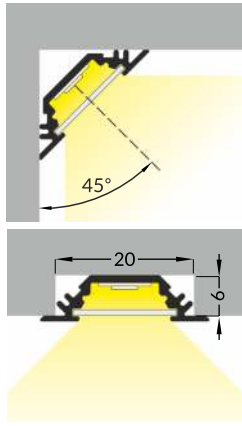
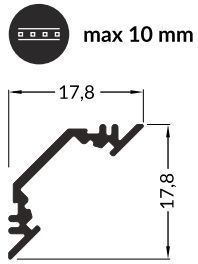
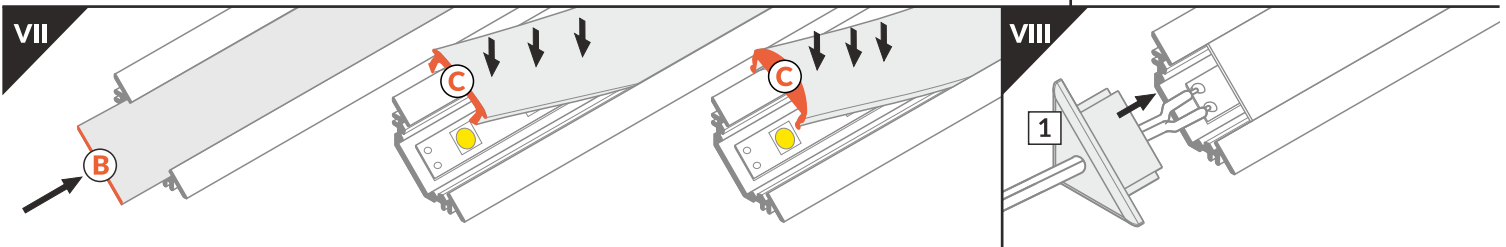
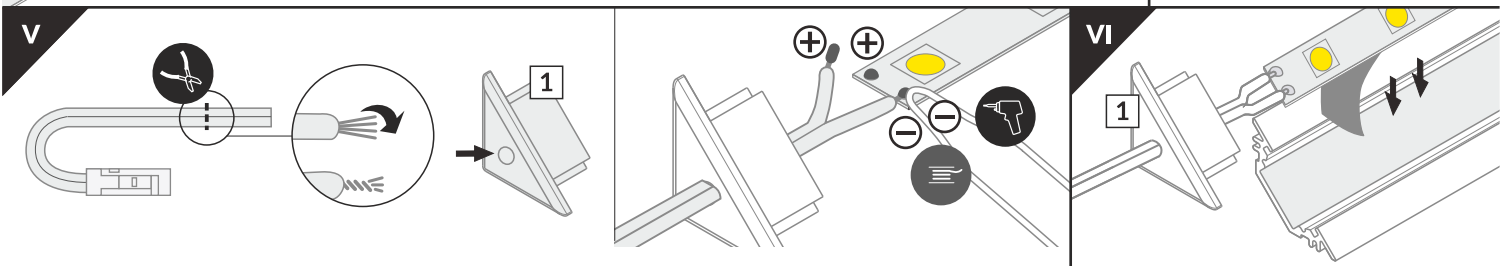
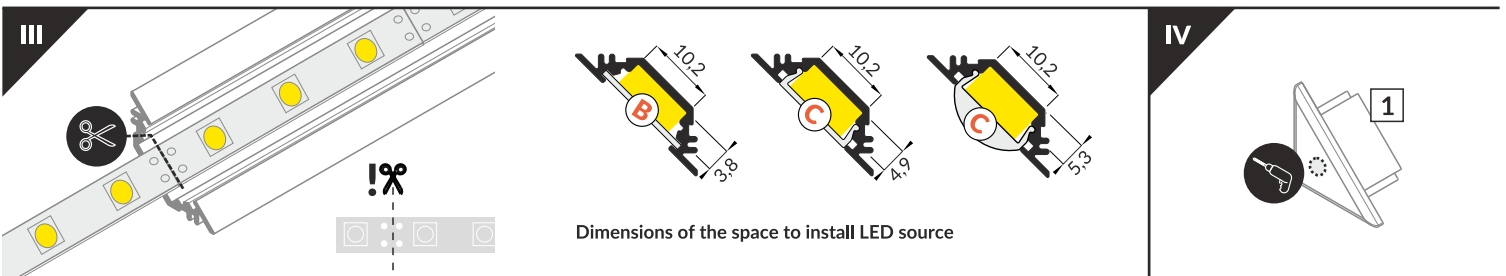
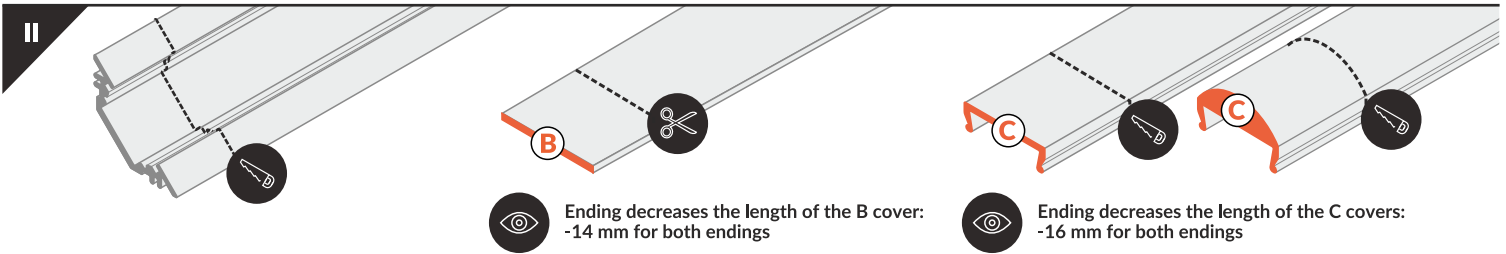
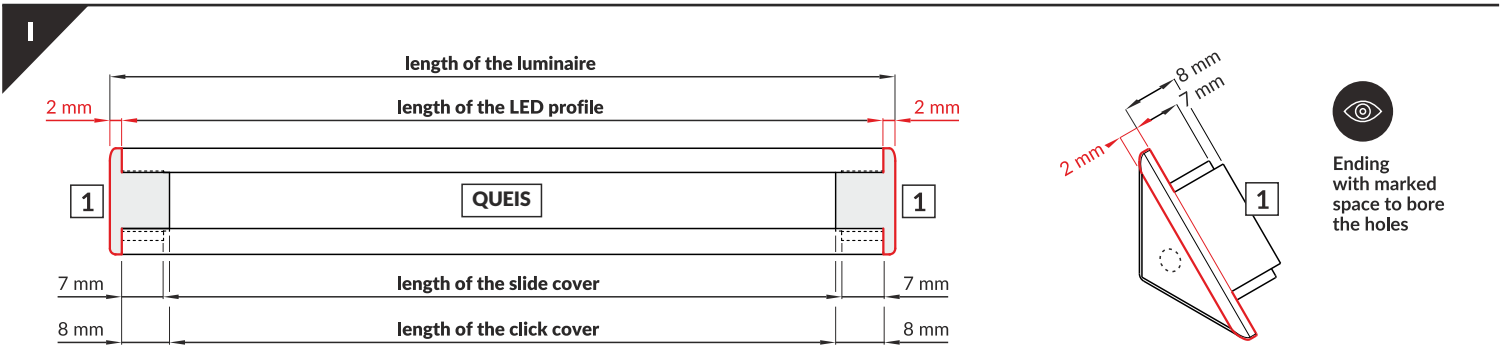


QUEIS BC

CORNER PROFILE



- B** B slide cover
- C** C click cover
- C** C click cover lens
- 1** QUEIS ending
- 2** power supply cable
- 3** LED power supply

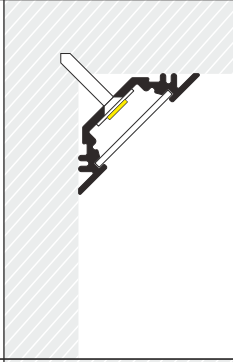


IX MOUNTING

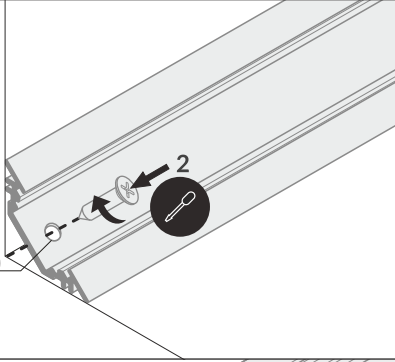
corner



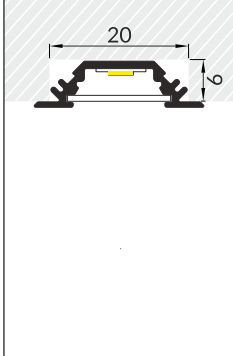
Mount with screws
before installing
the LED strip



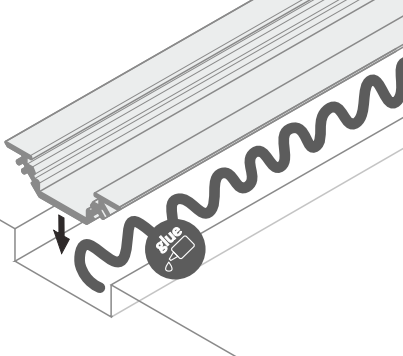
1



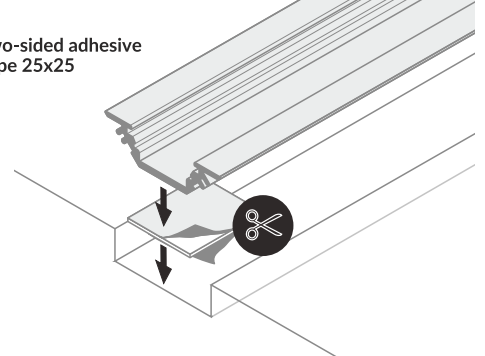
recessed



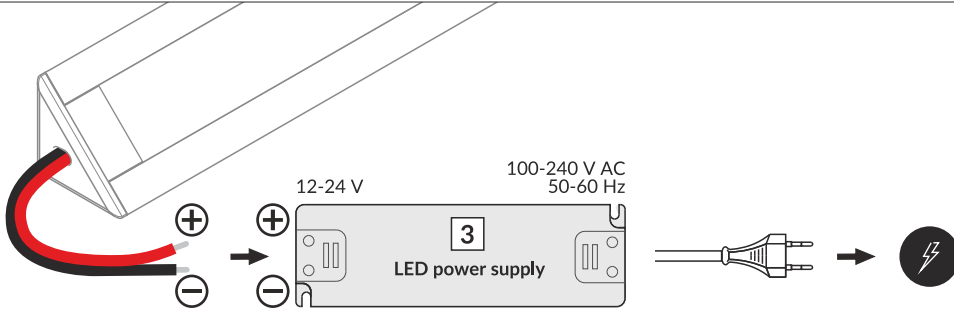
glue



two-sided adhesive tape 25x25



X POWER SUPPLY



ACCESSORIES

power switches, controller + remote, movement sensors