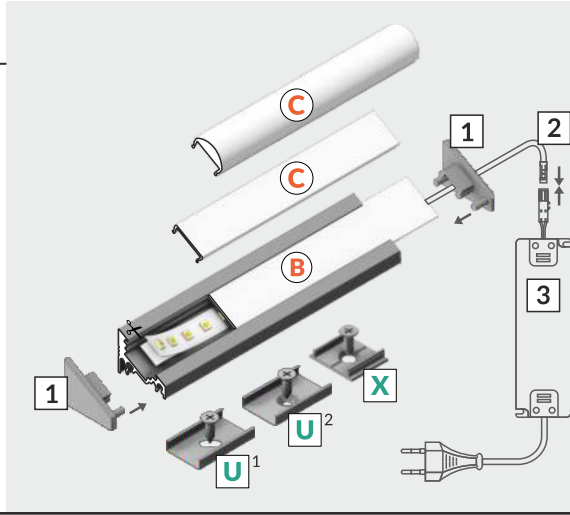
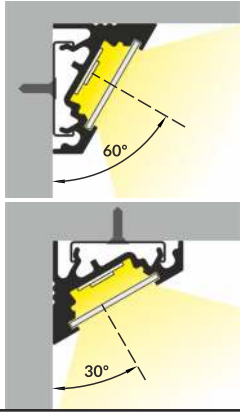
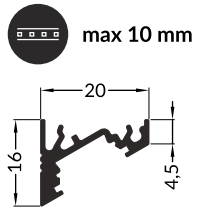
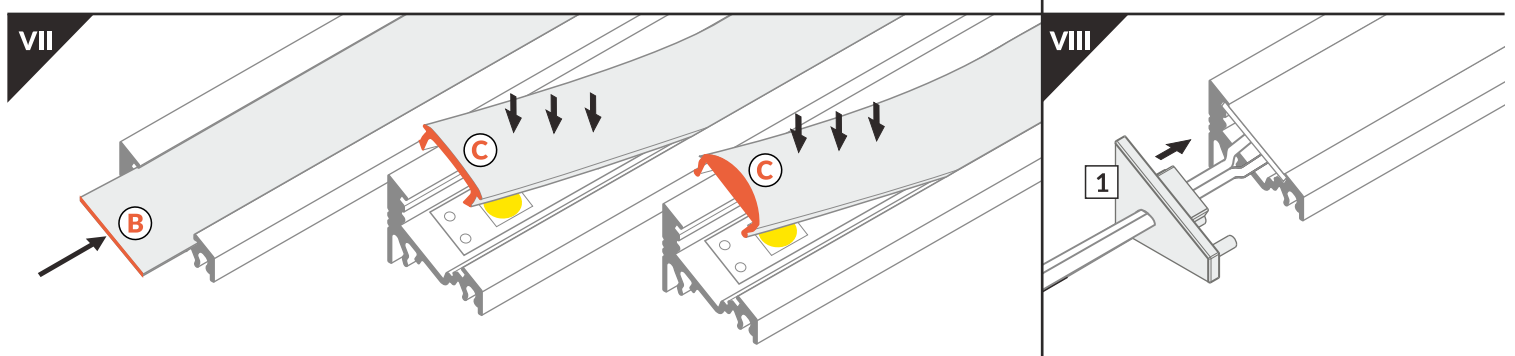
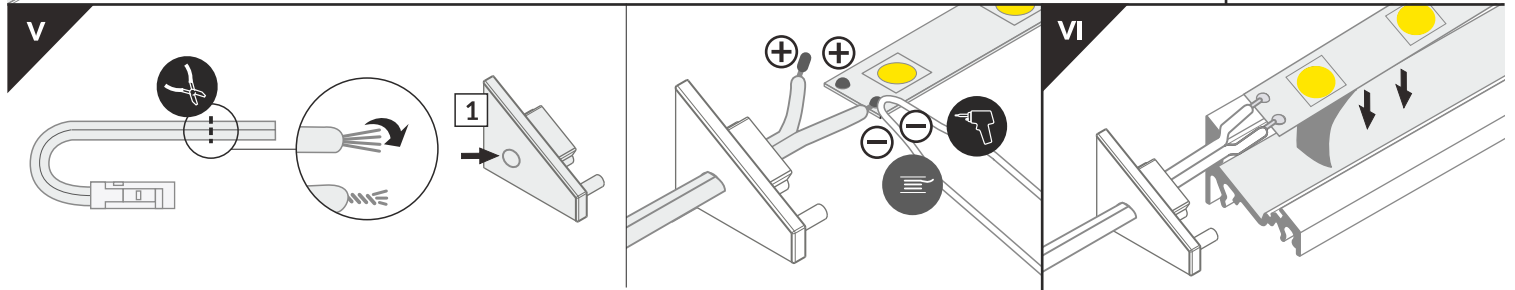
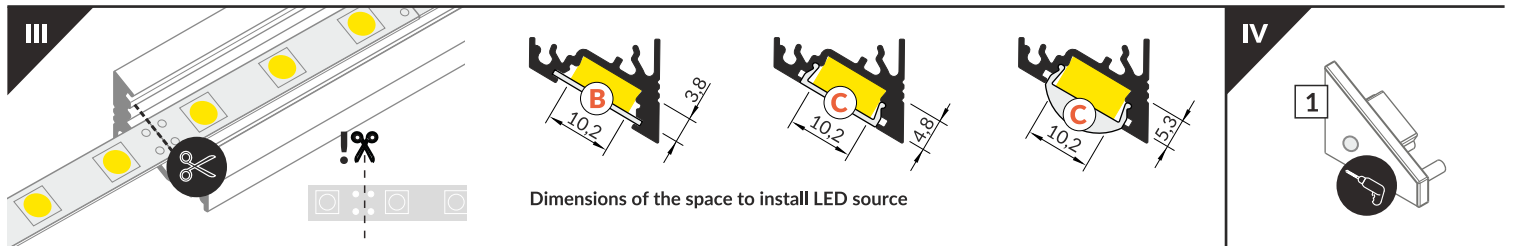
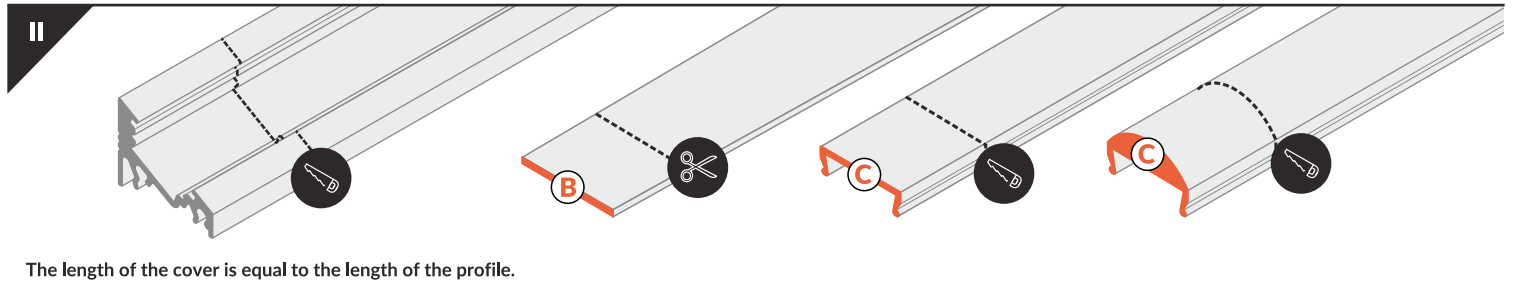
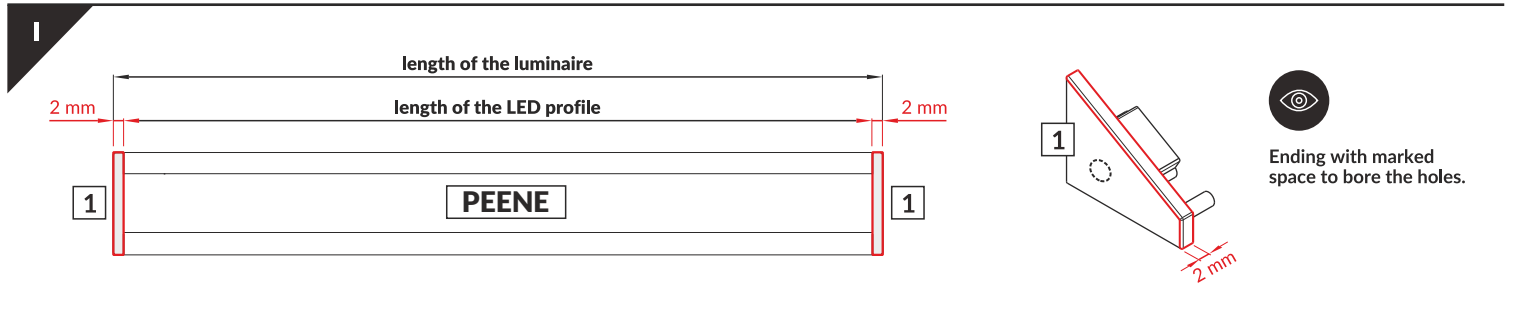
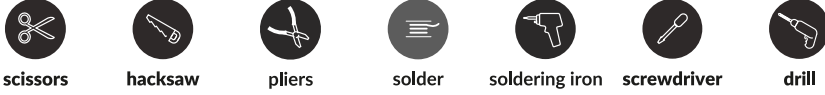


PEENE BC/UX

CORNER PROFILE

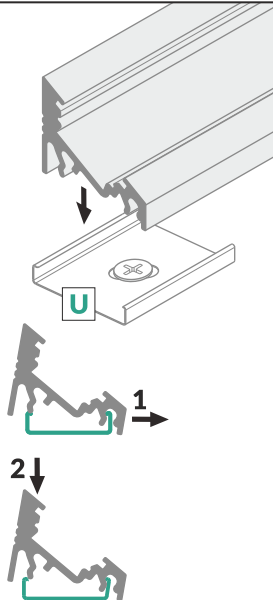
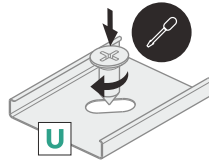
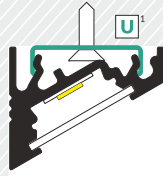


- B** B slide cover
- C** C click cover
- C** C click cover lens
- U¹** U flexible mounting plate
- U²** cone U flexible mounting plate
- X** X mounting plate
- 1** PEENE ending gen2
- 2** power supply cable
- 3** LED power supply

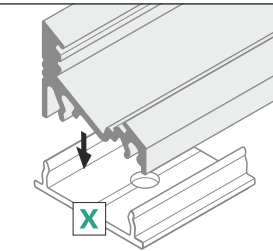
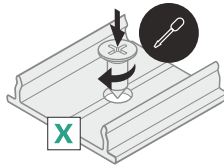
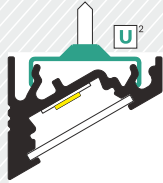


IX MOUNTING

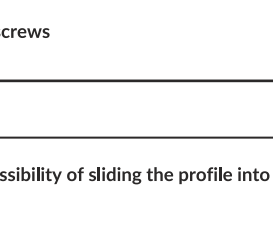
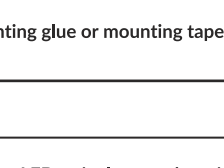
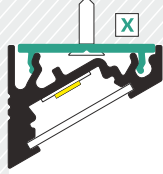
U flexible mounting plate



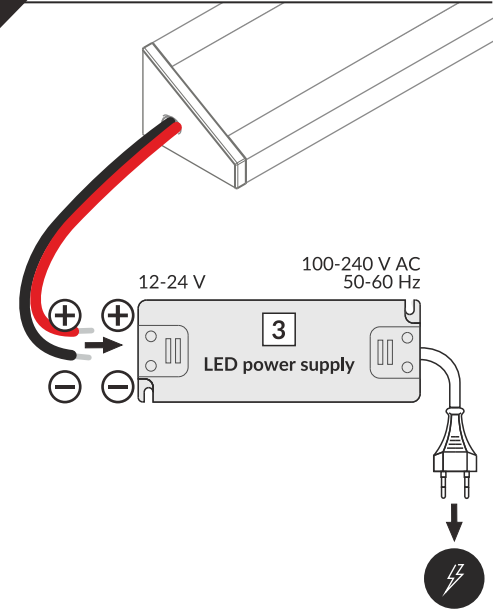
cone U flexible mounting plate



X mounting plate



X POWER SUPPLY



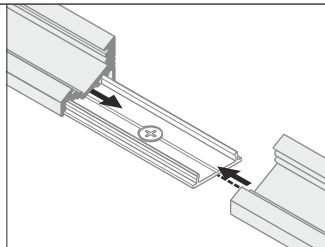
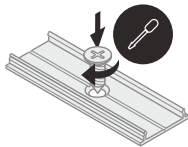
Other mounting possibilities: with mounting glue or mounting tape, with screws

OPTIONAL ACCESSORIES



Mount the connector before installing the LED strip. In case there is no possibility of sliding the profile into connector it is recommended to mount with screws, directly to the mounting surface

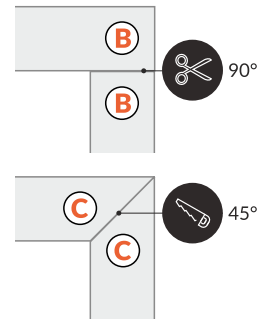
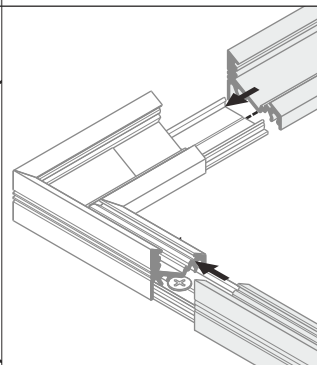
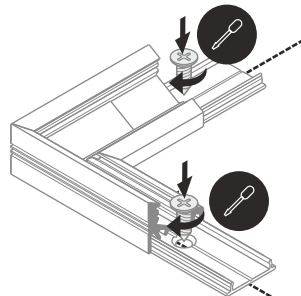
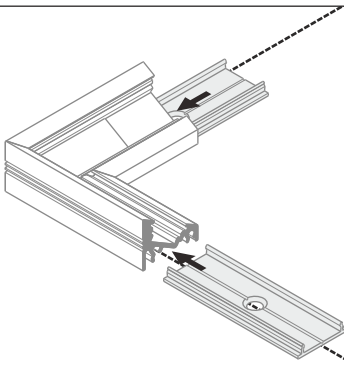
X connector 180 deg



X connector may be used to make extra long profiles by connecting multiple profiles



PEENE connector 90 deg



ACCESSORIES

power switches
controller + remote
movement sensors