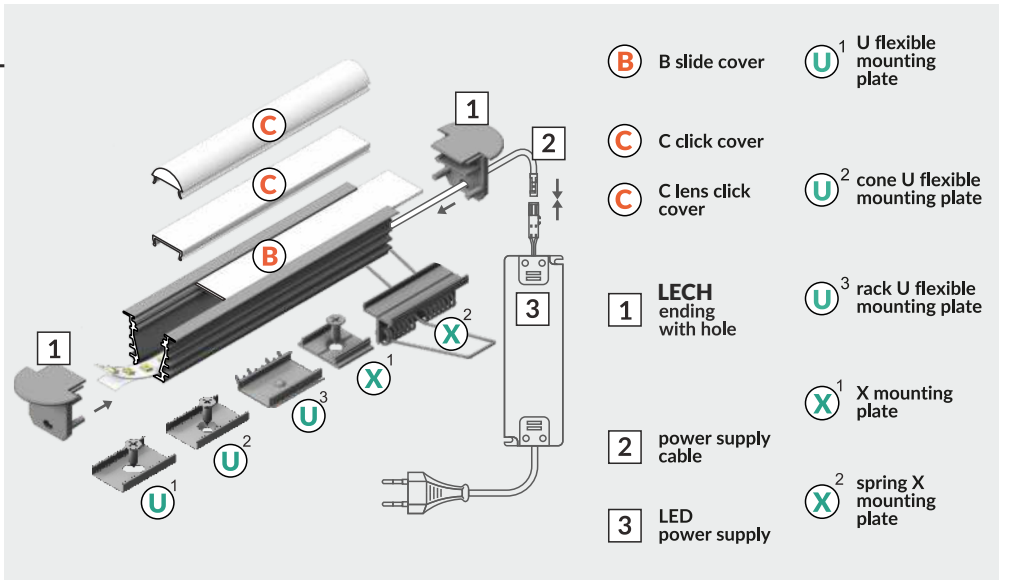
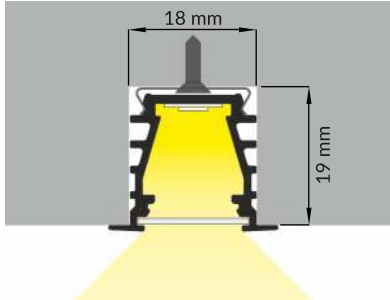
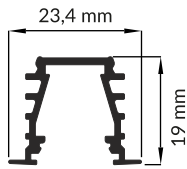


LECH BC/UX

RECESSED PROFILE



max
10 mm



scissors



hacksaw



pliers



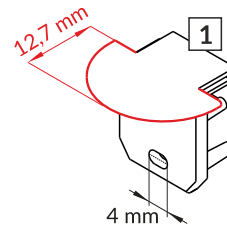
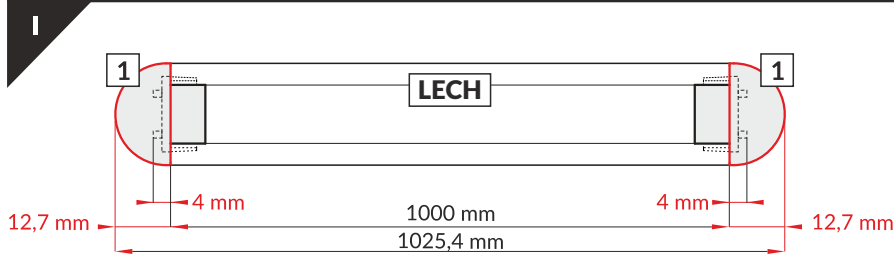
soldering iron



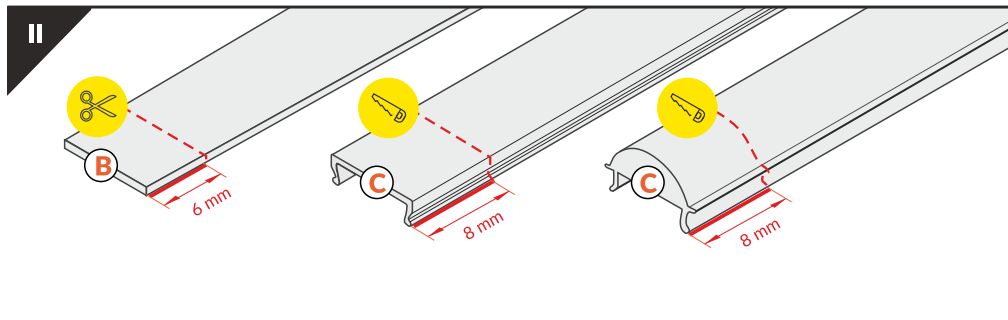
solder



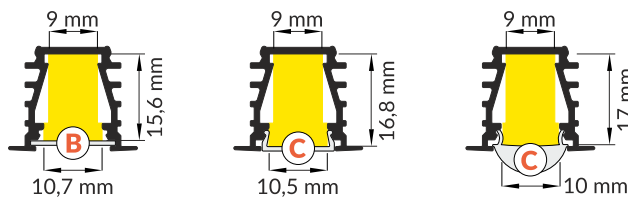
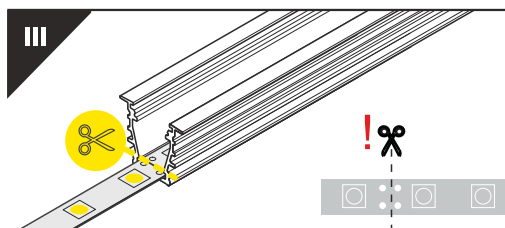
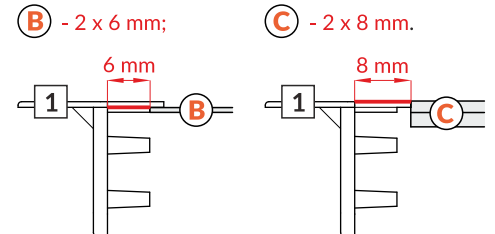
glue



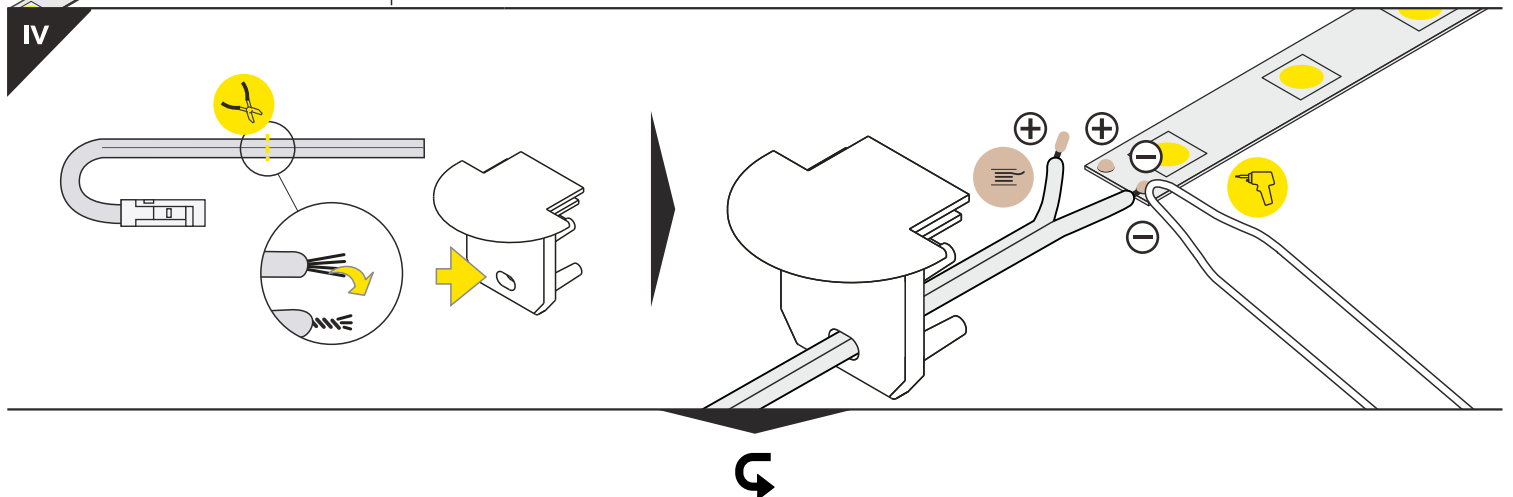
Note! Ending thickness increases the length of the luminaire (+ 2 x 12,7 mm) and the length of the mounting space (+ 2 x 4 mm).

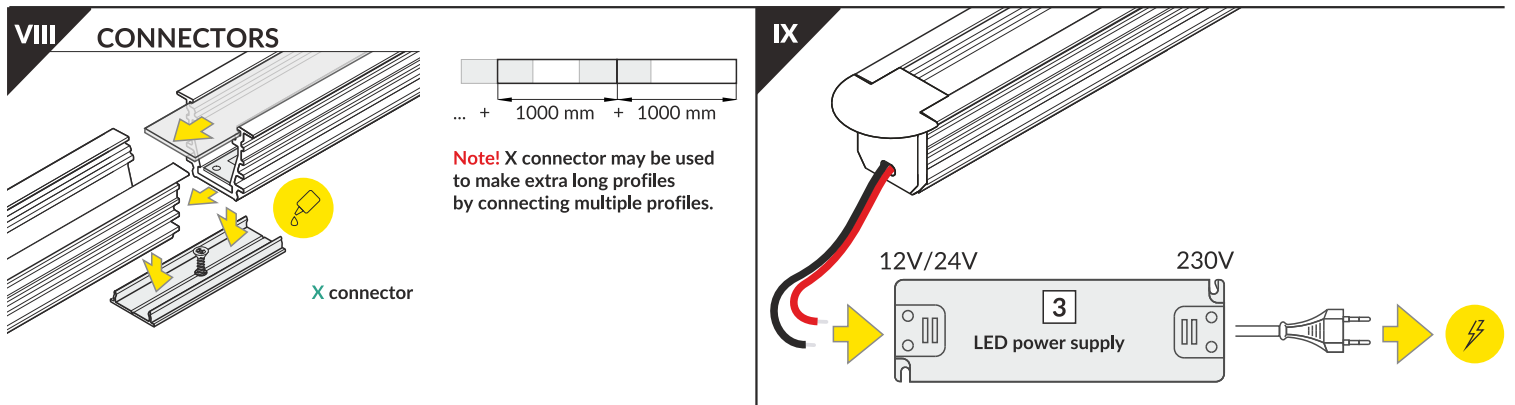
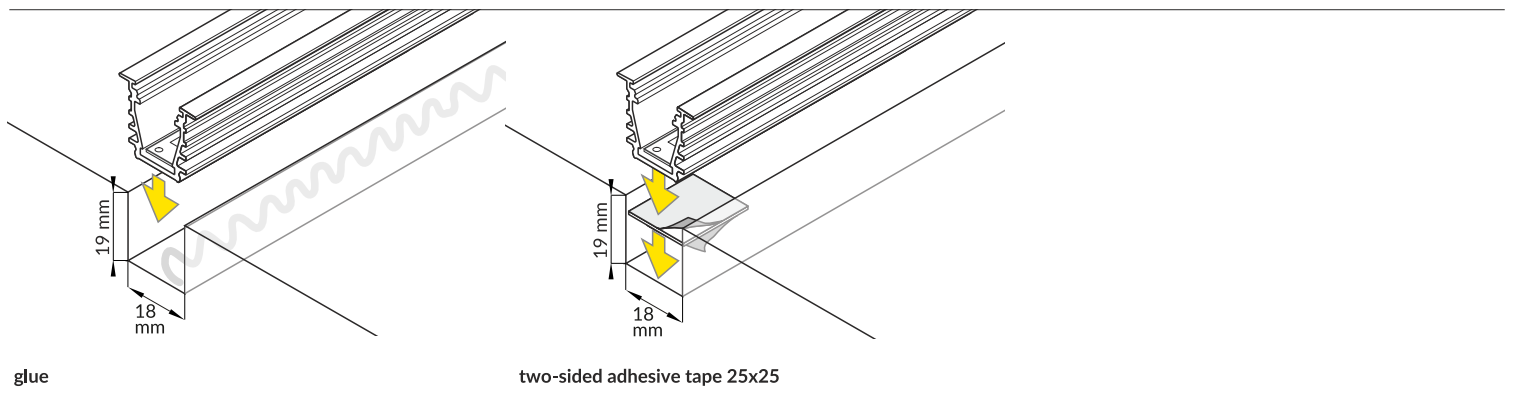
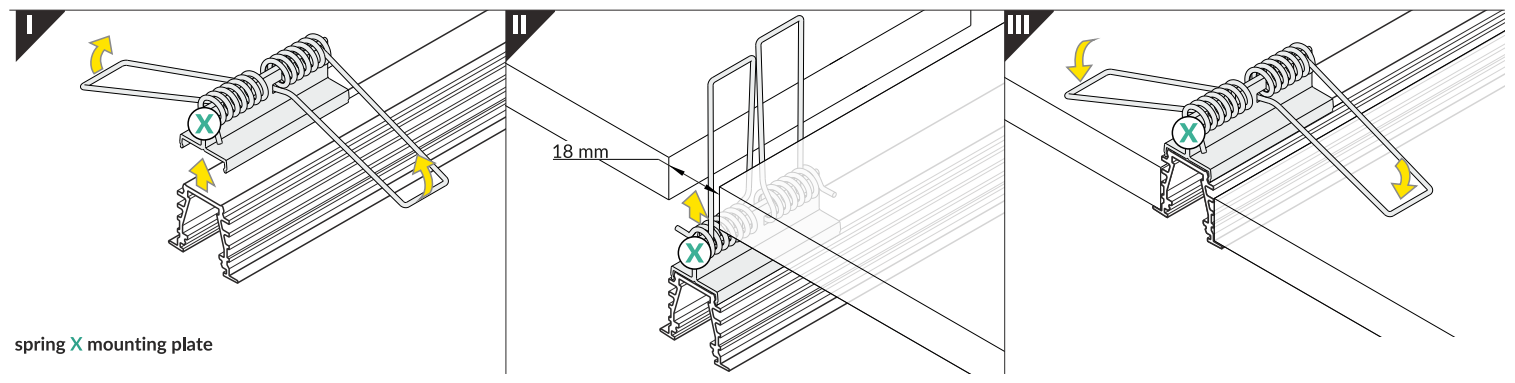
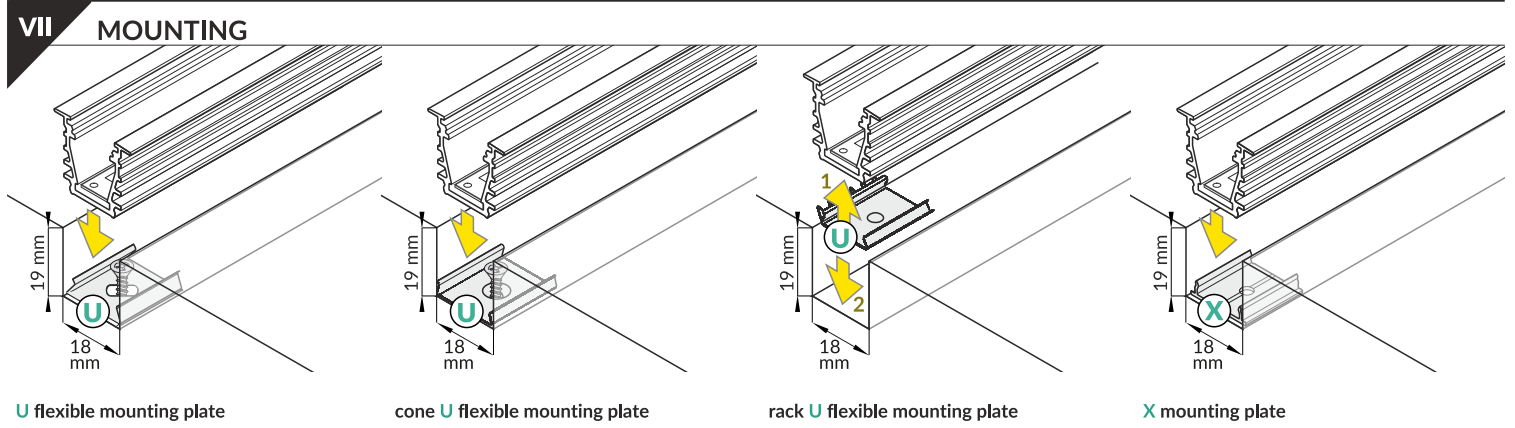
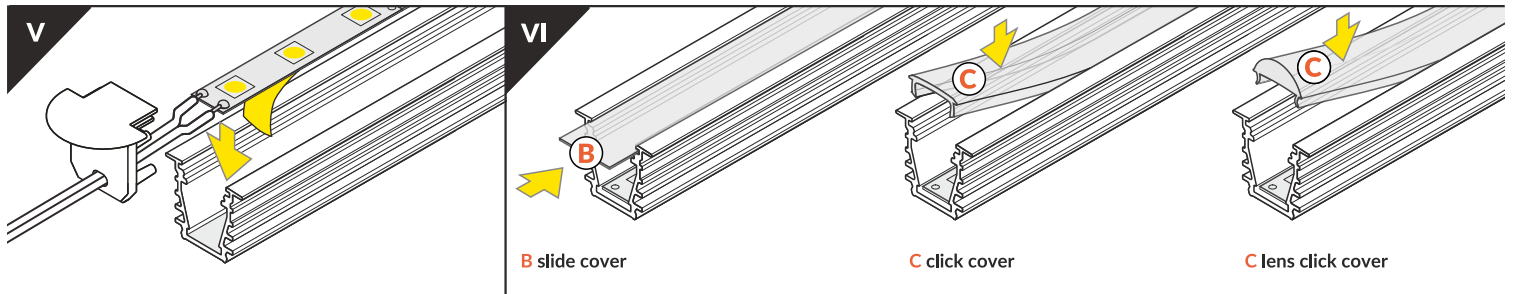


Note! Ending decreases the length of the cover:



Dimensions of the space to install LED source.





ACCESSORIES

- power switches
- controller + remote
- movement sensors