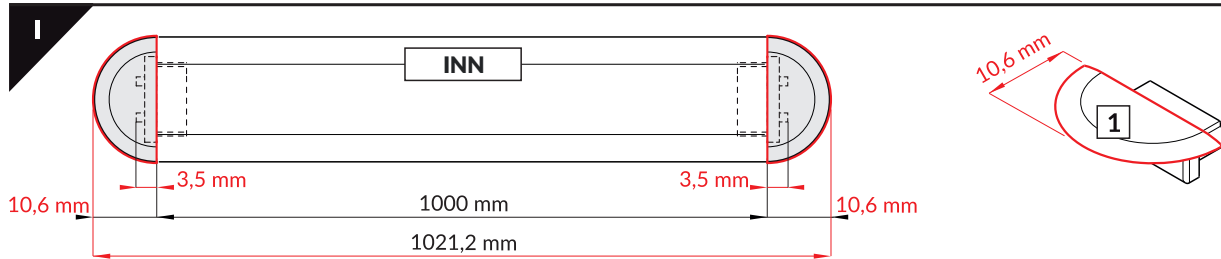
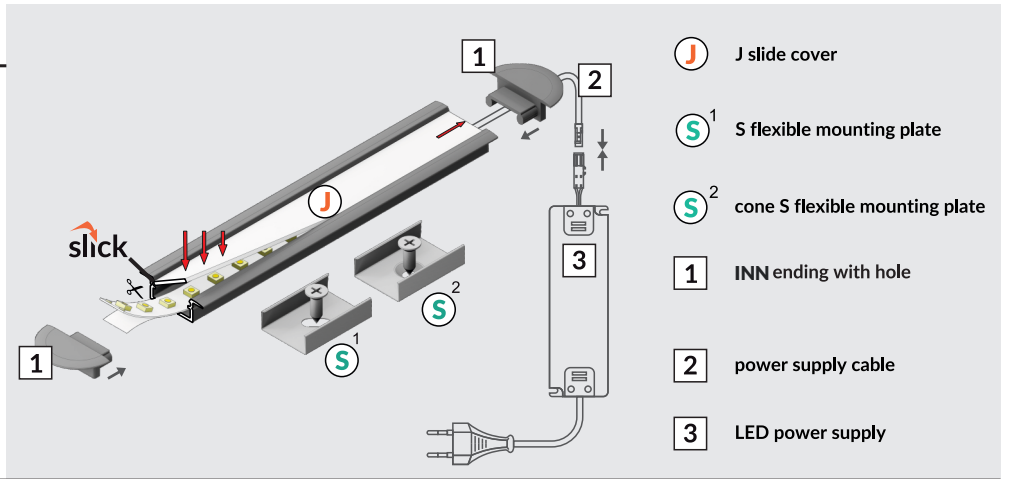
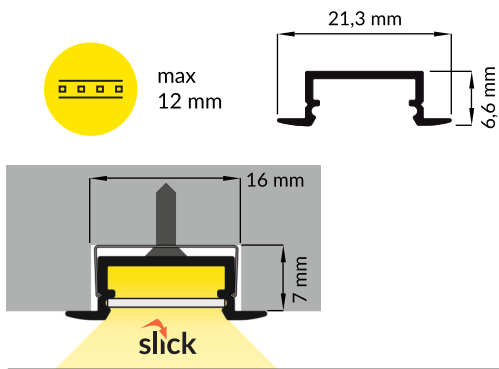
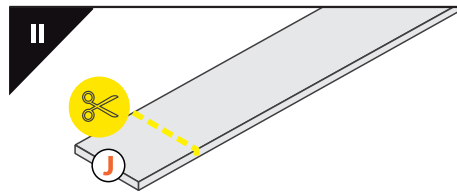


INN J/S

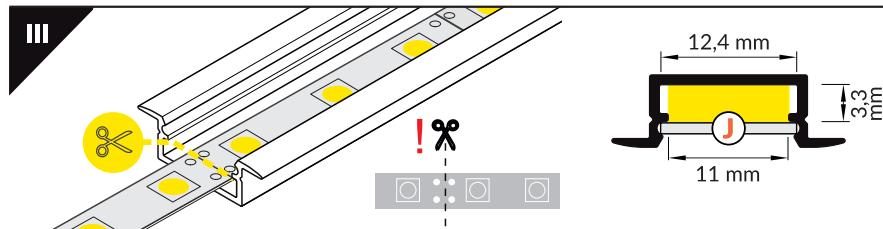
RECESSED PROFILE



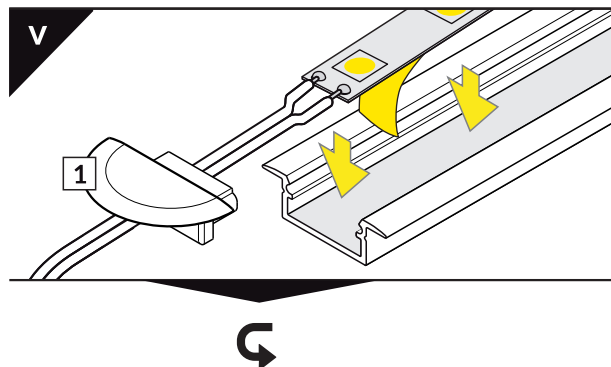
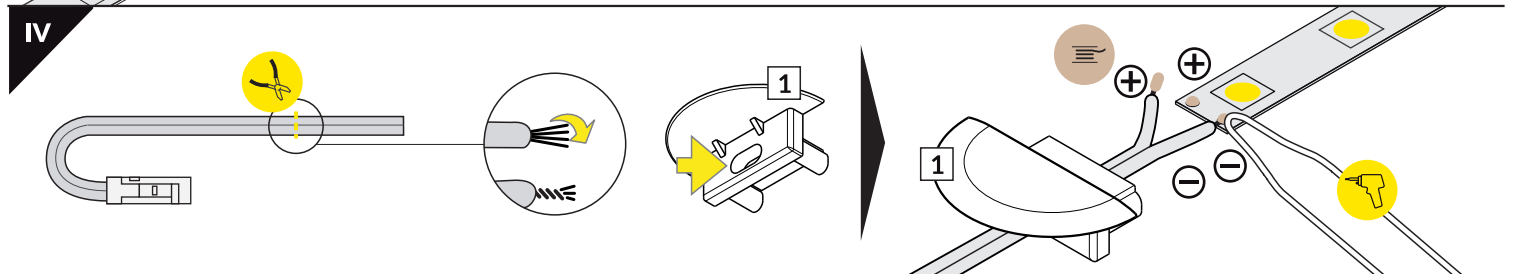
Note! Ending thickness increases the length of the luminaire (+ 2 x 10,6 mm) and the length of the mounting space (+ 2 x 3,5 mm).

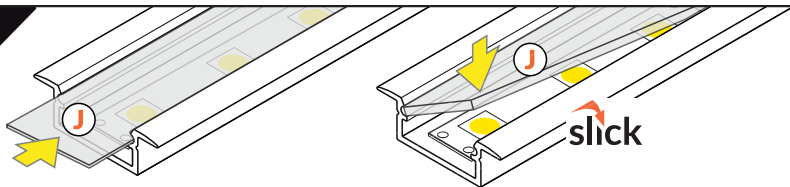
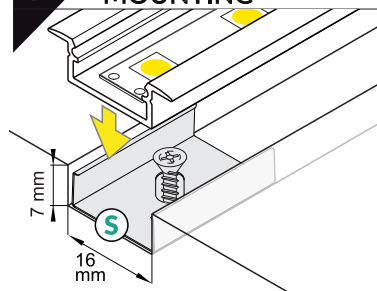
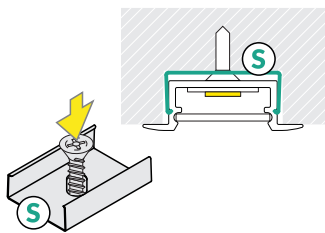
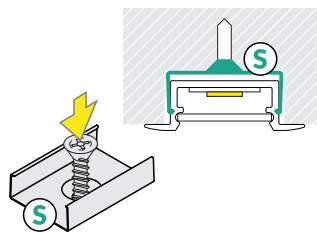
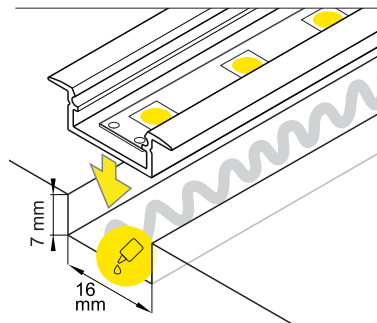


The length of the cover is equal to the length of the profile.

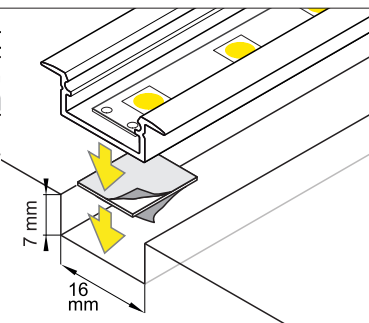


Dimensions of the space to install LED source.

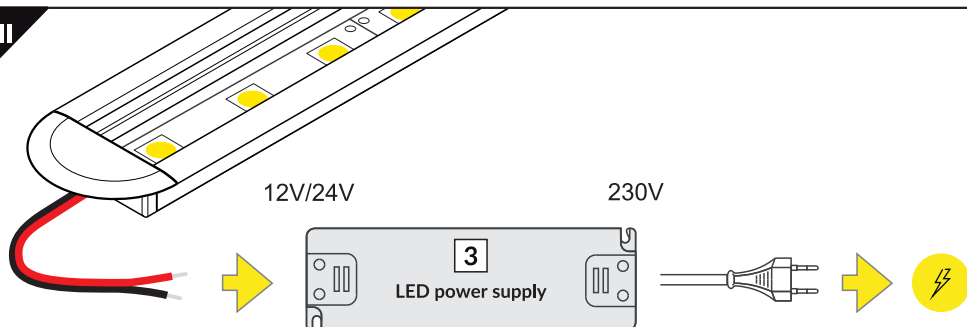


VI**J** slide cover**VII MOUNTING****S** flexible mounting plate**S** flexible mounting platecone **S** flexible mounting plate

glue



two-sided adhesive tape 25x25

VIII**ACCESSORIES**

- power switches
- controller + remote
- movement sensors