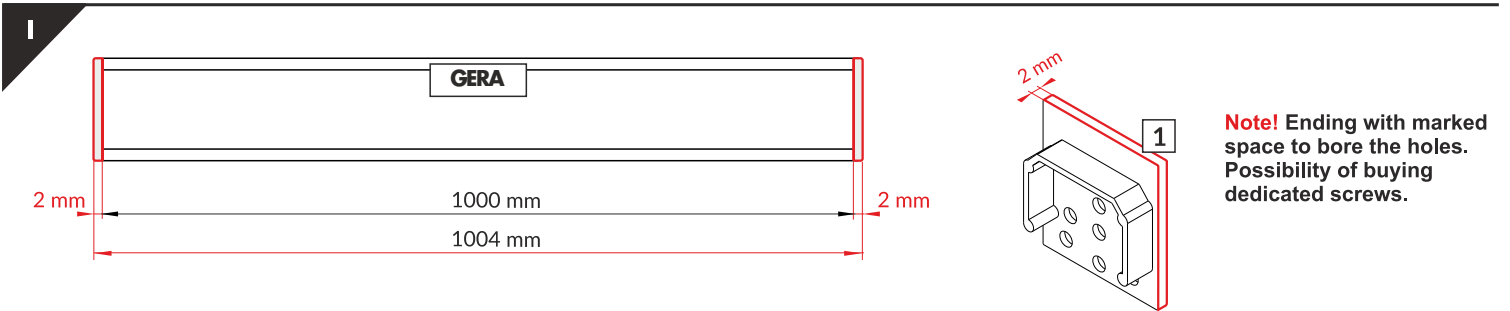
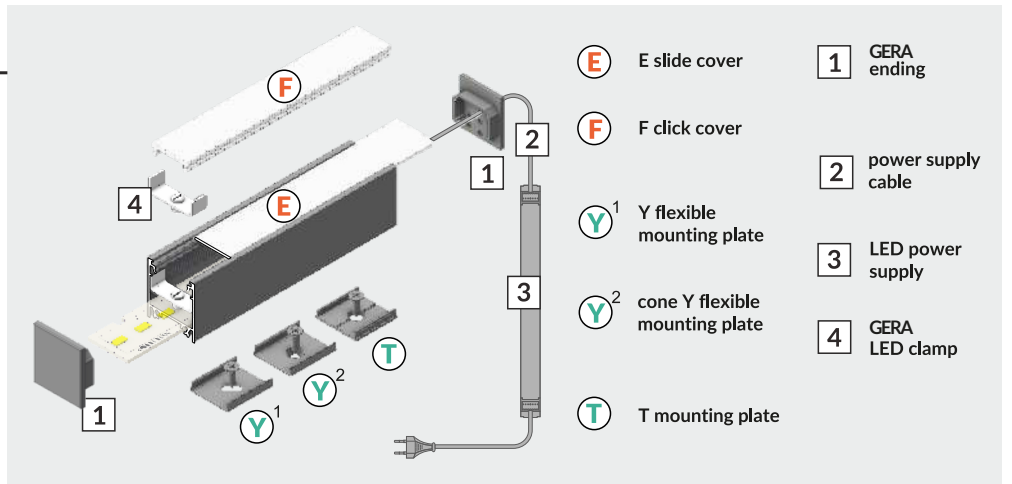
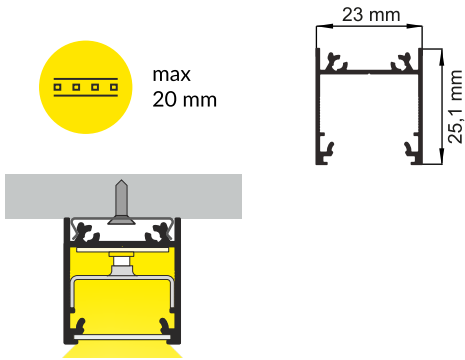
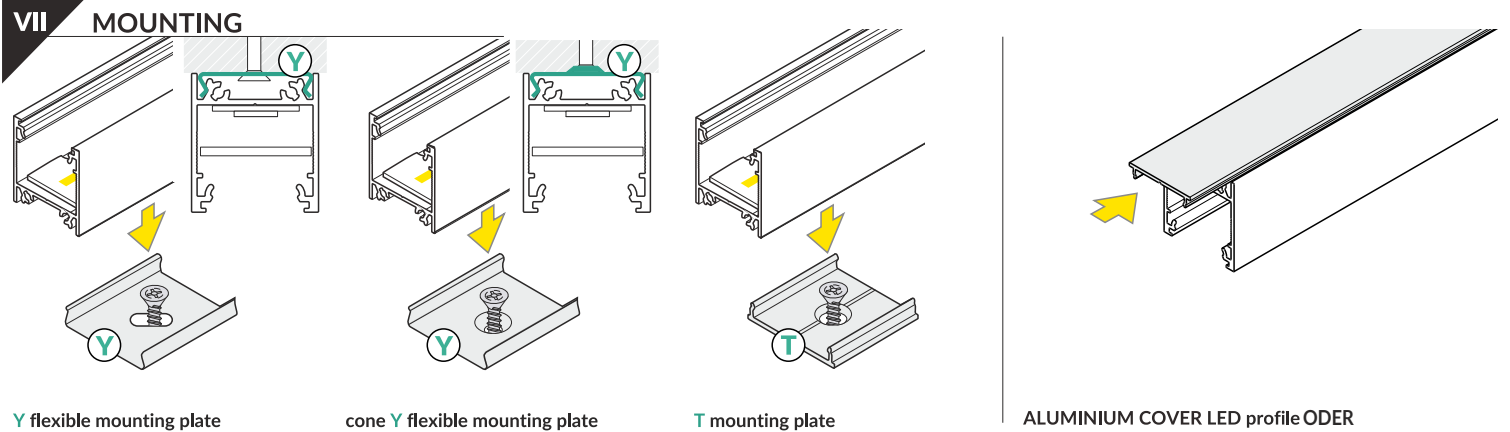
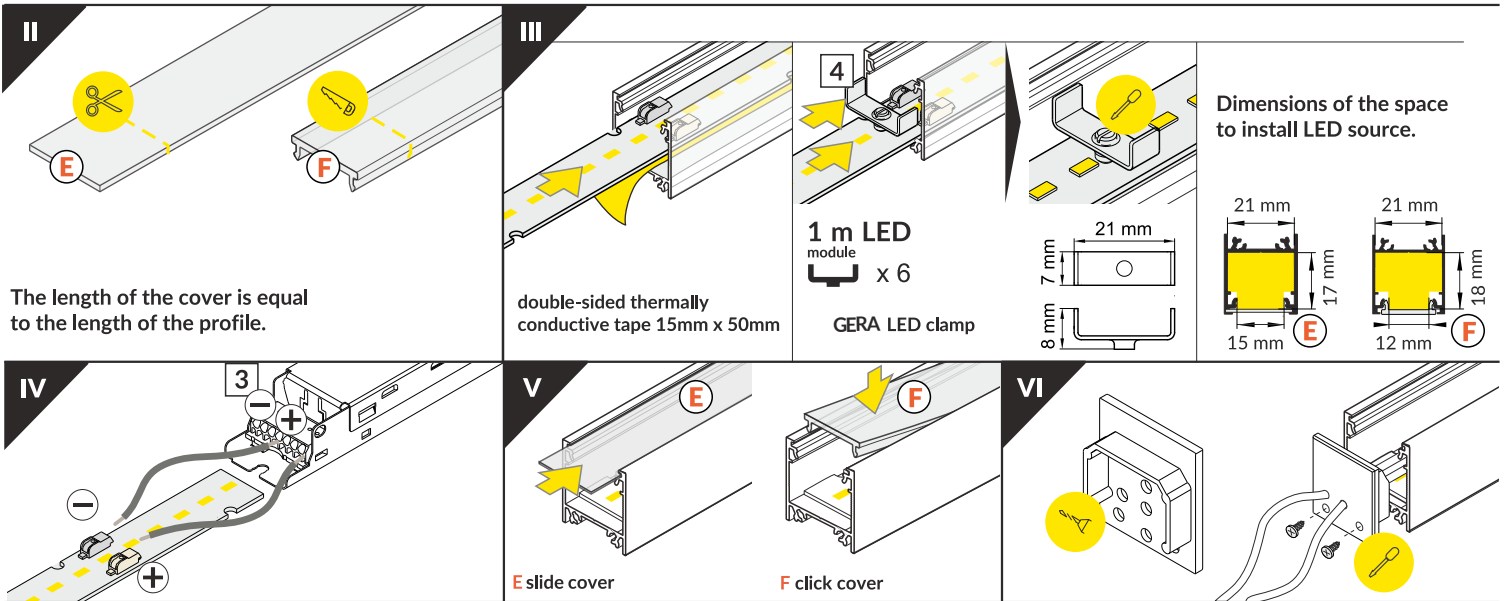


GERA EF/TY

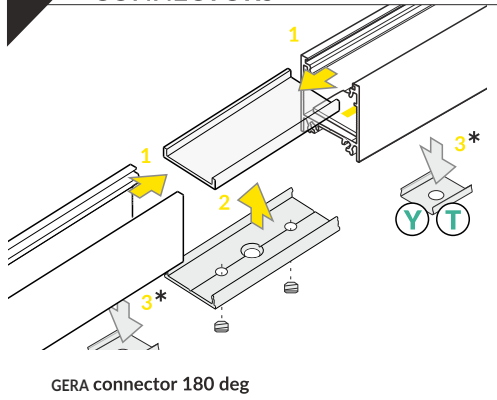
SURFACE PROFILE



Note! Ending thickness increases the length of the luminaire (+ 2 x 2 mm).



VIII CONNECTORS



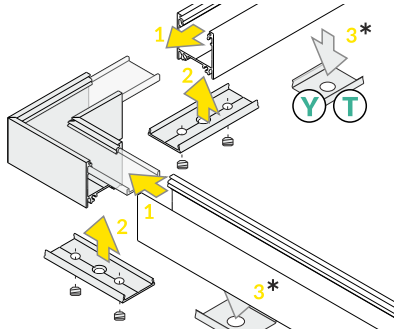
GERA connector 180 deg

Every connector is installed similarly to GERA connector 90 deg.

Available angular connectors:

1. GERA 60°
2. GERA 90°
3. GERA 90° bent
4. GERA 120°
5. GERA 135°
6. GERA 180°
7. GERA 270° bent

* Surface mounting



GERAconnector 90 deg

CONNECTION POSSIBILITIES



connector GERA 60°



connector GERA 90°



connector GERA 120°



connector GERA 135°



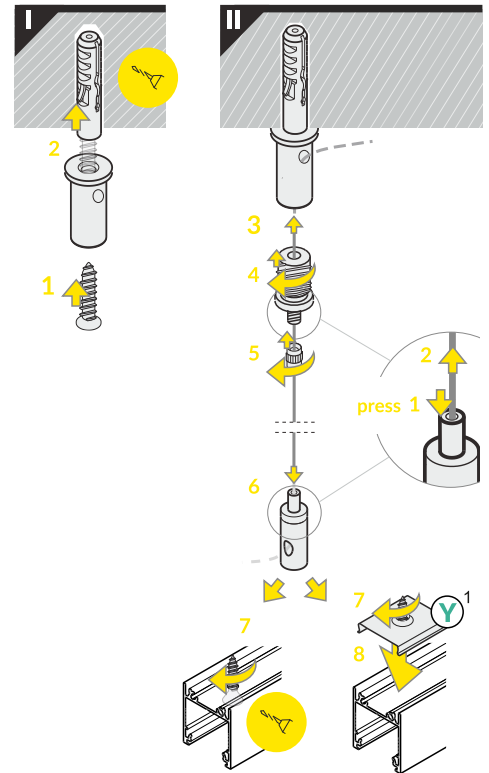
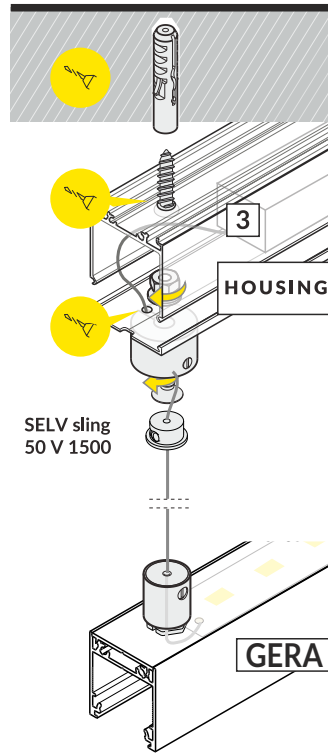
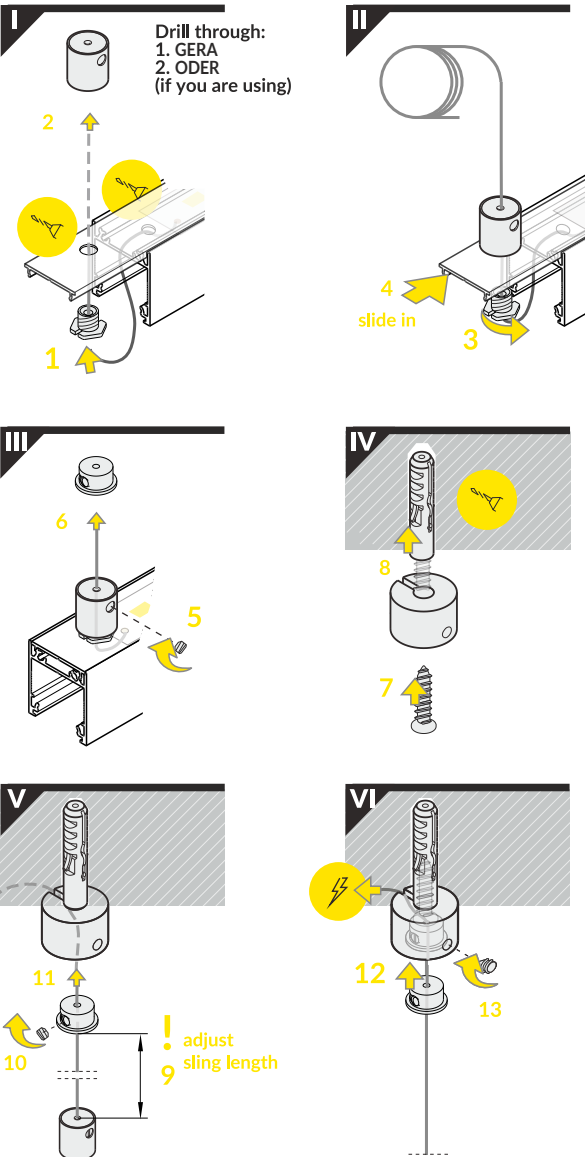
connector GERA 180°

IX SLING

SELV sling 50 V 1500

SELV sling 50 V 1500 + housing

sling for LED mounting 1500



X POWER SUPPLY

ACCESSORIES

