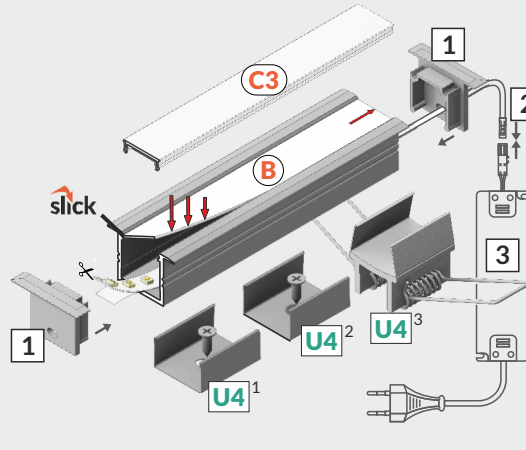
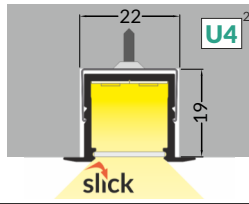
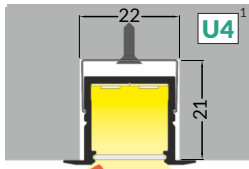
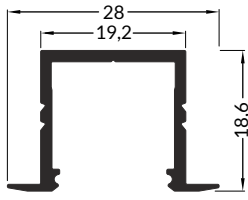
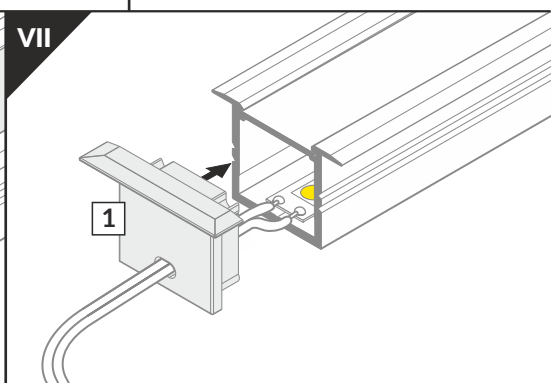
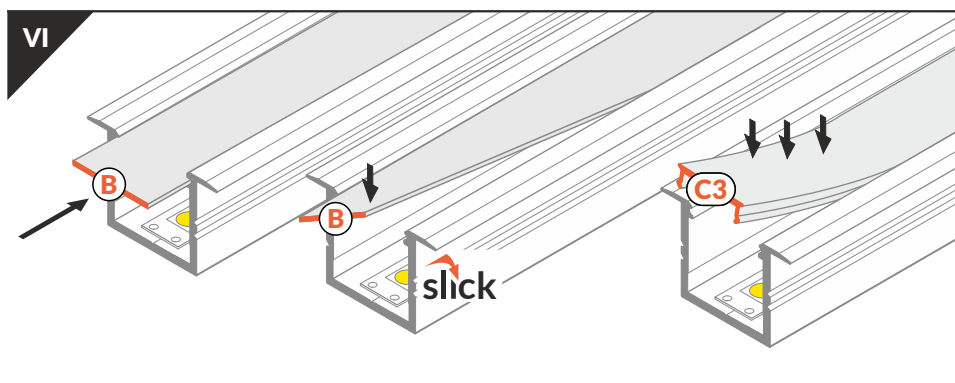
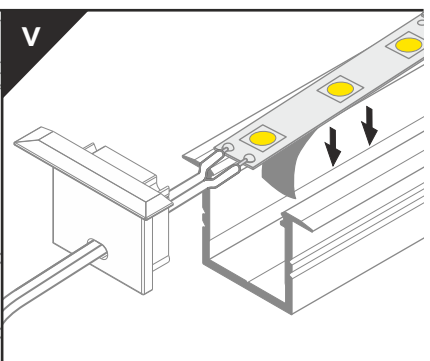
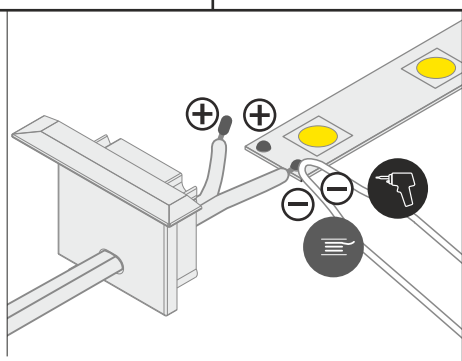
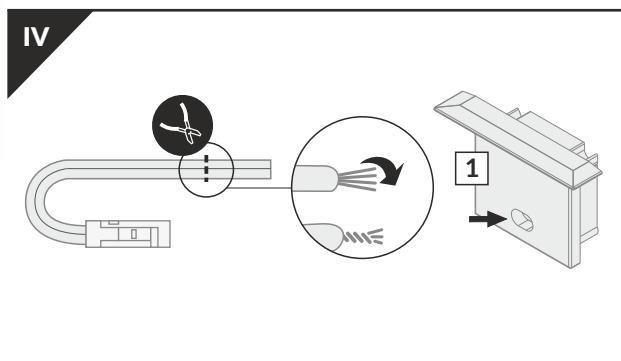
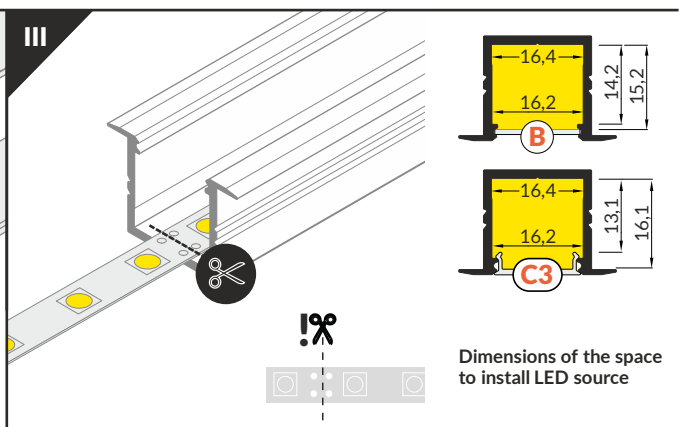
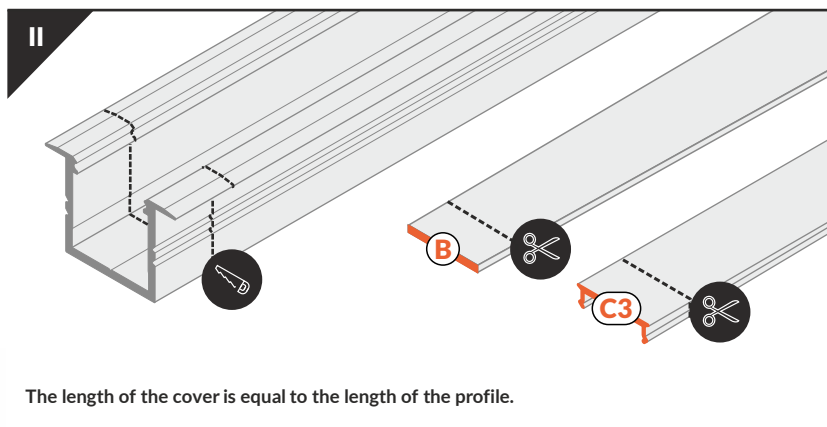
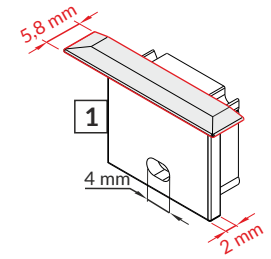
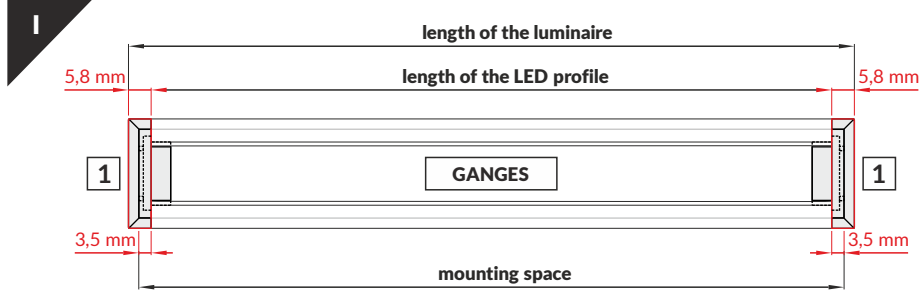
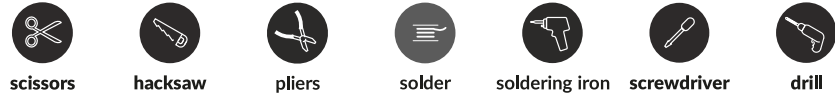


GANGES BC3/U4

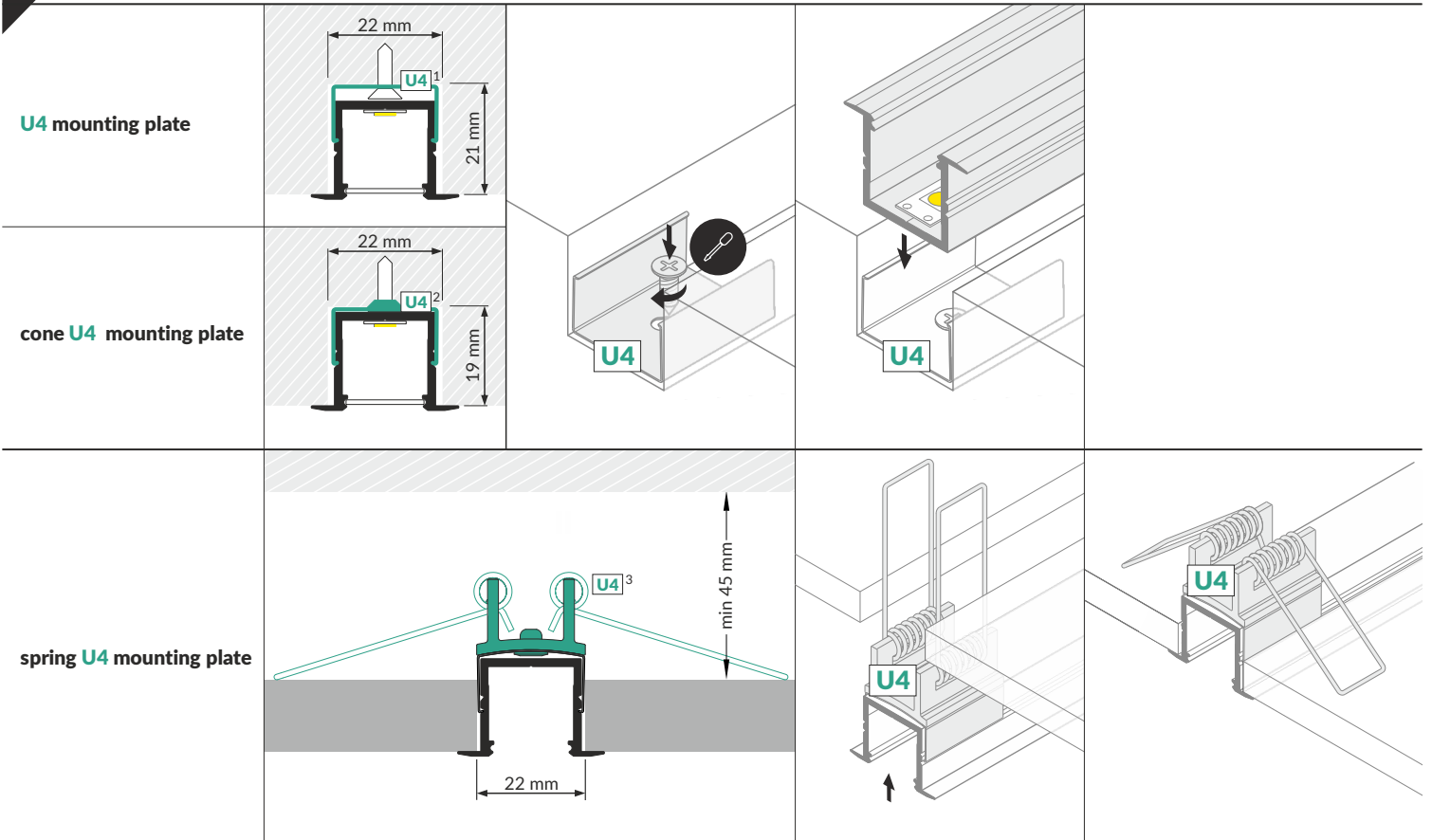
RECESSED PROFILE



- B** B slide cover
- C3** C3 click cover
- U4¹** U4 mounting plate
- U4²** cone U4 mounting plate
- U4³** spring U4 mounting plate
- 1** GANGES ending with hole
- 2** power supply cable
- 3** LED power supply

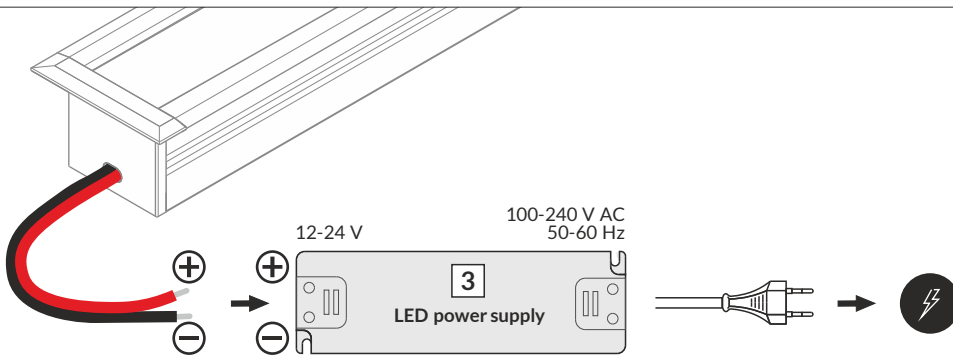


VIII MOUNTING



Other mounting possibilities: with mounting glue or mounting tape, with screws

IX POWER SUPPLY



ACCESSORIES

power switches
controller + remote
movement sensors