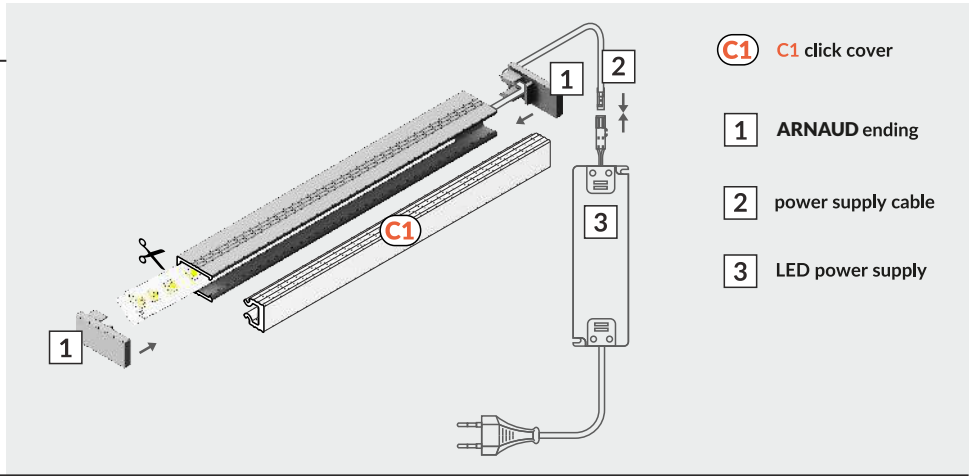
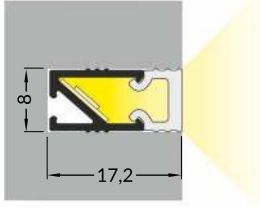
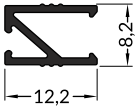


# ARNAUD C1

RECESSED PROFILE



**C1** C1 click cover

**1** ARNAUD ending

**2** power supply cable

**3** LED power supply



scissors



hacksaw



pliers



solder



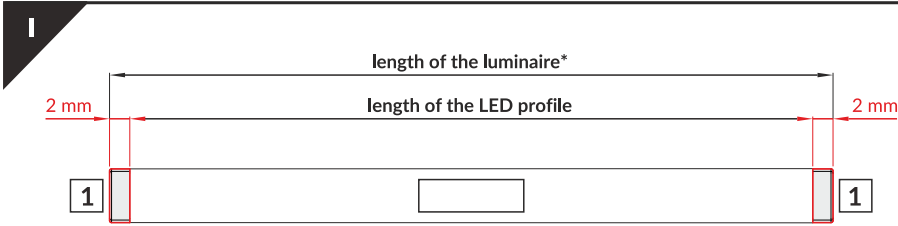
soldering iron



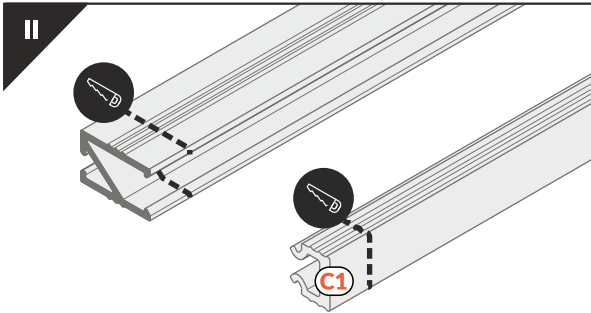
glue



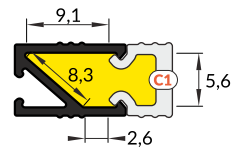
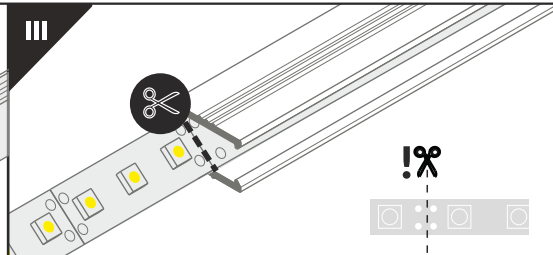
drill



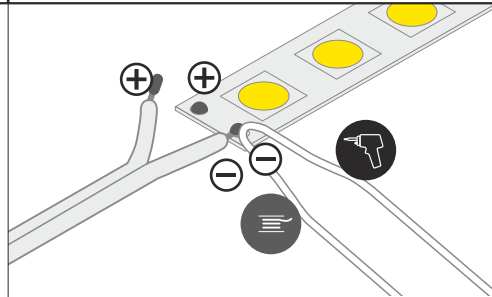
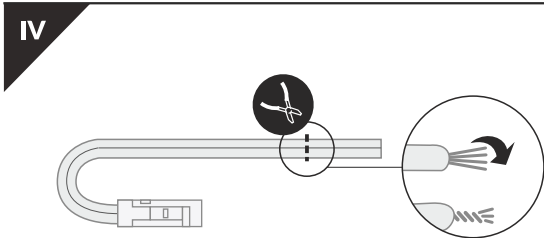
\*Length of mounting space = length of luminaire + 1 mm per each meter of the profile  
(due to cover temperature expandability especially when applying LED strips with large power i.e. 20 W/m)

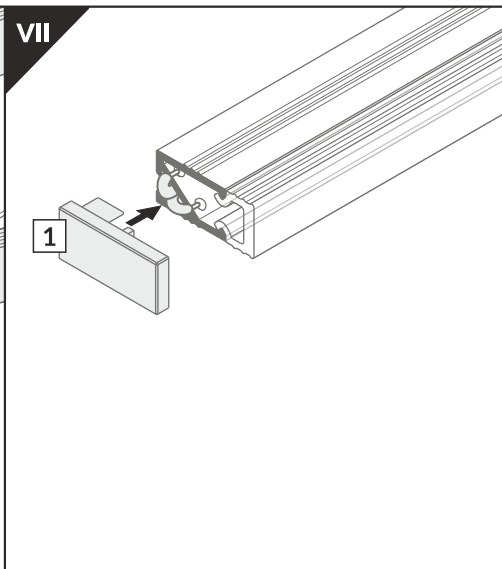
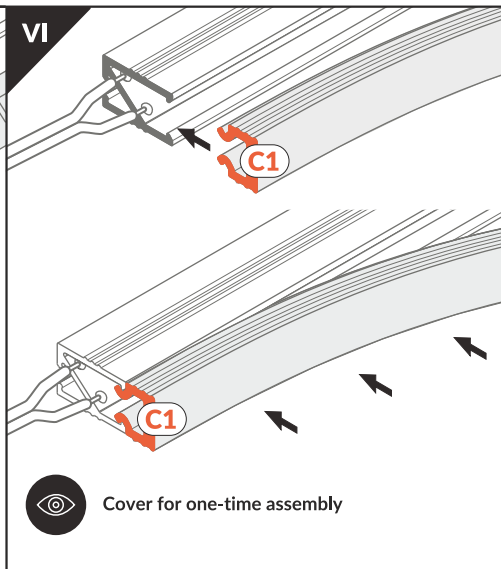
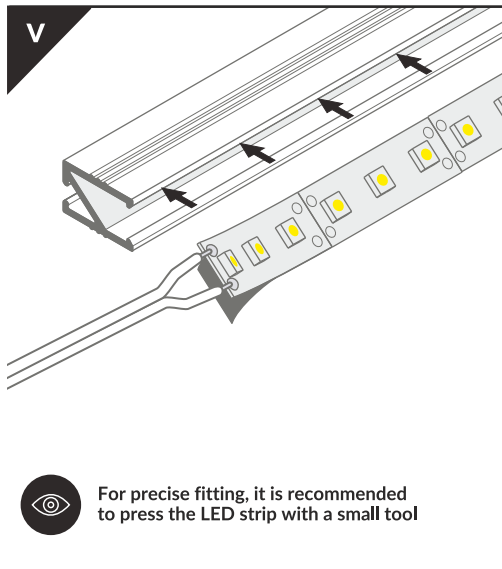


The length of the cover is equal to the length of the profile

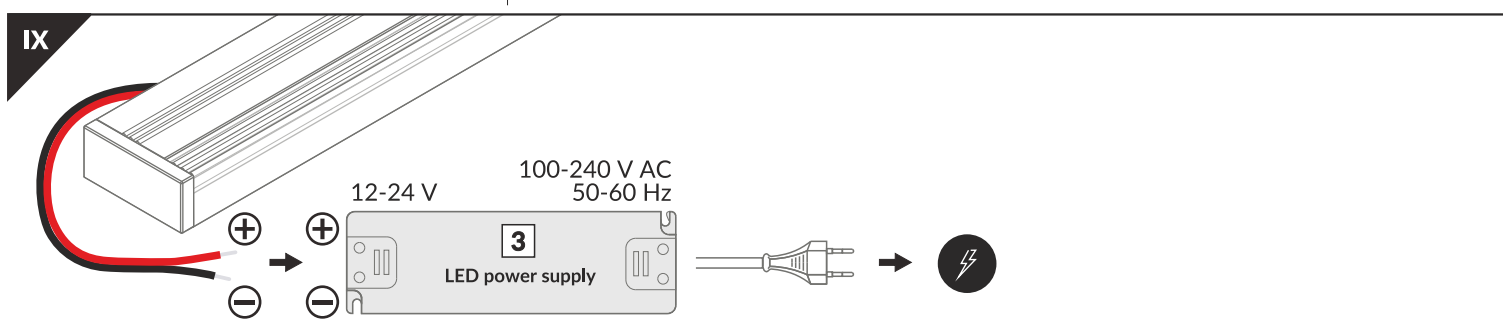
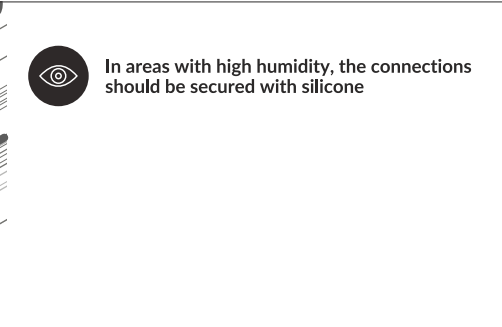
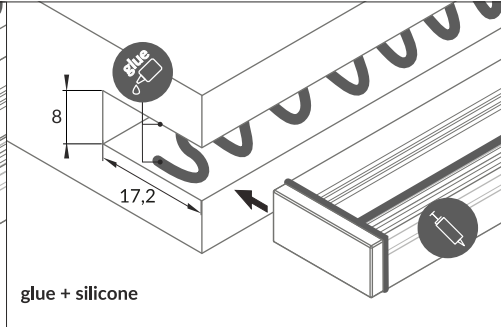
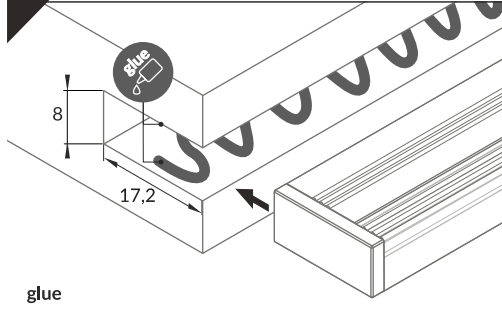


Dimensions of the space to install LED source.





**VIII MOUNTING / MONTAŽ**



**ACCESSORIES**

- power switches
- controller + remote
- movement sensors