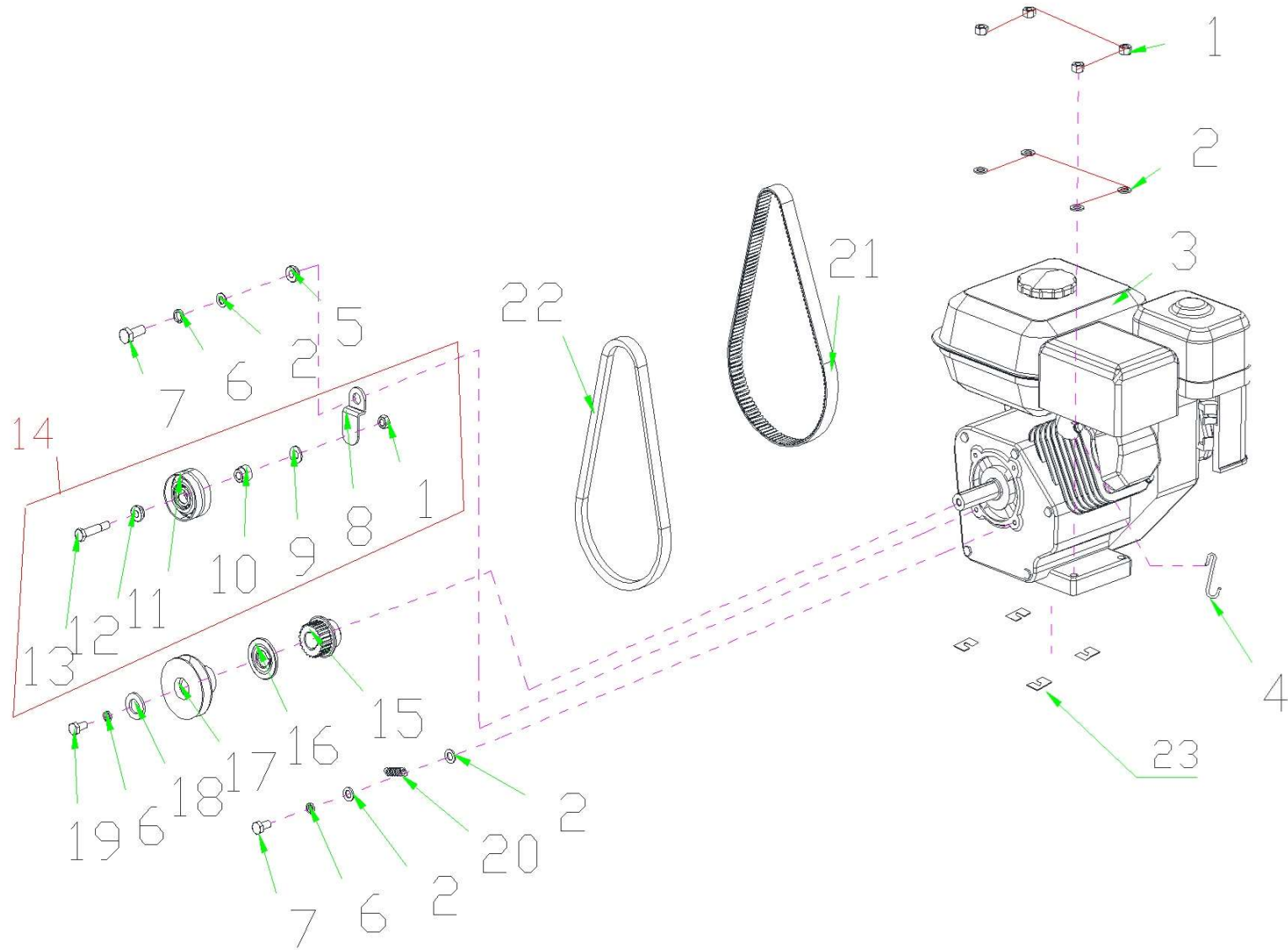
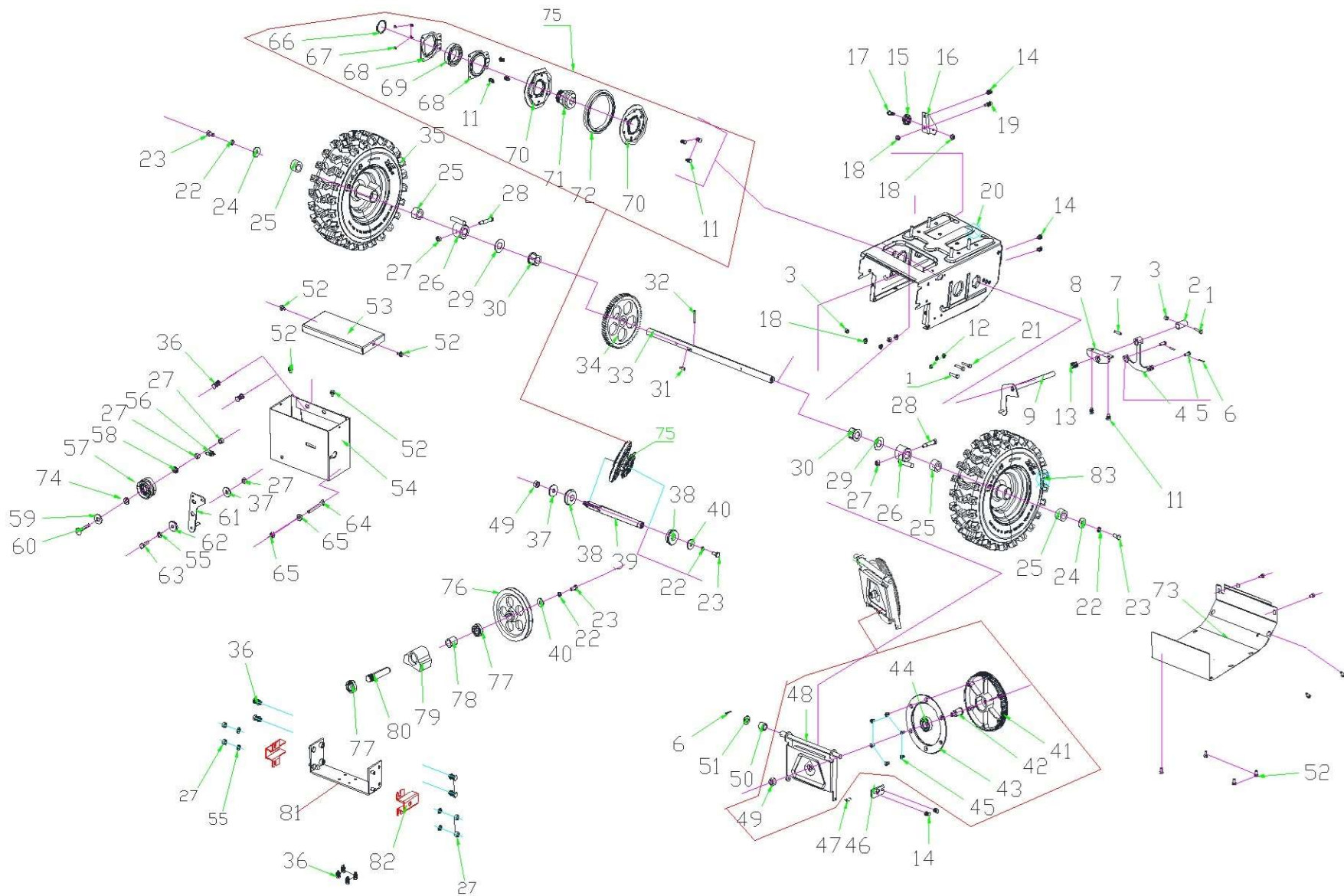


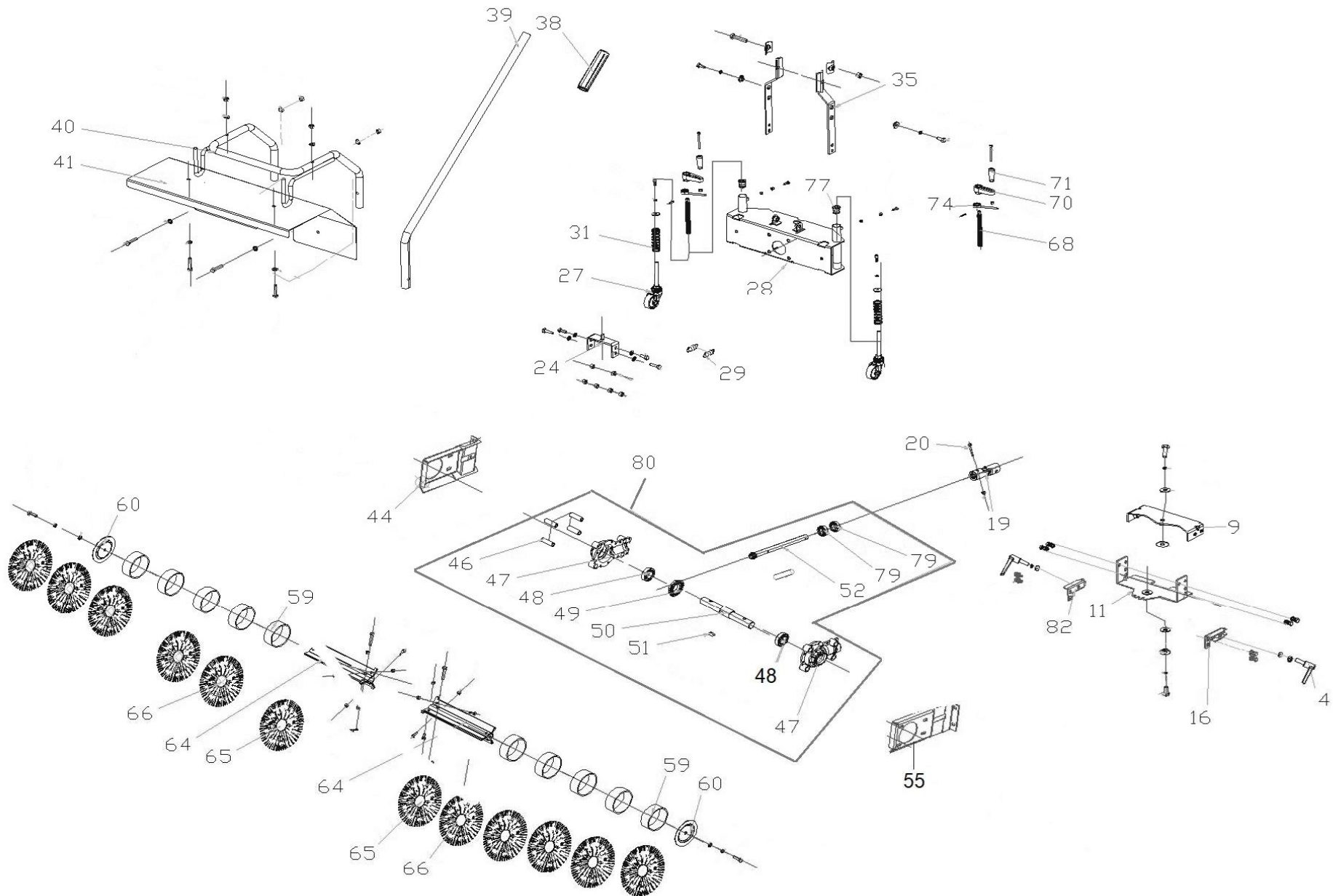
Position	Part number	Name
2	PG-024	Driving pulling pole
3	PG-056	Cable holder
4	SJ-033N	Cable (109mm)
10	PG-073HJ	Upper handle
11	PG-021	Shifting guide plate
16	PG-030	Cable fixed block
25	PG-032	Clutch lever upper case
26	PG-068	Auger control lever
27	PG-023	Clutch lever lower cover
29	PG-057	Lower handle
30	SG-060	Auger cable
33	PG-063-2	Forward speed cable
34	PG-062-2	Backward speed cable
36	PG-067	Shift lever left cover
38	AE-02-02-08	Spring
39	PG-022	Shift lever
40	PG-066	Lever guide block
43	SJ-224	Washer
44	PG-033	Lever handle



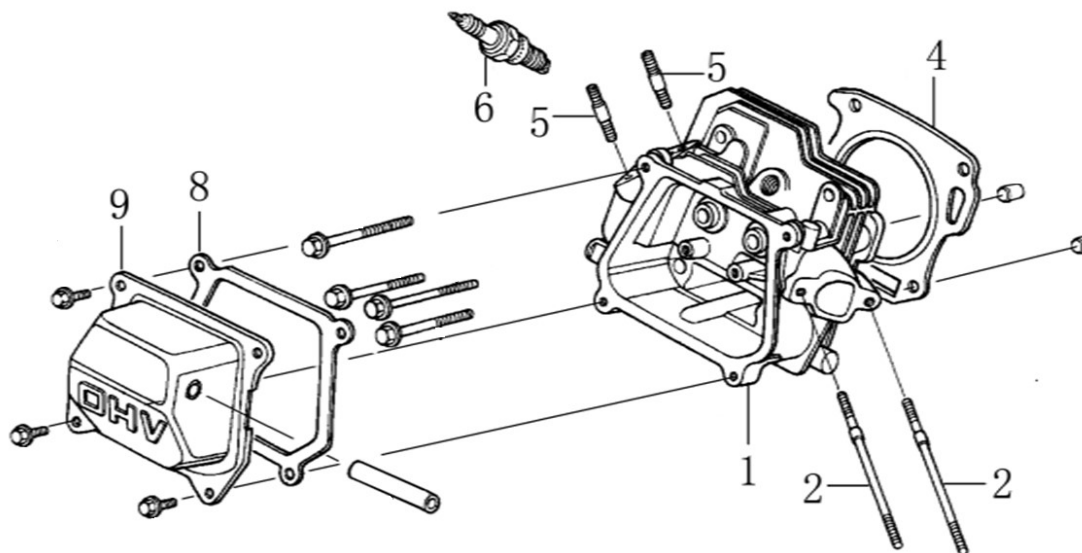
Position	Part number	Name
14	SX-11-170-2	Tensioner pulley assembly
15	SJ-049	Synchronous sheave
16	SJ-049-1	Sheave washer
17	PG-055	Sheave
20	SJ-035-1	Spring
21	SB-051	Synchronous belt 750-5M-15
22	C5LB4L-770	V-belt 4LXP700



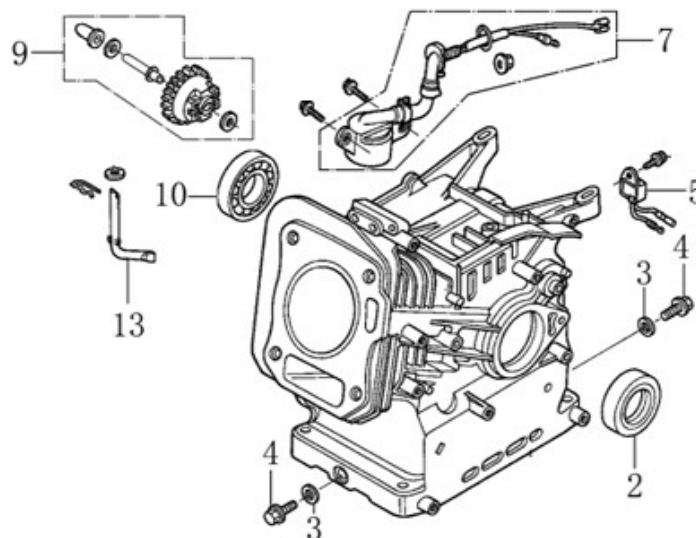
Position	Part number	Name	Position	Part number	Name
2	SJ-214	Gear lever fixed set	75	SJ-013ABCD	Friction wheel assembly
4	SJ-211	Shift rocker	76	SG-058	Sheave
5	SJ-233	Pin	78	SG-038	Bushing
8	SJ-002	Shifting fork guide plate	79	SG-012	Sheave holder
9	SJ-040-1	Shifting fork	80	SG-039	Spline shaft
15	SJ-016B	Wire pulley	81	SG-053HJ	Board
16	SJ-016A	Pulley bracket	82	SG-097	Side bracket
25	SJ-119-A	Wheel bushing	83	861610140	Left wheel
26	SG-071HJ	Bushing			
30	SJ-026	Bushing			
33	SG-068	Shaft			
34	PG-048	Gear			
35	SG-083	Right wheel			
38	SB-55	Bearing 6203 with slot			
39	PG-045	Friction wheel shaft			
41	SJ-010A	Friction sheave			
42	SJ-010B	Friction sheave axle			
44	BE-6203	Bearing 6203			
46	SJ-015SD	Board fixing plate			
47	PG-069	Spring			
48	SJ-007	Variable pulley board			
50	SJ-107	Bushing			
53	SG-008	Belt upper cover			
54	SG-004HJ	Belt cover			
56	NF-001-14-3B	Spring			
57	SX-11-170	Tensioner pulley			
61	SG-073HJ	Tensioner lever			
68	SJ-013B	Bearing housing			
71	SJ-013C-XS	Friction wheel retainer			
72	SJ-013D	Friction wheel rubber			



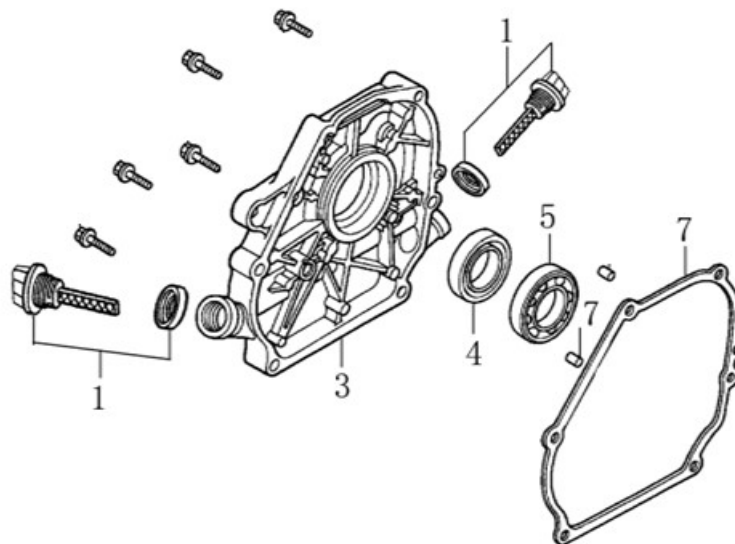
Position	Part number	Name	Position	Part number	Name
4	861600004	Locking lever	66	SG-081	Brush
9	SG-052HJ	Upper fixed plate	68	861600068	Axle
11	SG-051HJ	Lower fixed plate	70	861600070	Lever
16	SG-099	Side bracket left	71	861600071	Lever handle
19	SG-066	Cardan joint	74	861600074	Lock lever
20	SG-090	Pin	77	861600077	Nut
24	SG-054HJ	Fixed plate	79	6003	Bearing 6003
27	SG-035-4	Auxiliary wheel	80	861600080	Gearbox assembly
28	SG-050HJ-2	Frame	82	SG-099-2	Side bracket right
29	ES-035	Spring			
31	861600031	Spring			
35	SG-015	Vertical fixed plate			
38	SG-P084	Handle grip			
39	ES-012	Control lever			
40	SG-085HJ	Frame			
41	SG-024	Brush cover			
43	H75506	Oil seal 25x40x7			
44	SG-094HJ	Gearbox right bracket			
46	SG-076	Bushing			
47	SG-077	Gearbox case (1 Pcs)			
48	6005	Bearing 6005			
49	SG-033	Gear			
50	SG-041	Shaft			
51	C5C080718	Key 6x6x14			
52	SG-034	Worm shaft			
55	SG-095HJ	Gearbox left bracket			
59	SG-031	Spacer bushing			
60	SG-025	Pressing plate			
64	SG-021HJ	Broom axle			
65	SG-081-2	Cone brush			



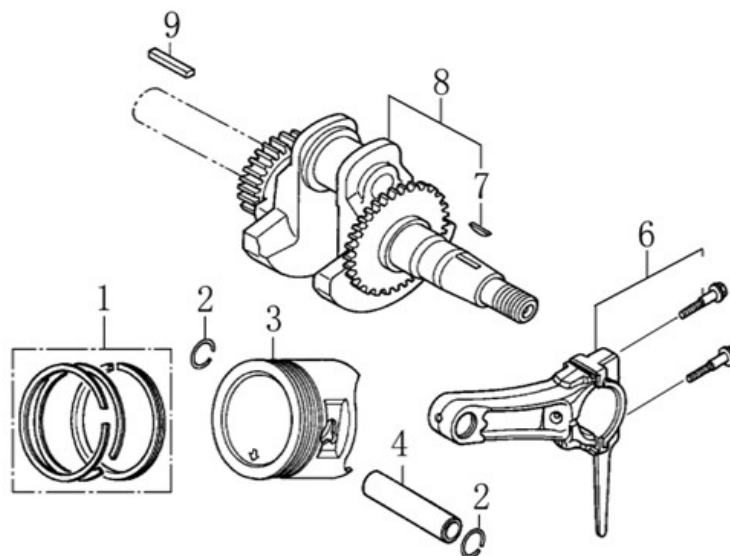
Position	Part number	Name
1	120080276-0001	Cylinder head
2	380180093-0001	Stud bolt M6x113
4	120150070-0001	Cylinder head gasket
5	380180098-0001	Stud bolt M8x34
6	A969P	Spark plug
8	120250013-0001	Cylinder head cover gasket
9	120220008-0001	Cylinder head cover



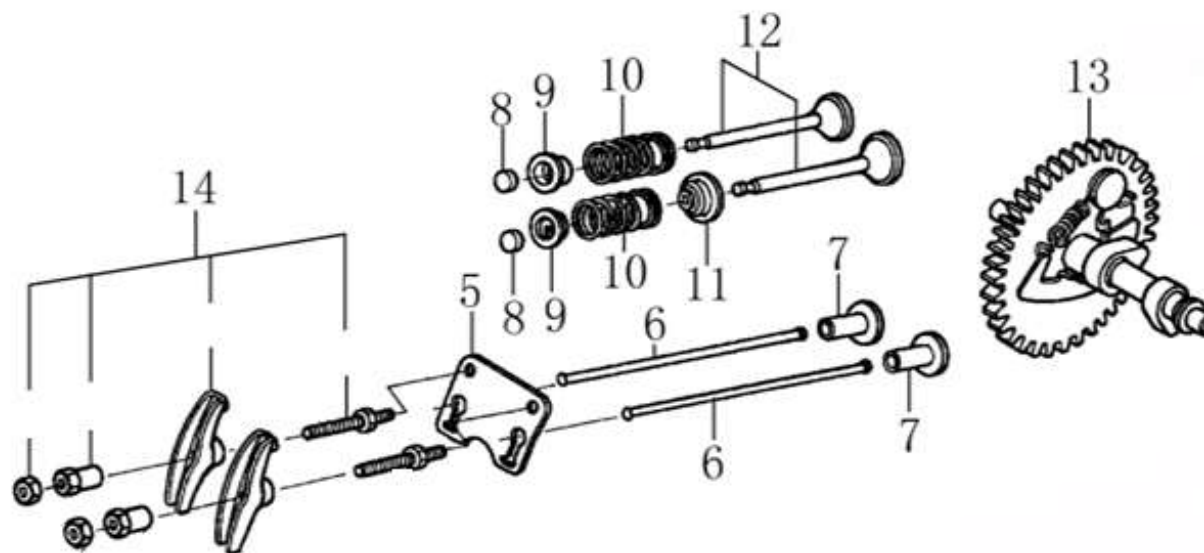
Position	Part number	Name
2	380650490-0001	Oil seal 25x41,25x6
3	380450514-0001	Washer
4	110260025-0001	Bolt M10x15
5	281890003-0001	Oil sensor
7	281850160-0001	Oil level switch
9	171750002-0001	Governor gear assembly
10	6205	Bearing 6205
13	171630001-0001	Governor control rod



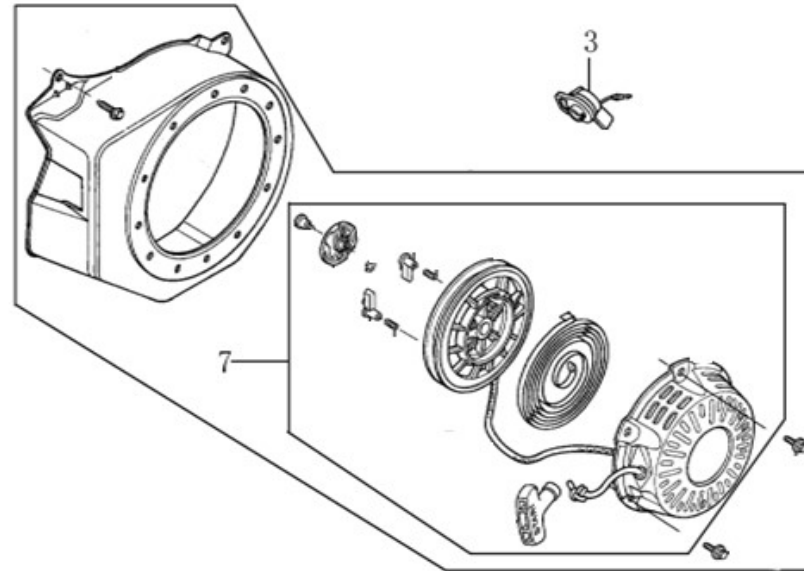
Position	Part number	Name
1	14301-KB01-0000	Oil dipstick
3	110820014-0001	Crankcase cover
4	081118-100	Oil seal 25x41,25x6
5	6205	Bearing 6205
7	110830007-0001	Crankcase gasket



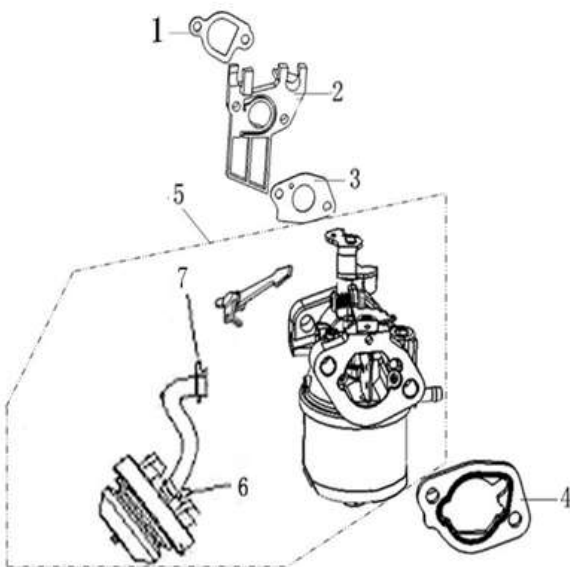
Position	Part number	Name
1	130070079-0001	Piston ring set
2	380560056-0001	Piston pin clip
3	130030083-0001	Piston
4	130060031-0001	Piston pin
6	130150039-0001	Connecting rod
7	380620050-0001	Woodruff key
8	130290221-0001	Crankshaft
9	380620075-0001	Key 4,7x4,7x70



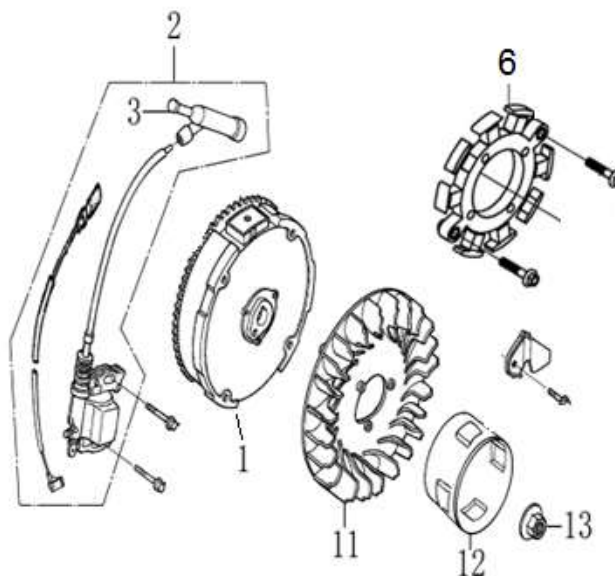
Position	Part number	Name
5	140710001-0001	Valve guide plate
6	140670004-0001	Valve pushing rod
7	140690003-0001	Valve lifter
8	140320001-0001	Valve rotator
9	140380017-0001	Valve spring seat
10	140340022-0001	Valve spring
11	140400011-0001	Valve gasket
12	500550024-0001	Valve set
13	140020040-0001	Camshaft
14	140450022-0001	Arm comp.



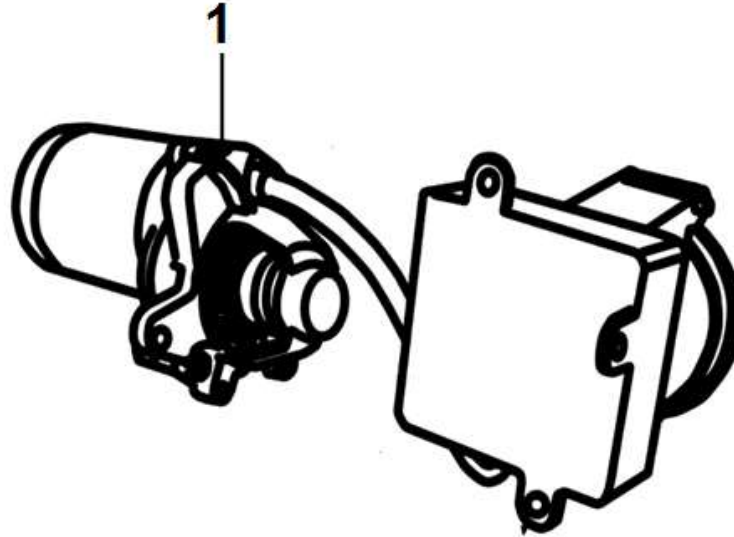
Position	Part number	Name
3	271660038-0001	Switch assy, engine stop
7	012021500002	Starter assy.



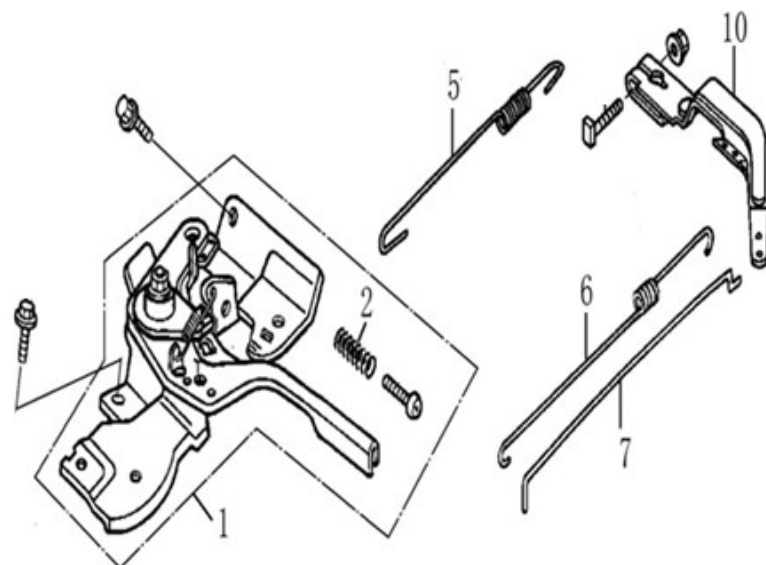
Position	Part number	Název	Name
1	170430060-0001	Těsnění sání	Insulator gasket
2	170440038-0001	Příruba karburátoru	Carburetor insulator
3	170430048-0001	Těsnění karburátoru	Carburetor gasket
4	170430065-0001	Těsnění vzduch. filtru	Air filter gasket
5	170021087-0001	Karburátor kompletní	Carburetor
6	113300-369000	Primer	Fuel pump
7	380750461-T040	Palivová hadička	Fuel tube



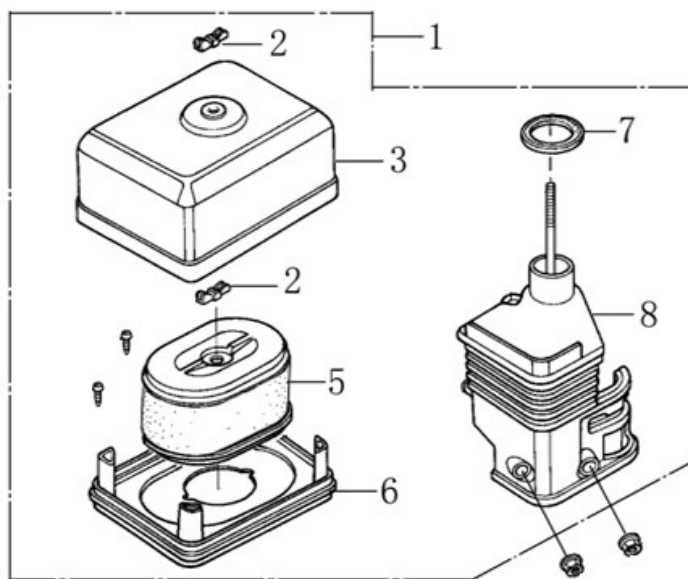
Position	Part number	Name
1	270020161-0001	Flywheel
2	270920180-0001	Coil ignition
3	270950042-0001	Spark plug cap
6	270210040-0001	Charge coil
11	160180007-0001	Fan
12	193590005-0001	Starter idle pulley
13	380370051-0001	Nut M14x1,5



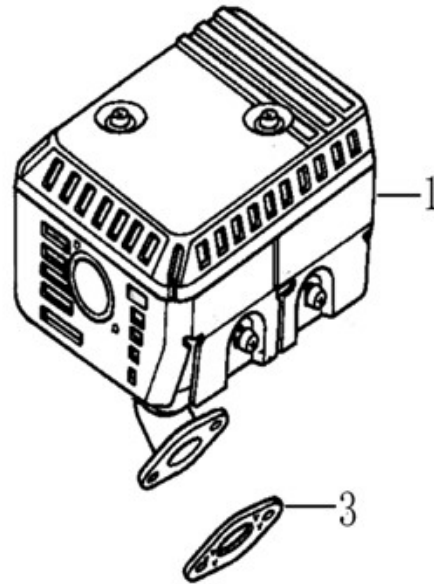
Position	Part number	Name
1	270360029-0001	Electric starter



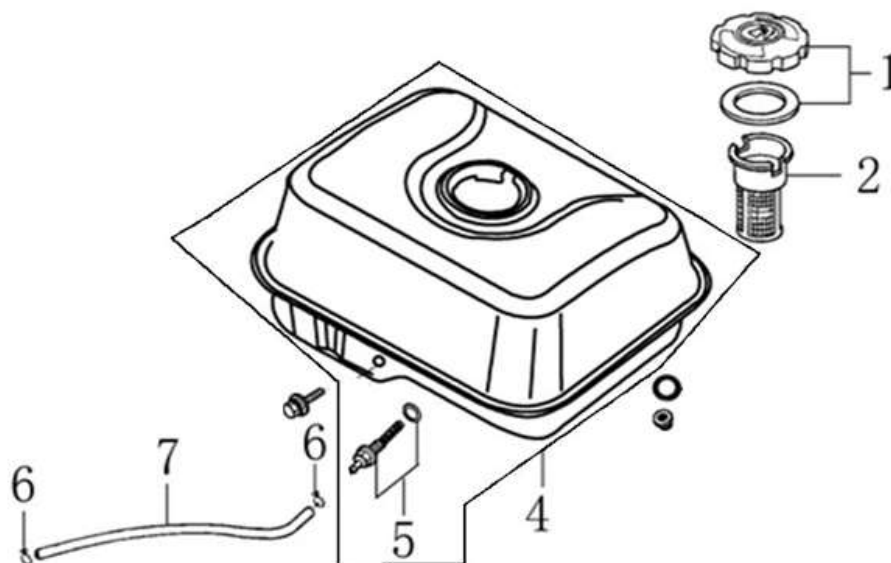
Position	Part number	Name
1	171680028-0001	Governor board
2	171660001-0001	Spring
5	171600084-0001	Return spring
6	171610002-0001	Governor rod spring
7	171590002-0001	Governor rod
10	171620001-0001	Governor lever



Position	Part number	Name
1	180020462-0001	Air cleaner assembly
2	380440002-0001	Butterfly nut M6
3	180070096-0001	Air cleaner cover
5	30-404	Air filter element
6	180330018-0001	Air cleaner base
7	380840437-0001	Gasket
8	180280001-0001	Air cleaner elbow base



Position	Part number	Name
1	180571318-0001	Muffler
3	180650065-0001	Gasket, muffler



Position	Part number	Name
1	170870040-0001	Fuel tank cap
2	170720001-0001	Fuel tank sieve
4	170500997-0003	Fuel tank
5	170660077-0001	Fuel filter
6	380950188-0001	Fuel tube clip
7	380750180-0001	Fuel tube