

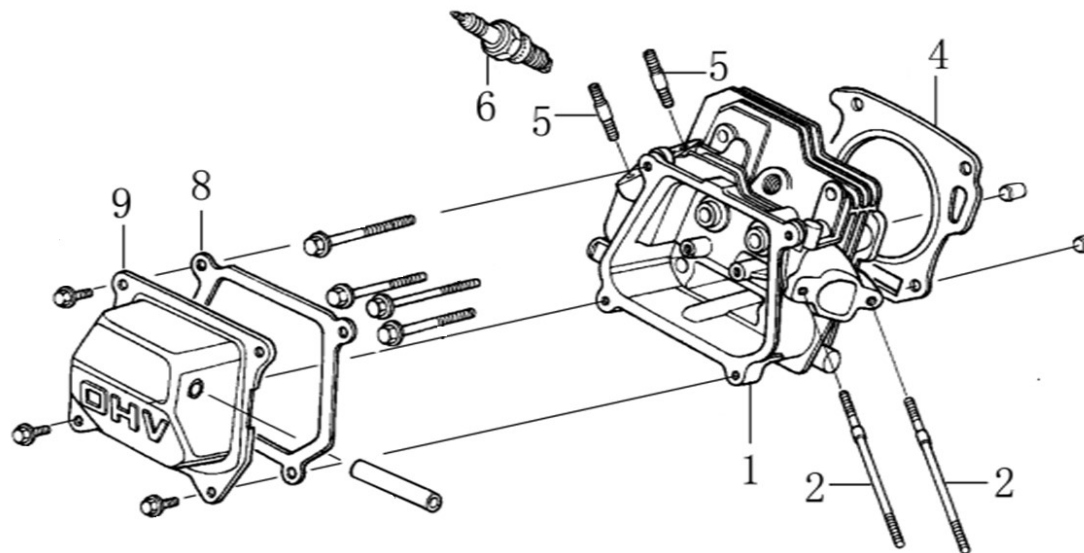
| Position | Part number | Název | Name |
|----------|-------------|--------------------------|-------------------------|
| 1 | 861610130 | Spodní kryt šasí | Deck bottom cover |
| 2 | P-10 | Podložka 10 | Washer 10 |
| 3 | 861610028 | Táhlo řazení | Shifting rod |
| 4 | AE-02-02-03 | Kloub táhla řazení | Shifting rod joint |
| 8 | SJ-233 | Závlačka 2,5x25 | Cotter pin 2,5x25 |
| 9 | 861610030 | Pružný čep 6x30 | Slotted spring pin 6x30 |
| 12 | M-06 | Matice M6 | Nut M6 |
| 13 | SJ-002 | Vedení páky řazení | Shifting fork bracket |
| 14 | SJ-040-1 | Vidlice řazení | Shifting fork |
| 15 | P-06 | Podložka 6 | Washer 6 |
| 17 | P-08 | Podložka 8 | Washer 8 |
| 18 | M-08 | Matice M8 | Nut M8 |
| 19 | 861610014 | Bowden kartáče | Brush control cable |
| 20 | SB-94 | Matice M8 | Nut M8 |
| 21 | S-08*40 | Šroub M8x40 | Bolt M8x40 |
| 22 | VP-08 | Velká podložka 8 | Big washer 8 |
| 23 | MF-06 | Matice M6 | Nut M6 |
| 24 | SJ-107 | Pouzdro | Bushing |
| 26 | S-08*65 | Šroub M8x65 | Bolt M8x65 |
| 27 | M-10 | Matice M10 | Nut M10 |
| 28 | SJ-010B | Hřídelka řemenice | Friction sheave axle |
| 29 | 6203-ZZ | Ložisko 6203-Z | Bearing 6203-Z |
| 30 | S-06*12 | Šroub M6x12 | Bolt M6x12 |
| 31 | SJ-046-1 | Podložka | Washer |
| 32 | PP-08 | Pružná podložka 8 | Spring washer 8 |
| 33 | S-08*20 | Šroub M8x20 | Bolt M8x20 |
| 34 | S-08*40 | Šroub M8x40 | Bolt M8x40 |
| 37 | S-06*30 | Šroub M6x30 | |
| 38 | 26809006701 | Pružný čep 4x30 | Split pin 4x30 |
| 39 | 26809006401 | Woodruffovo key 5x7,5x19 | Woodruff key 5x7,5x19 |
| 40 | P-20 | Podložka 20 | Washer 20 |
| 41 | SJ-026 | Pouzdro | Sleeve |
| 42 | SJ-015SD | Držák desky řemenice | Board bracket |
| 43 | PG-055 | Řemenice motoru (Kartáč) | Engine sheave (Brush) |
| 44 | S-08*45 | Šroub M8x45 | Bolt M8x45 |
| 45 | 861610033 | Spodní madlo | Lower handle |
| 46 | SJ-013-XS | Náboj třecího kola | Friction wheel retainer |

| Position | Part number | Název | Name |
|----------|-------------|--------------------------|----------------------------|
| 47 | PG-045 | Šestihřanná hřídel | Hexagon shaft |
| 48 | PG-048 | Ozubené kolo | Gear |
| 49 | SG-071HJ | Náboj kola | Wheel retainer |
| 50 | SG-068 | Osa kol | Wheel shaft |
| 51 | 861610076 | Šasí | Deck |
| 52 | 861610039 | Táhlo bowdenu pojezdu | Driving cable rod |
| 54 | C-01-09 | Pružina | Spring |
| 55 | 861610002 | Páka řazení | Shifting lever |
| 56 | 861610006 | Panel řidítek | Handlebar panel |
| 57 | 6203-ZZ | Ložisko 6203-Z | Bearing 6203-Z |
| 58 | VP-10 | Velká podložka 10 | Big washer 10 |
| 59 | C5C080718 | Pero 8x7x18 | Key 8x7x18 |
| 60 | VP-08 | Velká podložka 8 | Big washer 8 |
| 62 | SJ-013A | Domeček gumového kroužku | Rubber wheel housing |
| 63 | SJ-013D | Gumový kroužek | Rubber wheel |
| 64 | SJ-013B | Domeček ložiska | Bearing housing |
| 192 | SJ-013ABCD | Třecí kolo kompletní | Friction wheel assembly |
| 65 | SJ-010A | Třecí řemenice pojezdu | Friction sheave |
| 68 | SJ-007 | Deska řemenice pojezdu | Friction sheave board |
| 69 | S-06*16 | Šroub M6x16 | Bolt M6x16 |
| 70 | SG-083 | Pravé kolo | Right wheel |
| | 861610140 | Levé kolo | Left wheel |
| 71 | SB-051 | Ozubený řemen 750-5M-15 | Synchromous belt 750-5M-15 |
| 72 | S-06*12 | Šroub M6x12 | Bolt M6x12 |
| 73 | SJ-035-1 | Pružina | Spring |
| 74 | S-08*25 | Šroub M8x25 | Bolt M8x25 |
| 75 | VP-08 | Velká podložka 8 | Big washer 8 |
| 76 | SJ-049 | Řemenice motoru (Pojezd) | Engine sheave (Driving) |
| 77 | SJ-049-1 | Podložka | Washer |
| 78 | SX-11-170-2 | Kladka napínáku | Tensioner wheel assembly |
| 79 | 868000079 | Kladka napínáku | Tensioner wheel assembly |
| 82 | SJ-016B | Kladka bowdenu | Cable pulley |
| 83 | SJ-016A | Držák kladky | Pulley bracket |
| 84 | 861610025 | Spojovací čep | Connecting piece |
| 85 | PG-033 | Madlo páky | Shifting lever handle |
| 86 | 861610016 | Pravé horní madlo | Right upper handle |
| 87 | SX-11-31-4 | Ovládací páka kartáče | Brush control lever |

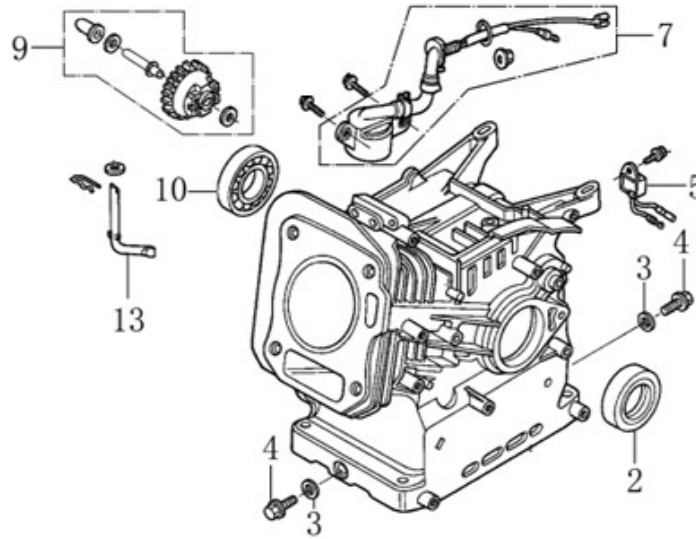
| Position | Part number | Název | Name |
|----------|------------------|-------------------------------|---|
| 88 | 861610038 | Matice | Nut |
| 89 | 861610004 | Pružina | Spring |
| 91 | 861610017 | Levé horní madlo | Left upper handle |
| 94 | SJ-008C | Podložka | Washer |
| 96 | SJ-032 | Bowden pojezdu | Driving cable |
| 98 | P-08 | Podložka 8 | Washer 8 |
| 99 | 861610015 | Rukojeť madla | Handle grip |
| 101 | S-08*50 | Šroub M8x50 | Bolt M8x50 |
| 102 | VP-08 | Velká podložka 8 | Big washer 8 |
| 104 | SJ-119-A | Pouzdro kola | Wheel bushing |
| 105 | PG-069 | Pružina | Spring |
| 108 | 861610019 | Šroub madla M8x40 | Handle bolt M8x40 |
| 110 | S-08*55 | Šroub M8x55 | Bolt M8x55 |
| 111 | 2012-SX-11-031-2 | Ovládací páka pojezdu | Driving control lever |
| 112 | SG-058 | Řemenice kartáče | Brush sheave |
| 113 | VP-08 | Velká podložka 8 | Big washer 8 |
| 114 | C5LB4L-770 | Klínový řemen 4LXP700 | V belt 4LXP700 |
| 115 | SG-004HJ | Kryt řemenu | Belt cover |
| 116 | SG-008 | Horní kryt řemenu | Belt upper cover |
| 117 | SG-073HJ | Páka napínáku | Tensioner lever |
| 118 | SG-081 | Rovný kartáč (22ks na stroji) | Straight brush (22pcs total on machine) |
| 119 | SG-P084 | Rukojeť madla | Handle grip |
| 120 | ES-012 | Páka natáčení kartáče | Brush position lever |
| 122 | SG-038 | Pouzdro | Bushing |
| 123 | SG-012 | Domeček | Fixed seat |
| 124 | SG-039 | Drážková hřídel | Spline shaft |
| 125 | SG-066 | Kardanová hřídel | Cardan shaft |
| 126 | SG-034 | Hnací hřídel převodovky | Driving shaft |
| 127 | SG-033 | Ozubené kolo | Gear |
| 128 | SG-041 | Výstupní hřídel převodovky | Output shaft |
| 129 | SG-077 | Skříň převodovky | Gearbox case |
| 131 | SG-053HJ | Fixační deska | Fixing board |
| 132 | SG-051HJ | Fixační deska spodní | Lower fixed plate |
| 133 | SG-052HJ | Fixační deska horní | Upper fixed plate |
| 136 | SG-019 | Levá deska | Left board |
| 137 | SG-020 | Pravá deska | Right board |
| 138 | 868000138 | Osa kartáče | Brush support axle |

| Position | Part number | Název | Name |
|----------|--------------|----------------------------|------------------------------|
| 139 | SG-031 | Vymezovací pouzdro kartáče | Distance bushing |
| 140 | SG-025 | Koncová příruba kartáče | Brush pressing plate |
| 141 | 553SX1029 | Gufero 25x40x7 | Oil seal 25x40x7 |
| 142 | 861610168 | Rám | Frame |
| 143 | SG-035-4 | Pomocné kolečko | Front small wheel |
| 146 | SG-015 | Držák | Fixing plate |
| 147 | SG-054HJ | Fixační deska | Fixing board |
| 148 | SG-085HJ | Rám krytu kartáče | Brush cover frame |
| 149 | 868000149 | Kryt kartáče | Brush main cover |
| 150 | SG-076 | Pouzdro | Bushing |
| 151 | S-06*12 | Šroub M6x12 | |
| 152 | NF-001-14-3B | Pružina napínačku | Tensioner spring |
| 157 | S-10*65 | Šroub M10x65 | Bolt M10x65 |
| 158 | SG-055 | Pouzdro | Bushing |
| 160 | 861600031 | Pružina kolečka | Small wheel spring |
| 162 | 861610169 | Pružina | Spring |
| 163 | S-08*30 | Šroub M8x30 | Bolt M8x30 |
| 164 | 6003 | Ložisko 6003 | Bearing 6003 |
| 165 | 6005 | Ložisko 6005 | Bearing 6005 |
| 167 | S-10*30 | Šroub M10x30 | Bolt M10x30 |
| 168 | PK-17 | Pojistný kroužek 17 | Circlip 17 |
| 169 | NJ-02 | Závlačka | Cotter pin |
| 170 | C-01-09 | Pružina | Spring |
| 171 | P-08 | Podložka 8 | Washer 8 |
| 172 | S-08*70 | Šroub M8x70 | Bolt M8x70 |
| 174 | 861610201 | Čep | Pin |
| 175 | S-06*16 | Šroub M6x16 | Bolt M6x16 |
| 176 | P-10 | Podložka 10 | Washer 10 |
| 178 | SG-090 | Čep | Pin |
| 180 | SJ-047-12 | Gumový doraz páky | Rubber cap |
| 181 | SJ-028 | Podložka | Washer |
| 182 | P-06 | Podložka 6 | Washer 6 |
| 183 | 868000183 | Držák pravého kolečka | Support of right small wheel |
| 184 | 868000184 | Držák levého kolečka | Support of left small wheel |
| 185 | S-06*16 | Šroub M6x16 | Bolt M6x16 |
| 187 | SJ-122 | Světlo | Lamp |
| 188 | S-08*20 | Šroub M8x20 | Bolt M8x20 |

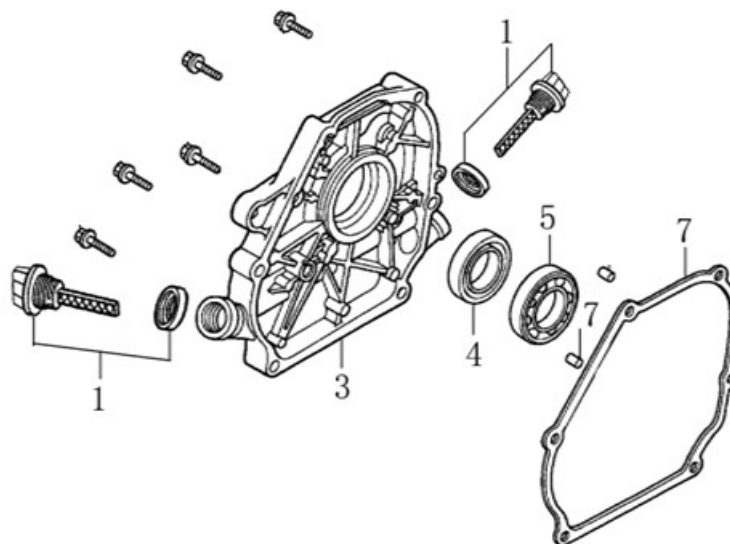
| Position | Part number | Název | Name |
|----------|-------------|---------------------------------|-------------------------------------|
| 189 | S-10*20 | Šroub M10x20 | Bolt M10x20 |
| 190 | PP-10 | Pružná podložka 10 | Spring washer 10 |
| 193 | S-08*25 | Šroub M8x25 | Bolt M8x25 |
| 194 | SG-081-2 | Kuželový kartáč (2ks na stroji) | Bevel brush (2pcs total on machine) |
| 197 | 868000197 | Páka | Crank handle |
| 210 | 861600080 | Převodovka | Gearbox |



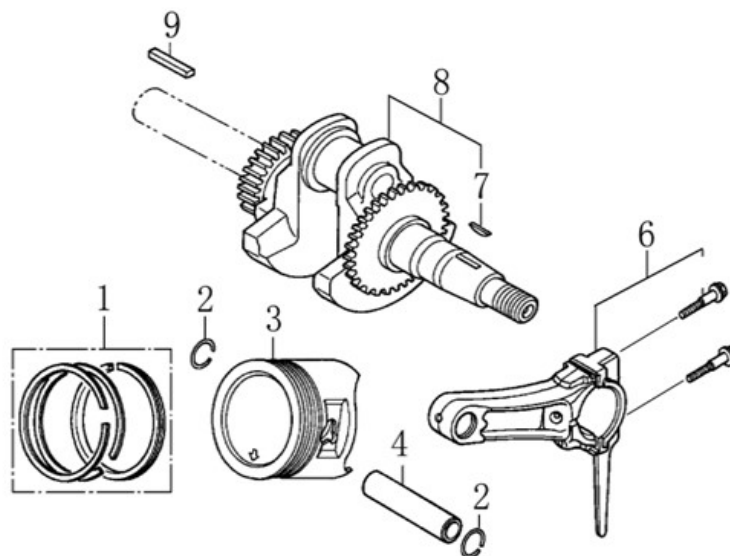
| Position | Part number | Name |
|----------|----------------|----------------------------|
| 1 | 120080276-0001 | Cylinder head |
| 2 | 380180093-0001 | Stud bolt M6x113 |
| 4 | 120150070-0001 | Cylinder head gasket |
| 5 | 380180098-0001 | Stud bolt M8x34 |
| 6 | A969P | Spark plug |
| 8 | 120250013-0001 | Cylinder head cover gasket |
| 9 | 120220008-0001 | Cylinder head cover |



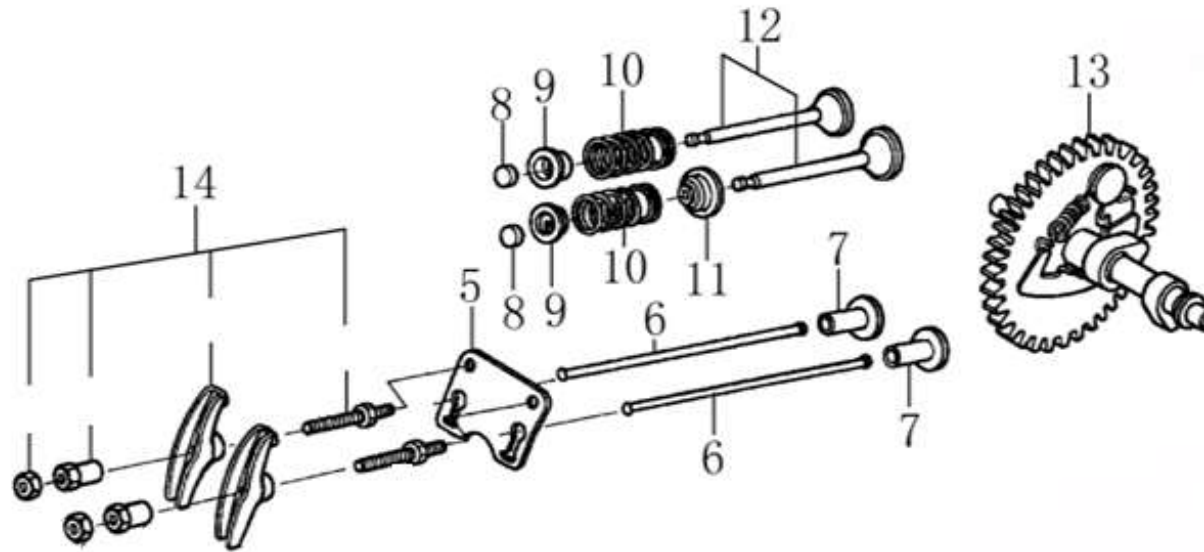
| Position | Part number | Name |
|----------|----------------|------------------------|
| 2 | 380650490-0001 | Oil seal 25x41,25x6 |
| 3 | 380450514-0001 | Washer |
| 4 | 110260025-0001 | Bolt M10x15 |
| 5 | 281890003-0001 | Oil sensor |
| 7 | 281850160-0001 | Oil level switch |
| 9 | 171750002-0001 | Governor gear assembly |
| 10 | 6205 | Bearing 6205 |
| 13 | 171630001-0001 | Governor control rod |



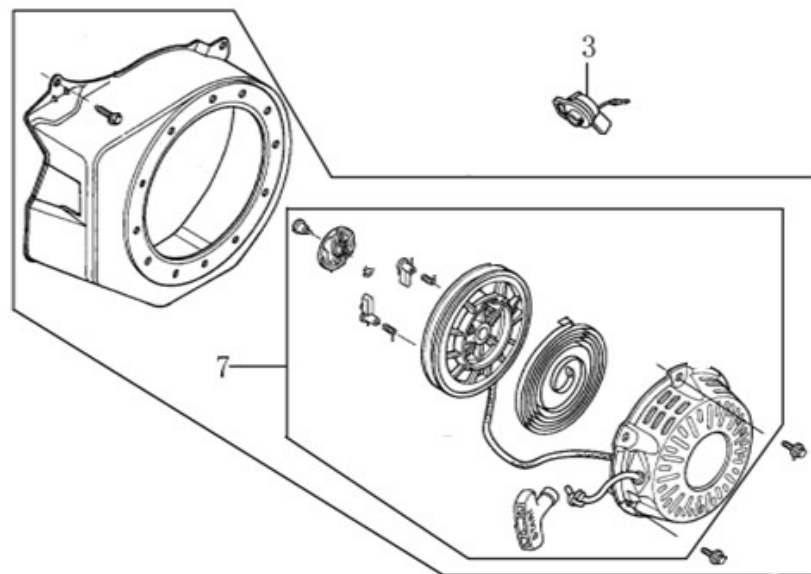
| Position | Part number | Name |
|----------|----------------|---------------------|
| 1 | 110690035-0001 | Oil dipstick |
| 3 | 110820014-0001 | Crankcase cover |
| 4 | 380650491-0001 | Oil seal 25x41,25x6 |
| 5 | 6205 | Bearing 6205 |
| 7 | 110830007-0001 | Crankcase gasket |



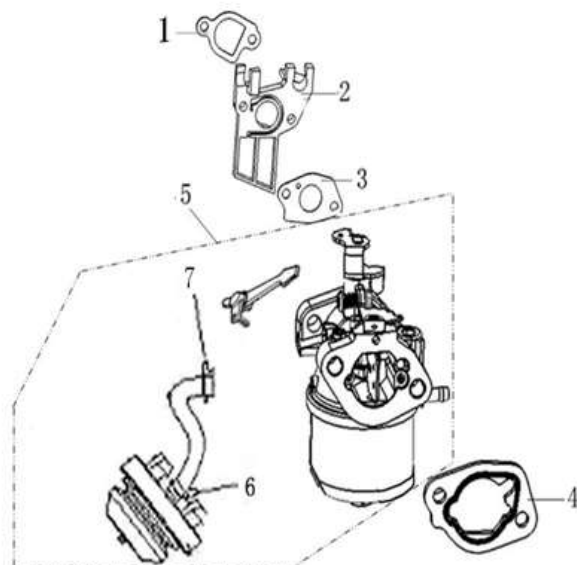
| Position | Part number | Name |
|----------|----------------|-----------------|
| 1 | 130070079-0001 | Piston ring set |
| 2 | 380560056-0001 | Piston pin clip |
| 3 | 130030083-0001 | Piston |
| 4 | 130060031-0001 | Piston pin |
| 6 | 130150039-0001 | Connecting rod |
| 7 | 380620050-0001 | Woodruff key |
| 8 | 130290221-0001 | Crankshaft |
| 9 | 380620075-0001 | Key 4,7x4,7x70 |



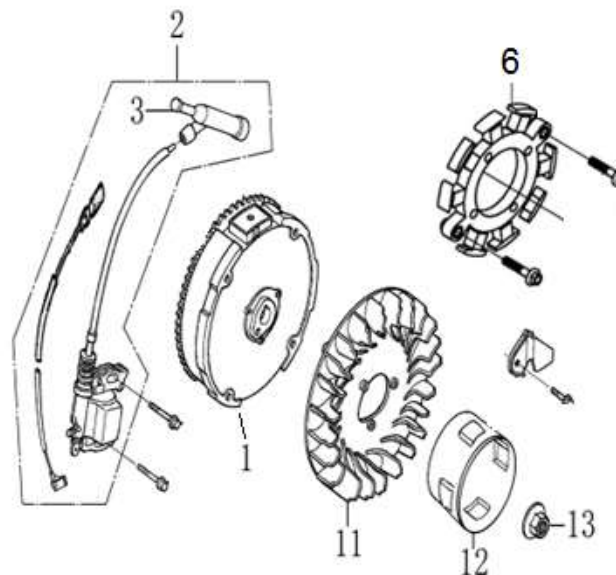
| Position | Part number | Name |
|----------|----------------|-------------------|
| 5 | 140710001-0001 | Valve guide plate |
| 6 | 140670004-0001 | Valve pushing rod |
| 7 | 140690003-0001 | Valve lifter |
| 8 | 140320001-0001 | Valve rotator |
| 9 | 140380017-0001 | Valve spring seat |
| 10 | 140340022-0001 | Valve spring |
| 11 | 140400011-0001 | Valve gasket |
| 12 | 500550024-0001 | Valve set |
| 13 | 140020040-0001 | Camshaft |
| 14 | 140450022-0001 | Arm comp. |



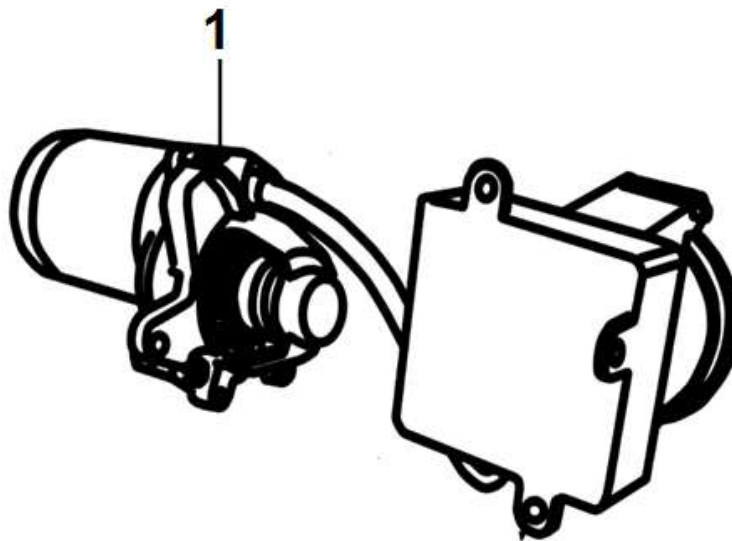
| Position | Part number | Name |
|----------|----------------|--------------------------|
| 3 | 271660038-0001 | Switch assy, engine stop |
| 7 | 012021500002 | Starter assembly |



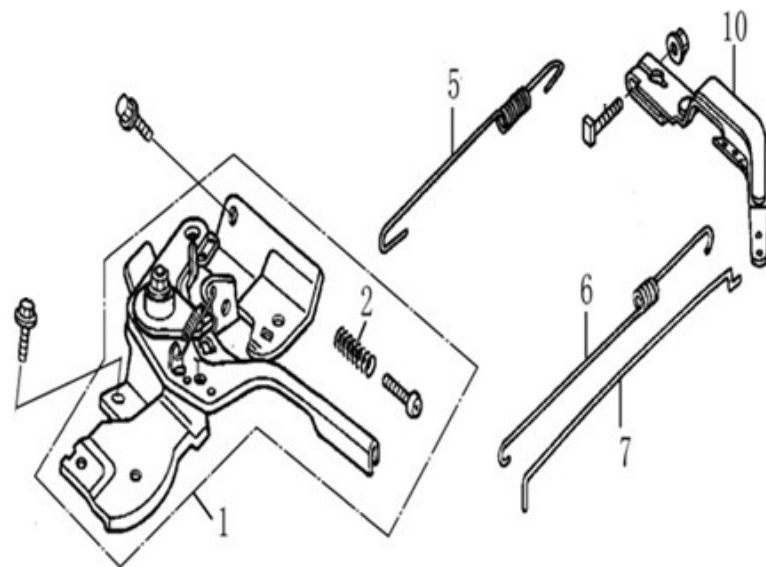
| Position | Part number | Název | Name |
|----------|----------------|------------------------|----------------------|
| 1 | 170430060-0001 | Těsnění sání | Insulator gasket |
| 2 | 170440038-0001 | Příruba karburátoru | Carburetor insulator |
| 3 | 170430048-0001 | Těsnění karburátoru | Carburetor gasket |
| 4 | 170430065-0001 | Těsnění vzduch. filtru | Air filter gasket |
| 5 | 170021087-0001 | Karburátor kompletní | Carburetor |
| 6 | 113300-369000 | Primer | Fuel pump |
| 7 | 380750461-T040 | Palivová hadička | Fuel tube |



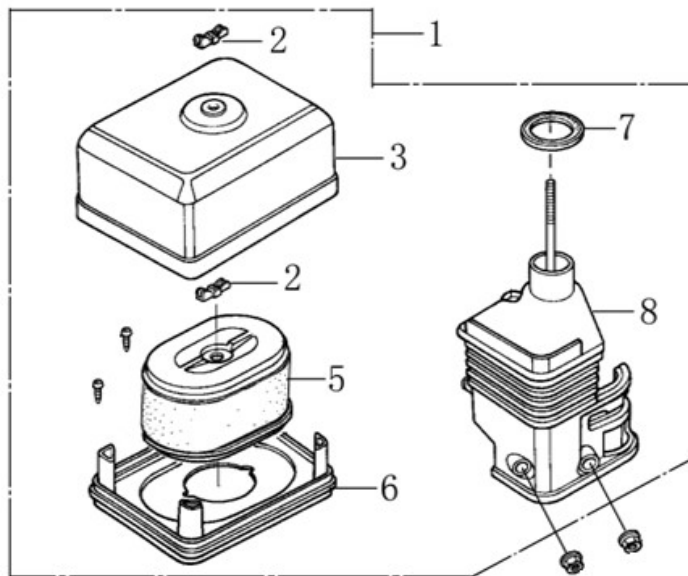
| Position | Part number | Name |
|----------|----------------|---------------------|
| 2 | 270920180-0001 | Coil ignition |
| 3 | 270950042-0001 | Spark plug cap |
| 5 | 270020161-0001 | Flywheel |
| 6 | 270210040-0001 | Charge coil |
| 11 | 160180007-0001 | Fan |
| 12 | 193590005-0001 | Starter idle pulley |
| 13 | 380370051-0001 | Nut M14x1,5 |



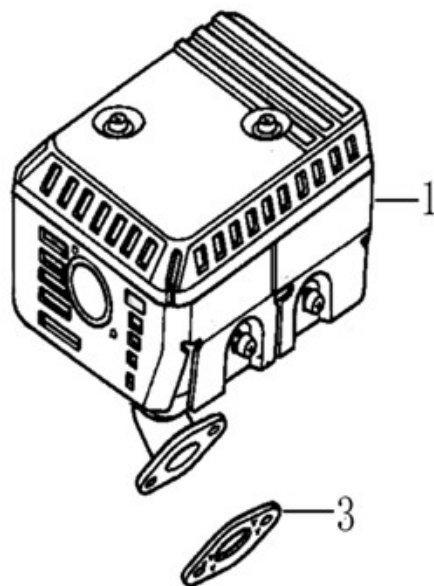
| Position | Part number | Name |
|----------|----------------|------------------|
| 1 | 270360029-0001 | Electric starter |



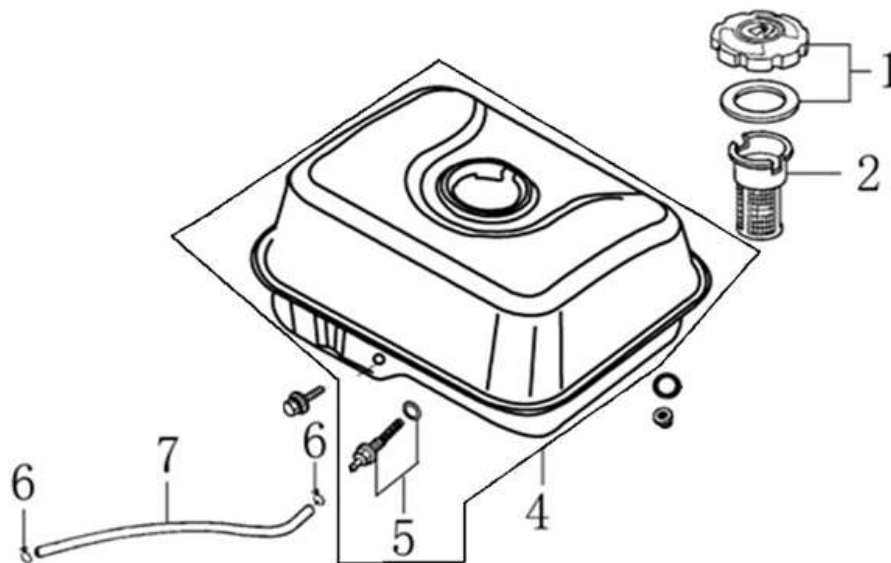
| Position | Part number | Name |
|----------|----------------|---------------------|
| 1 | 171680028-0001 | Governor board |
| 2 | 171660001-0001 | Spring |
| 5 | 171600084-0001 | Return spring |
| 6 | 171610002-0001 | Governor rod spring |
| 7 | 171590002-0001 | Governor rod |
| 10 | 171620001-0001 | Governor lever |



| Position | Part number | Name |
|----------|----------------|------------------------|
| 1 | 180020462-0001 | Air cleaner assembly |
| 2 | 380440002-0001 | Butterfly nut M6 |
| 3 | 180070096-0001 | Air cleaner cover |
| 5 | 30-404 | Air filter element |
| 6 | 180330018-0001 | Air cleaner base |
| 7 | 380840437-0001 | Gasket |
| 8 | 180280001-0001 | Air cleaner elbow base |



| Position | Part number | Name |
|----------|----------------|-----------------|
| 1 | 180571318-0001 | Muffler |
| 3 | 180650065-0001 | Gasket, muffler |



| Position | Part number | Name |
|----------|----------------|-----------------|
| 1 | 170870040-0001 | Fuel tank cap |
| 2 | 170720001-0001 | Fuel tank sieve |
| 4 | 170500997-0003 | Fuel tank |
| 5 | 170660077-0001 | Fuel filter |
| 6 | 380950188-0001 | Fuel tube clip |
| 7 | 380750180-0001 | Fuel tube |